

JDF-4S

33.1" x 25.5" x 15.7"
(84.1cm x 64.8cm x 39.9cm)



- Patented High Intensity Mixing System delivers consistent quality in the cup --- cup after cup, from the top of the cup to the bottom
- 7" (17.8cm) cup clearance accommodates most juice containers
- Both push-and-hold dispense and optional single size portion control dispense available in the same machine
- Quick dispense with 1.0 to 1.5oz (29.6 to 44.4ml) per second flow rate
- One dispenser delivers both frozen and ambient products, to maximize profitability by providing greater flexibility in product offerings
- 18lb (8.2 kg) ice bank provides superior cold drink capacity
- Door lock standard
- Service friendly design makes set up and maintenance simple

Agency:

 Servers and airpots sold separately

Specifications

Product #: 37300.0000

Flavors: 4 Flavors

Water Access: Plumbed

Finish: Black

Door: Un-Lit

Refrigerant: R-134A

Ice Bank: 18.00 lbs (8.165 kgs)

Dispense: Push Button

Dispense: Single Size Portion Control

Additional Features

Electrical & Capacity

Volts	Amps	Watts	Cord Attached	Plug Type	8oz cups/hr 236ml cups/hr	Input H ² O Temp.	Phase	# Wires plus Ground	Hertz
120	6	720	-	-	-	60°F (15.5°C)	1	2	60

Plumbing Requirements

PSI	kPa	Fitting Supplied	Water Flow Required (GPM)
20-100	138-689	3/8" Male Flare Fitting	-

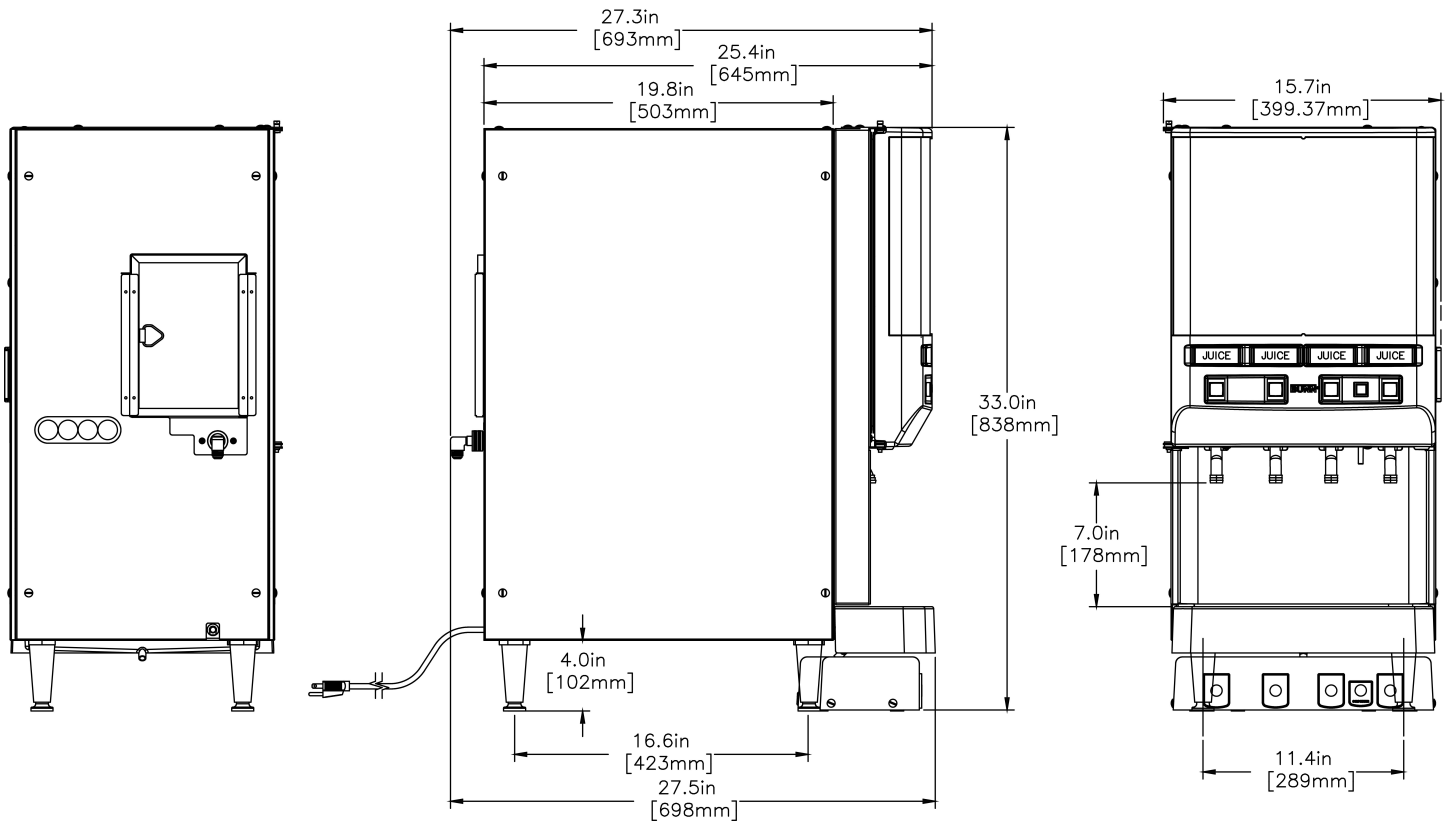
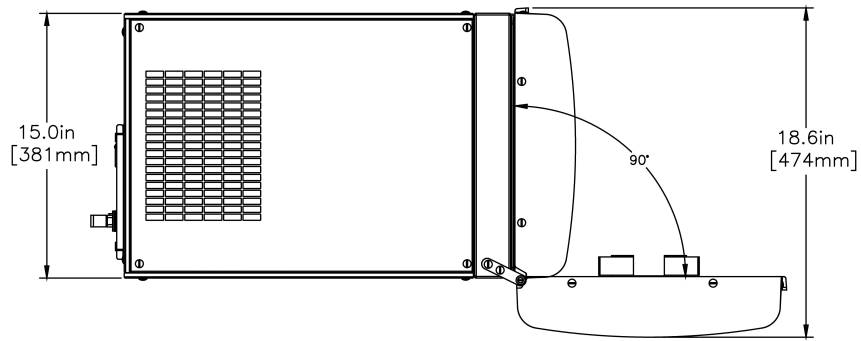
CAD Drawings

2D	Revit	KLC
●		



BUNN® reserves the right to change specifications and product design without notice. Such revisions do not entitle the buyer to corresponding changes, improvements, additions or replacements for previously purchased equipment. For most current specifications and other info visit bunn.com.

Created on:
06/30/2017




Unit			Shipping					
	Width	Height	Depth	Width	Height	Depth	Weight	Volume
English	15.7 in.	33.1 in.	25.5 in.	-	-	-	141.860 lbs	-
Metric	39.9 cm	84.1 cm	64.8 cm	-	-	-	64.348 kgs	-



BUNN® reserves the right to change specifications and product design without notice. Such revisions do not entitle the buyer to corresponding changes, improvements, additions or replacements for previously purchased equipment. For most current specifications and other info visit bunn.com.

Created on:
06/30/2017

Related Products & Accessories: JDF-4S(37300.0000)



KIT, AMBIENT CONC
CVRSN JDF-4

Product #: 33699.0001

MANGUERAS

Product #: 33699.0001



WATER FILTER,
EQHP-10

Product #: 39000.0004



CARTRIDGE,
EQHP-10CRTG

Product #: 39000.1004



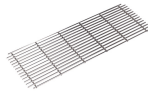
CONTAINER ASSY,
REFILLABLE

Product #: 39302.0000



CONTENEDOR

Product #: 39302.0000



WIRE GRILL, DRIP TRAY
(JDF-4S)

Product #: 39613.0000



TRAY, EXTENDED DRIP
JDF-4S

Product #: 40789.1000



BUNN® reserves the right to change specifications and product design without notice. Such revisions do not entitle the buyer to corresponding changes, improvements, additions or replacements for previously purchased equipment. For most current specifications and other info visit bunn.com.

Created on:
06/30/2017

Serving & Holding Options: JDF-4S(37300.0000)

Serving and Holding selections are currently unavailable. Please contact your sales representative to find out more information.



BUNN® reserves the right to change specifications and product design without notice. Such revisions do not entitle the buyer to corresponding changes, improvements, additions or replacements for previously purchased equipment. For most current specifications and other info visit bunn.com.

Created on:
06/30/2017