

DUAL SH DBC SST

35.8" x 21.2" x 18.0"
(90.9cm x 53.8cm x 45.7cm)



Servers and airpots sold separately

- Brews 1/2, 1 or 1 1/2 gallon (1.9, 3.8 or 5.7L) batches
- Brews up to 19.3gallons (73.1L) of perfect coffee per hour
- No hot surfaces in coffee holding area
- Reduce accidents with safety features that decrease hot splashes from funnel, eliminate brewing when funnel or server is not present
- Patented server heat control automatically shuts off once target temperature is reached (Can be set to 175°-190°F (79.4°-87.8°C))
- Simplify installation and calibration by creating your own recipe cards and dedicated funnels with the BrewWISE Recipe Writer using your PC (Windows® compatible).
- SplashGard® funnels deflect hot liquids away from the hand
- Energy saver mode reduces tank temperature during idle periods
- Operate any combination of BrewWISE equipment error-free with wireless brewer-grinder interface through Smart Funnel with SplashGard®
- Stores individual coffee and flavor profiles using adjustable water volume, bypass percentage, pulse brew, and pre-infusion timing
- Troubleshoot all switches and electrical components from the front panel with advanced diagnostic service tools

Agency:



Specifications

Product #: 33500.0000

Faucet: Upper

Water Access: Plumbed

Interface: Wireless

Finish: Stainless

Funnel: Smart Funnel

Additional Features

BUNNLINK Compatible

BrewWISE

Electrical & Capacity

Volts	Amps	Watts	Cord Attached	Plug Type	8oz cups/hr 236ml cups/hr	Input H ₂ O Temp.	Phase	# Wires plus Ground	Hertz
120/208-240	23.9-29.1	4980-6800	No	-	309	60°F (15.5°C)	1	3	60

Plumbing Requirements

PSI	kPa	Fitting Supplied	Water Flow Required (GPM)
20-90	138-621	1/4" Male Flare Fitting	-

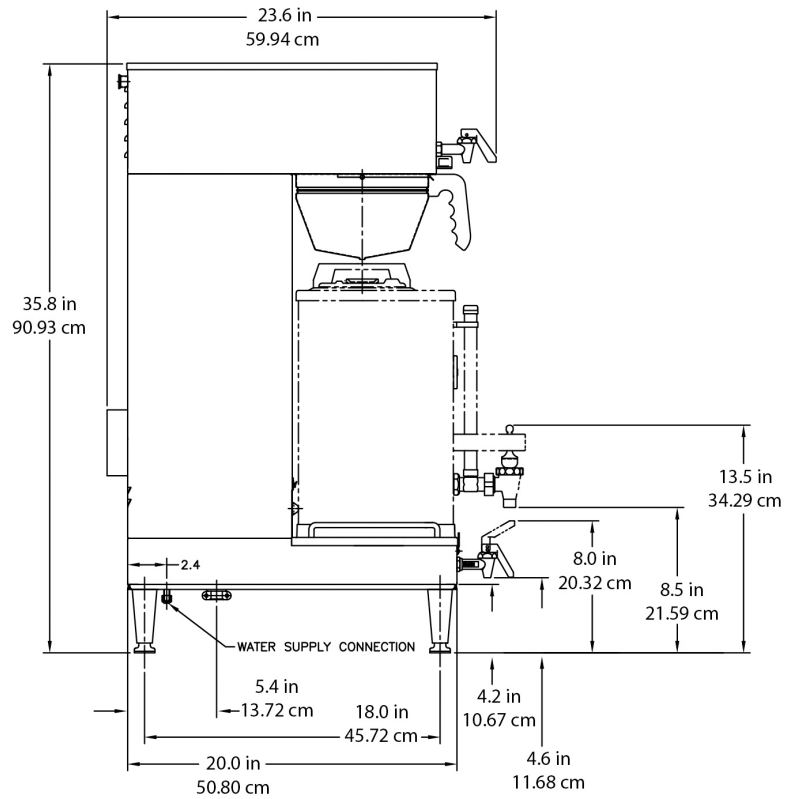
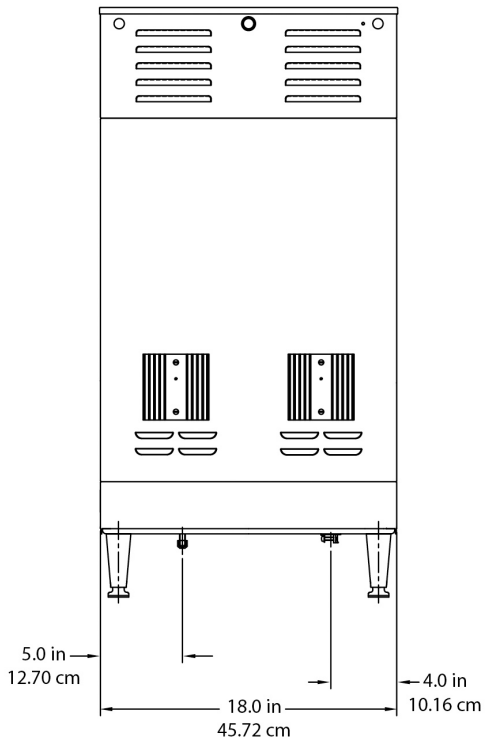
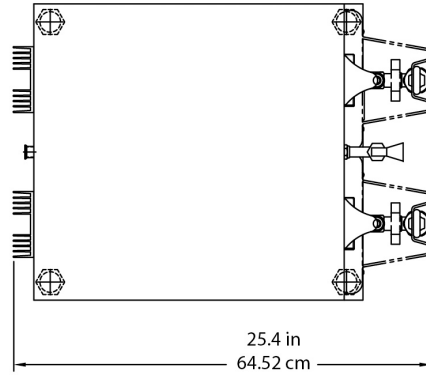
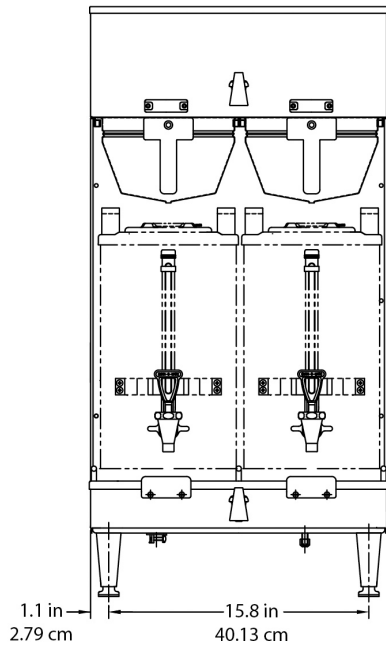
CAD Drawings

2D	Revit	KLC
●		



BUNN® reserves the right to change specifications and product design without notice. Such revisions do not entitle the buyer to corresponding changes, improvements, additions or replacements for previously purchased equipment. For most current specifications and other info visit bunn.com.

Created on:
07/05/2017



	Unit			Shipping				
	Width	Height	Depth	Width	Height	Depth	Weight	Volume
English	18.0 in.	35.8 in.	21.2 in.	-	-	-	89.250 lbs	12.399 ft³
Metric	45.7 cm	90.9 cm	53.8 cm	-	-	-	40.484 kgs	0.351 m³



BUNN® reserves the right to change specifications and product design without notice. Such revisions do not entitle the buyer to corresponding changes, improvements, additions or replacements for previously purchased equipment. For most current specifications and other info visit bunn.com.

Created on:
07/05/2017

Related Products & Accessories: DUAL SH DBC SST(33500.0000)



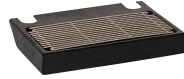
FILTERS, GOURMET 500
500/1 50/CL

Product #: 20138.1000



PAPEL FILTRANTE

Product #: 20138.1000



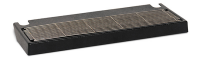
DRIP TRAY KIT, SINGLE
STD & SH

Product #: 26830.0000



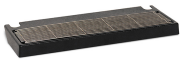
CHAROLA CON
ACCESORIOS

Product #: 26830.0000



DRIP TRAY KIT, DUAL &
SH

Product #: 27150.0000



CHAROLA CON
ACCESORIOS

Product #: 27150.0000



1SH STAND, 120V

Product #: 27825.0000



BASE

Product #: 27825.0000



1SH STAND, 120V BLK

Product #: 27825.0003



2SH STAND, 120V

Product #: 27875.0000



BASE

Product #: 27875.0000



2SH STAND, 120V BLK

Product #: 27875.0003



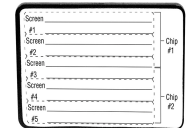
BREWWISE RECIPE
WRITER

Product #: 34444.0000



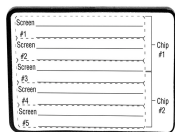
CARD ASSY, RECIPE
TRANSFER (BRW)

Product #: 34447.0000



CARD ASSY,
TRANSFER-AD (BRW)

Product #: 34448.0000



TARJETA

Product #: 34448.0000



WATER FILTER,
EQHP-25L

Product #: 39000.0002



WATER FILTER,
EQHP-25

Product #: 39000.0005



BUNN® reserves the right to change specifications and product design without notice. Such revisions do not entitle the buyer to corresponding changes, improvements, additions or replacements for previously purchased equipment. For most current specifications and other info visit bunn.com.

Created on:
07/05/2017

Serving & Holding Options: DUAL SH DBC SST(33500.0000)



SH SERVER, 1.5G/5.7L
NO FL ADJ TMR

Product #:27850.0001



CONTENEDOR

Product #:27850.0001



SH SERVER, 1.5G/5.7L
BLK NO FL ADJ TMR

Product #:27850.0004



SH SERVER, 1.5G/5.7L
45 MIN ADJ TMR

Product #:27850.0006



SH SERVER, 1.5G BLK
60 MIN ADJ TMR

Product #:27850.0008



SH SERVER, 1.5G 120
MIN ADJ TMR AUTO OFF

Product #:27850.0009



SH SERVER, 1.5G/5.7L
240 MIN ADJ TMR

Product #:27850.0016



CONTENEDOR

Product #:27850.0016



SH SERVER, 1.5G/5.7L
BLK 120 MIN ADJ TM

Product #:27850.0022



CONTENEDOR

Product #:27850.0022



SH-S SERVER 1G 60
MIN ADJ TMR

Product #:27850.0046



CONTENEDOR

Product #:27850.0046



BUNN® reserves the right to change specifications and product design without notice. Such revisions do not entitle the buyer to corresponding changes, improvements, additions or replacements for previously purchased equipment. For most current specifications and other info visit bunn.com.

Created on:
07/05/2017