

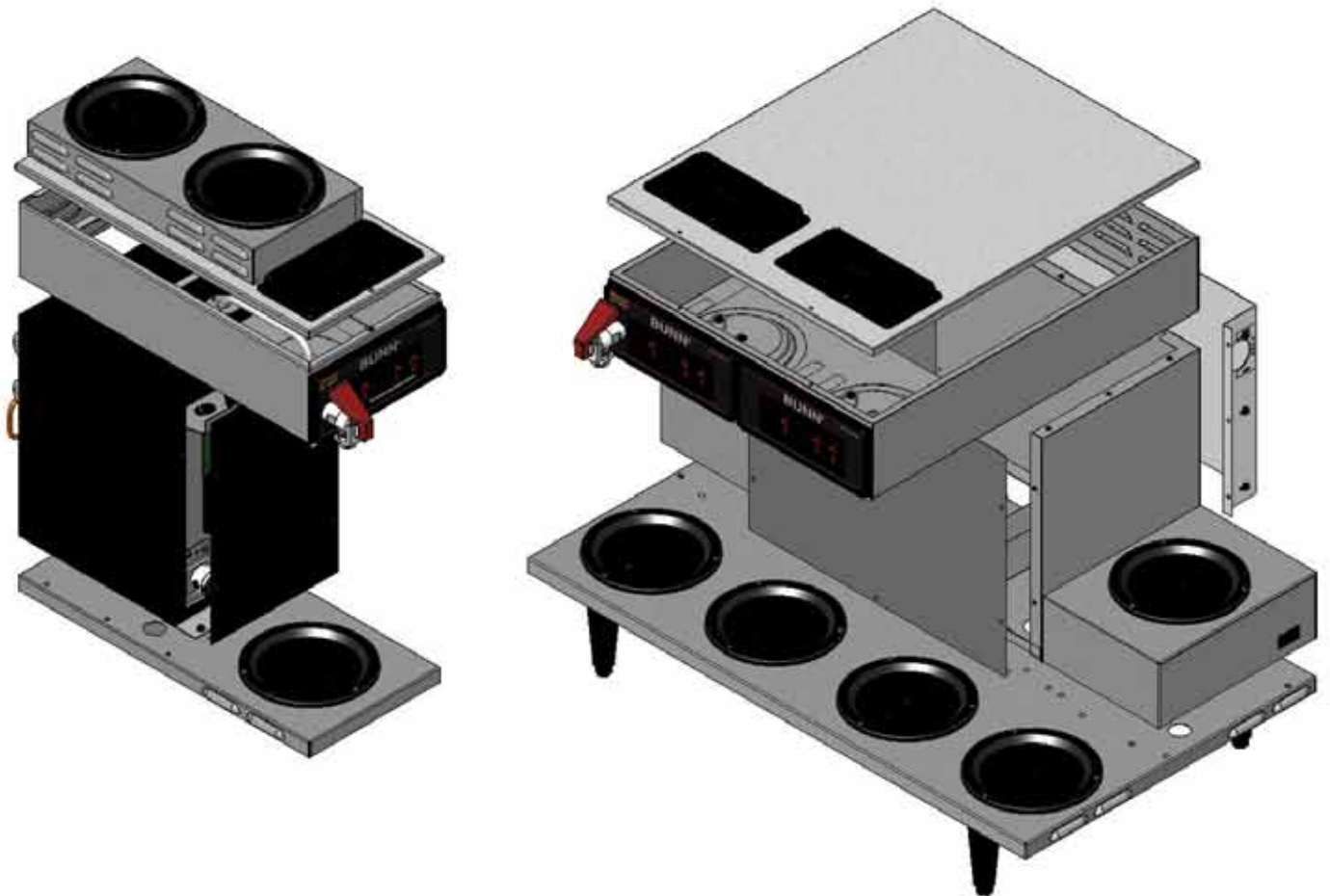
BUNN[®] *C, CT, CW, CWTF* *Series*

*Including DV, MV, Pourover,
APS/TC/TS, Twins & Single CW*

Supersedes Illustrated Parts Catalogs:

10716.####; 10789.####; 10790.0000;

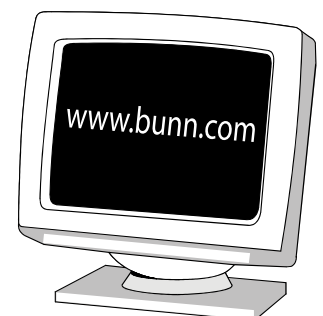
10834.0000; 10895.0000; 33175.0000; 35279.0000



ILLUSTRATED PARTS CATALOG

Designs, materials, weights, specifications, and dimensions for equipment or replacement parts are subject to change without notice.

BUNN-O-MATIC CORPORATION
POST OFFICE BOX 3227
SPRINGFIELD, ILLINOIS 62708-3227
PHONE: (217) 529-6601 FAX: (217) 529-6644



BUNN-O-MATIC COMMERCIAL PRODUCT WARRANTY

Bunn-O-Matic Corp. ("BUNN") warrants equipment manufactured by it as follows:

- 1) Airpots, thermal carafes, decanters, GPR servers, iced tea/coffee dispensers, MCP/MCA pod brewers thermal servers and Thermofresh servers (mechanical and digital)- 1 year parts and 1 year labor.
- 2) All other equipment - 2 years parts and 1 year labor plus added warranties as specified below:
 - a) Electronic circuit and/or control boards - parts and labor for 3 years.
 - b) Compressors on refrigeration equipment - 5 years parts and 1 year labor.
 - c) Grinding burrs on coffee grinding equipment to grind coffee to meet original factory screen sieve analysis - parts and labor for 4 years or 40,000 pounds of coffee, whichever comes first.

These warranty periods run from the date of installation BUNN warrants that the equipment manufactured by it will be commercially free of defects in material and workmanship existing at the time of manufacture and appearing within the applicable warranty period. This warranty does not apply to any equipment, component or part that was not manufactured by BUNN or that, in BUNN's judgment, has been affected by misuse, neglect, alteration, improper installation or operation, improper maintenance or repair, non periodic cleaning and descaling, equipment failures related to poor water quality, damage or casualty. In addition, the warranty does not apply to replacement of items subject to normal use including but not limited to user replaceable parts such as seals and gaskets. This warranty is conditioned on the Buyer 1) giving BUNN prompt notice of any claim to be made under this warranty by telephone at (217) 529-6601 or by writing to Post Office Box 3227, Springfield, Illinois 62708-3227; 2) if requested by BUNN, shipping the defective equipment prepaid to an authorized BUNN service location; and 3) receiving prior authorization from BUNN that the defective equipment is under warranty.

THE FOREGOING WARRANTY IS EXCLUSIVE AND IS IN LIEU OF ANY OTHER WARRANTY, WRITTEN OR ORAL, EXPRESS OR IMPLIED, INCLUDING, BUT NOT LIMITED TO, ANY IMPLIED WARRANTY OF EITHER MERCHANTABILITY OR FITNESS FOR A PARTICULAR PURPOSE. The agents, dealers or employees of BUNN are not authorized to make modifications to this warranty or to make additional warranties that are binding on BUNN. Accordingly, statements by such individuals, whether oral or written, do not constitute warranties and should not be relied upon.

If BUNN determines in its sole discretion that the equipment does not conform to the warranty, BUNN, at its exclusive option while the equipment is under warranty, shall either 1) provide at no charge replacement parts and/or labor (during the applicable parts and labor warranty periods specified above) to repair the defective components, provided that this repair is done by a BUNN Authorized Service Representative; or 2) shall replace the equipment or refund the purchase price for the equipment.

THE BUYER'S REMEDY AGAINST BUNN FOR THE BREACH OF ANY OBLIGATION ARISING OUT OF THE SALE OF THIS EQUIPMENT, WHETHER DERIVED FROM WARRANTY OR OTHERWISE, SHALL BE LIMITED, AT BUNN'S SOLE OPTION AS SPECIFIED HEREIN, TO REPAIR, REPLACEMENT OR REFUND.

In no event shall BUNN be liable for any other damage or loss, including, but not limited to, lost profits, lost sales, loss of use of equipment, claims of Buyer's customers, cost of capital, cost of down time, cost of substitute equipment, facilities or services, or any other special, incidental or consequential damages.

392, AutoPOD, AXIOM, BrewLOGIC, BrewMETER, Brew Better Not Bitter, BrewWISE, BrewWIZARD, BUNN Espresso, BUNN Family Gourmet, BUNN Gourmet, BUNN Pour-O-Matic, BUNN, BUNN with the stylized red line, BUNNlink, Bunn-O-Matic, Bunn-O-Matic, BUNNserve, BUNNSERVE with the stylized wrench design, Cool Froth, DBC, Dr. Brew stylized Dr. design, Dual, Easy Pour, EasyClear, EasyGard, FlavorGard, Gourmet Ice, Gourmet Juice, High Intensity, iMIX, Infusion Series, Intellisteam, My Café, Phase Brew, PowerLogic, Quality Beverage Equipment Worldwide, Respect Earth, Respect Earth with the stylized leaf and coffee cherry design, Safety-Fresh, savemycoffee.com, Scale-Pro, Silver Series, Single, Smart Funnel, Smart Hopper, SmartWAVE, Soft Heat, SplashGard, The Mark of Quality in Beverage Equipment Worldwide, ThermoFresh, Titan, trifecta, Velocity Brew, A Partner You Can Count On, Air Brew, Air Infusion, Beverage Bar Creator, Beverage Profit Calculator, Brew better, not bitter., BUNNSource, Coffee At Its Best, Cyclonic Heating System, Daypart, Digital Brewer Control, Nothing Brews Like a BUNN, Pouring Profits, Signature Series, Tea At Its Best, The Horizontal Red Line, Ultra are either trademarks or registered trademarks of Bunn-O-Matic Corporation.

TABLE OF CONTENTS

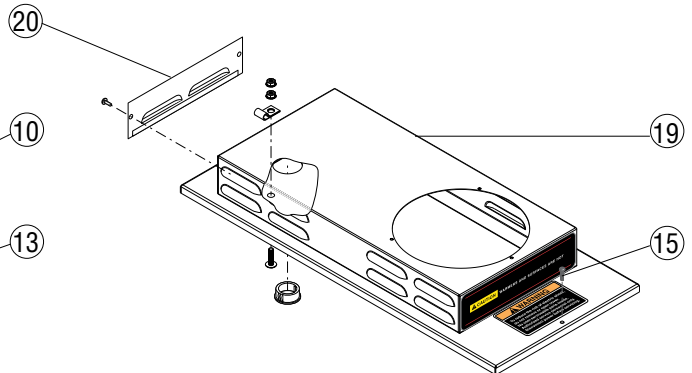
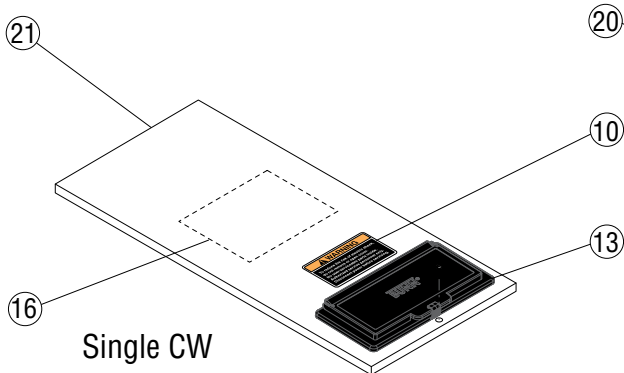
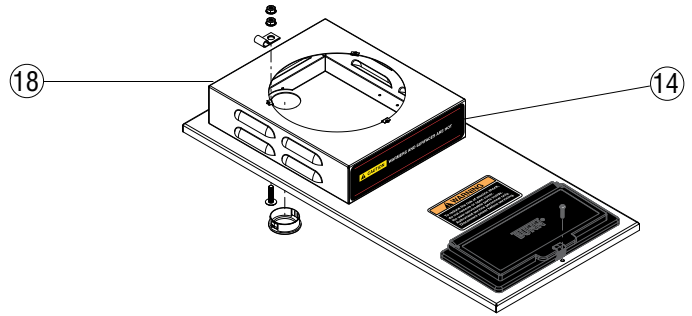
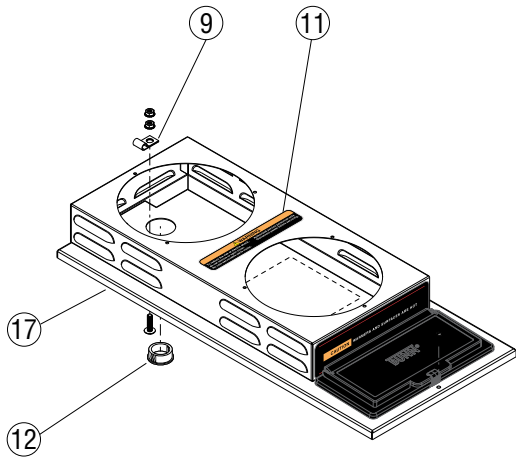
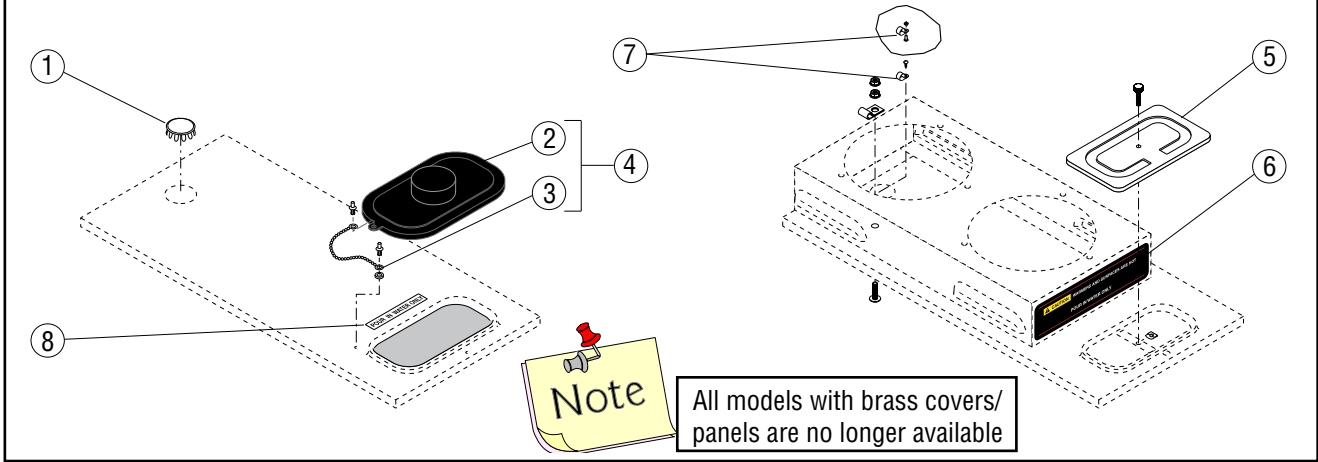
| | |
|--|----|
| TOP COVERS | 4 |
| HOOD ASSEMBLIES | 8 |
| TRUNKS..... | 10 |
| BASES..... | 16 |
| TANK AND COMPONENTS | 20 |
| FILL BASIN | 24 |
| MANIFOLDS-LATER TWINS..... | 26 |
| STRAINER/FLOW CONTROLS-EARLY TWINS..... | 28 |
| MANIFOLDS-LATER SINGLES..... | 30 |
| STRAINER/FLOW CONTROLS-SECOND STYLE SINGLES..... | 32 |
| STRAINER/FLOW CONTROLS-FIRST STYLE SINGLES..... | 34 |
| FILL SOLENOIDS | 36 |
| FAUCET | 38 |
| WARMER ASSEMBLIES..... | 40 |
| ELECTRICAL AND OPERATING CONTROLS | 42 |
| FUNNELS | 52 |
| NUMERICAL INDEX | 54 |

Explanation of codes:

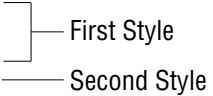

- 15** - All components in machine are rated for 120 Volts ac, (15 Amps)
- 20** - All components in machine are rated for 120 Volts ac, (20 Amps)
- 35 (120/240V)** - Tank heater rated for 240 volts ac, all other components rated for 120 volts ac (20 Amps)
- DV** - Dual Voltage. 2 tank heaters with toggle switch
- MV** - Multi Voltage. 2 tank heaters with terminal block. (Replaced by DV)
- A** - All components in machine are rated for 240 volts ac.
- B** - All components are rated for either 100 volts ac, or 200 volts ac.
- C** - Canadian models only
- CE** - European models only.
- TWIN** - 2 brewers in 1 chassis.
- APS** - Airpot Server (No warmers)
- TC** - Thermal Carafe (No warmers)
- TS** - Thermal Server (No warmers)

| Fraction | Decimal | | Fraction | Decimal |
|-------------|---------|--|--------------|---------|
| 1/16 | 0.063 | | 9/16 | 0.563 |
| 1/8 | 0.125 | | 5/8 | 0.625 |
| 3/16 | 0.188 | | 11/16 | 0.688 |
| 1/4 | 0.250 | | 3/4 | 0.750 |
| 5/16 | 0.313 | | 13/16 | 0.813 |
| 3/8 | 0.375 | | 7/8 | 0.875 |
| 7/16 | 0.438 | | 15/16 | 0.938 |
| 1/2 | 0.500 | | 1 | 1.000 |

Pour in lids for earlier models



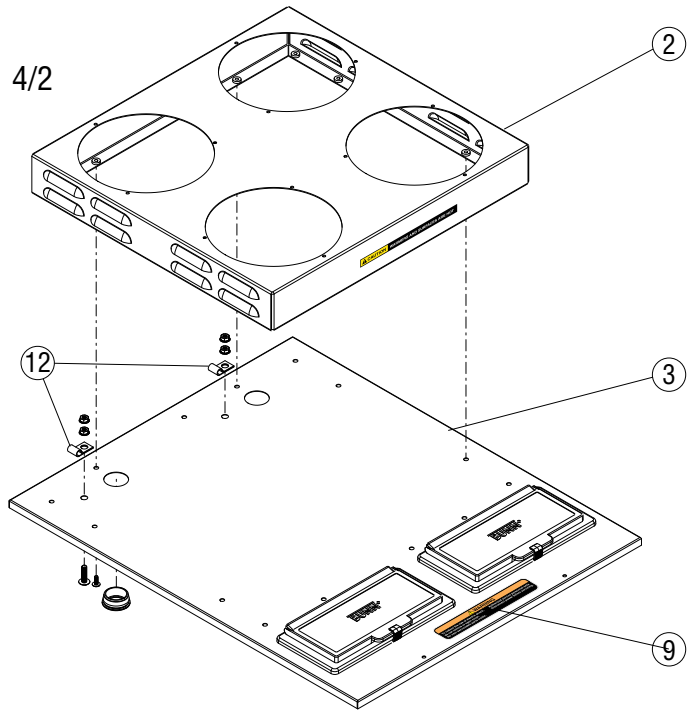
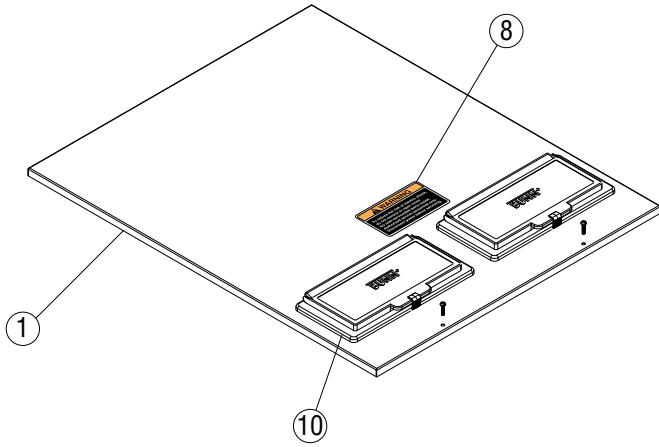
TOP COVER ASSEMBLIES-SINGLES

| ITEM | PART NO. | QTY. TWIN | QTY. SINGLE | DESCRIPTION |
|------|------------|--------------|----------------|---|
| 1 | 02999.0000 | - | 1 | Plug, SST 1.19" Dia. |
| 2 | 13110.0000 | - | 1 | Lid |
| 3 | 12978.0000 | - | 1 | Chain Assembly |
| 4 | 12981.0001 | - | 1 | Lid/Chain Kit (Includes # 2-3) |
| 5 | 02722.0000 | 2 | 1 | Lid, Pour-in SST |
| | 02722.0001 | 2 | 1 | Lid, Pour-in BLK |
| | 01319.0000 | 2 | 1 | SST thumbscrew # 8-32 x .75" |
| | 01319.0000 | 2 | 1 | BLK thumbscrew # 8-32 x .75" |
| | 00912.0000 | 2 | 1 | Fastener, "J" Type # 8-32 |
| 6 | 02763.0000 | - | 1 | Decal, Caution-Warmers and Surfaces are Hot - Pour in Water Only |
| 7 | 04831.0000 | 1 | 1 | Clamp |
| | 01315.0000 | 1 | 1 | Screw, Truss Head #8-32 x .375" |
| | 00908.0000 | 1 | 1 | Nut #8-32 |
| | 02332.0002 | 1 | 1 | Screw, Hex-crimptite #6-32 X .375" |
| | | | |  |
| 8 | 00833.0000 | - | 1 | Decal, Pour in Water Only |
| 9 | 41760.0000 | 2 | 1 | Clip, Cable - SST |
| | 01326.0007 | 2 | 1 | Screw, TRH SLTD 10-32x.75LG |
| | 00971.0000 | 4 | 2 | Nut, Keps #10-32 Zinc Pl |
| | | | |  |
| 10 | 37881.0000 | 1 | 1 | Decal, No User Serviceable Parts |
| 11 | 37881.0002 | - | 1 | Decal, No User Serviceable Parts |
| 12 | 01592.0000 | 2 | 1 | Bushing, Snap 1" Dia. |
| | 01592.0001 | 1 | 1 | Bushing, Snap 1.188" Dia. |
| 13 | 38498.1000 | 2 | 1 | Flip Lid Assembly w/Clip |
| 14 | 02765.0000 | 1 | - | Decal, Caution-Warmers are Hot |
| 15 | 01303.0000 | 2 | 1 | Screw, SST Panhead #4-40 x .5" |
| | 01303.0002 | 2 | 1 | Screw, BLK Panhead #4-40 x .5" |
| | 00916.0000 | 2 | 1 | Fastener, "J" Type # 4-40 |
| 16 | 28180.0000 | - | 1 | Decal, Multi Volt Heater Terminal Block Wiring Diagram |
| 17 | 38496.1002 | - | 1 | Top Cover Assy. 2 Warmer SST (Includes # 11-14) |
| | 40085.1000 | - | 1 | Top Cover Assy. 2 Warmer BLK |
| 18 | 38496.1000 | - | 1 | Top Cover Assy. 1 Warmer Rear SST (Includes # 11-14) |
| 19 | 25633.0002 | - | 1 | Top Cover Assy. 1 Warmer Front SST (Includes # 10, 12, 14) |
| 20 | 02732.0000 | - | 1 | Panel, Rear SST |
| | 01315.0000 | - | 1 | Screw, Truss Head #8-32 x .375" |
| 21 | 38503.1000 | - | 1 | Top Cover Assy. No Warmer SST (Includes # 10, 13) |
| | 38504.1000 | - | 1 | Top Cover Assy. No Warmer BLK (Includes # 10, 13) |

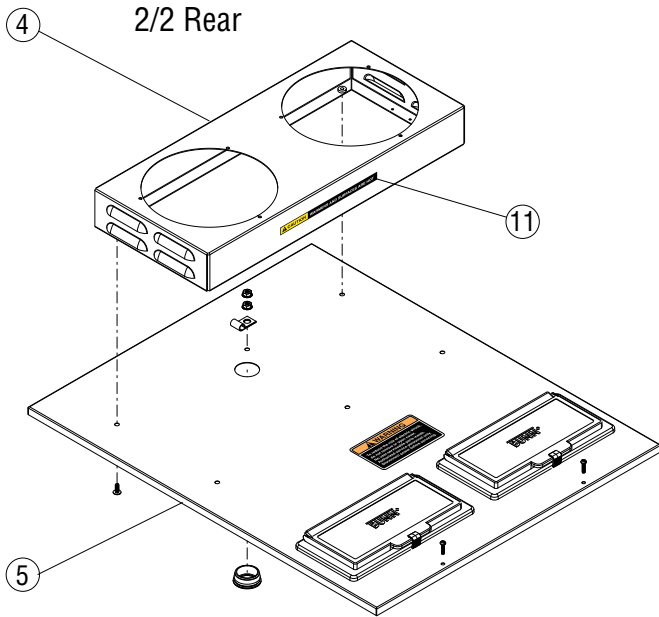
* Indicates the part number listed is for reference only.

All covers/housings include flip lids &/or decals as required.

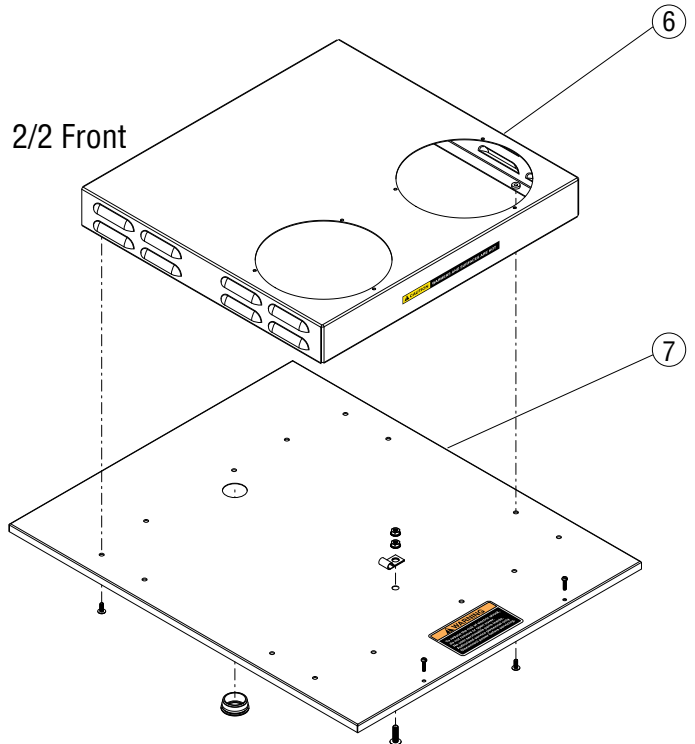
APS/TC & 0/6



2/2 Rear

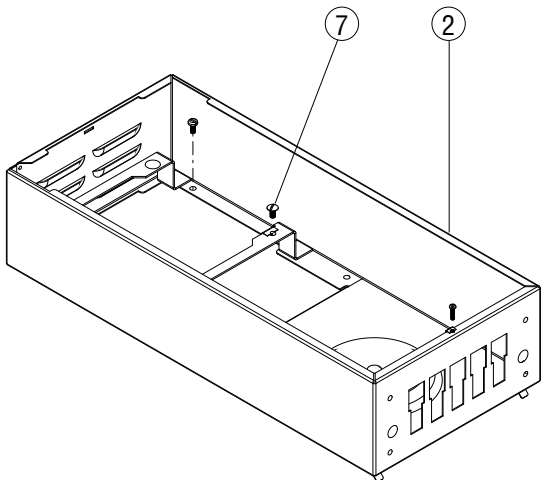
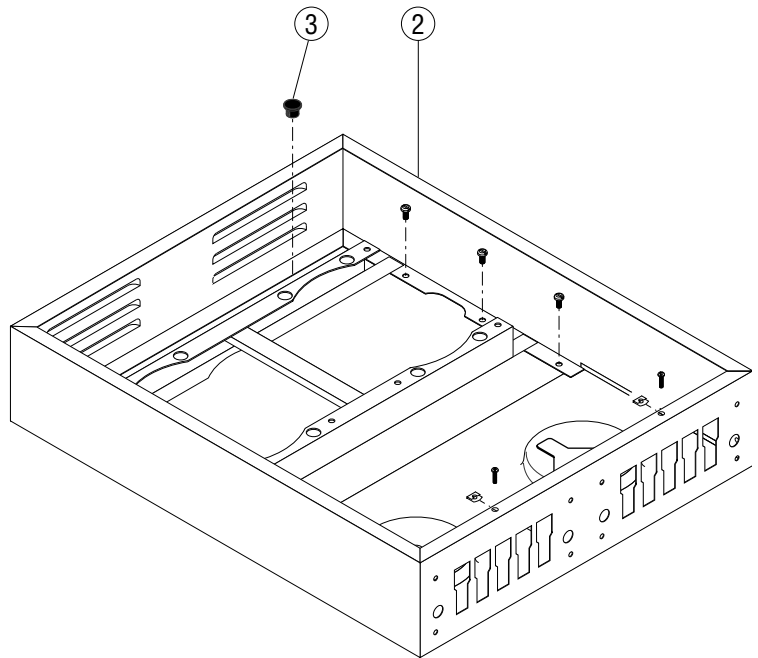
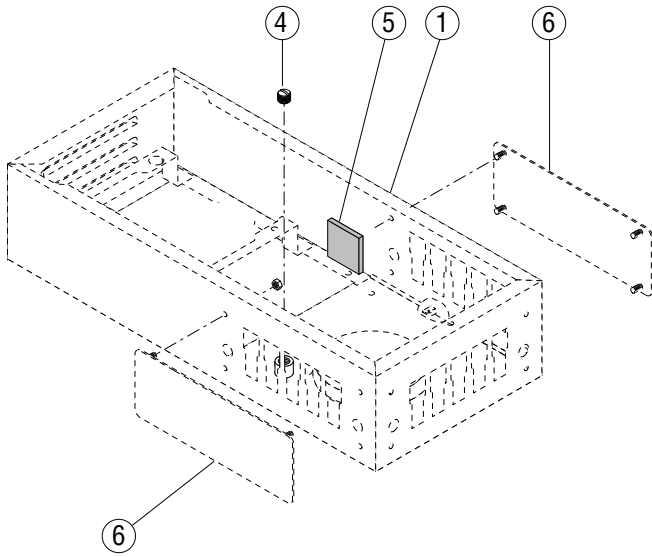


2/2 Front



TOP COVER ASSEMBLIES-TWINS

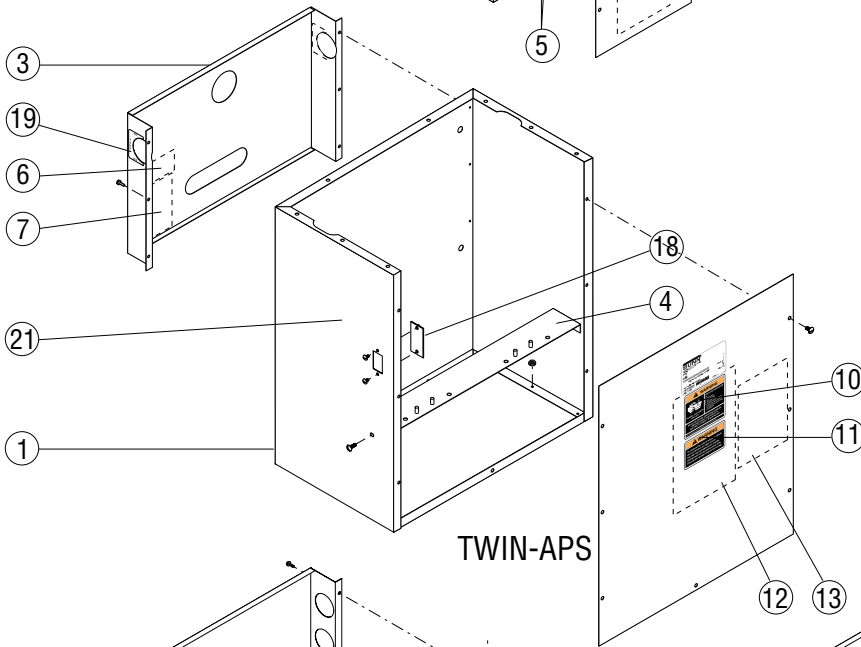
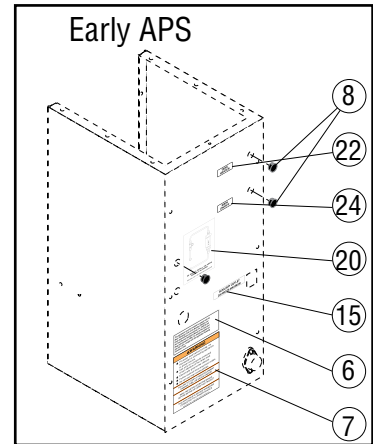
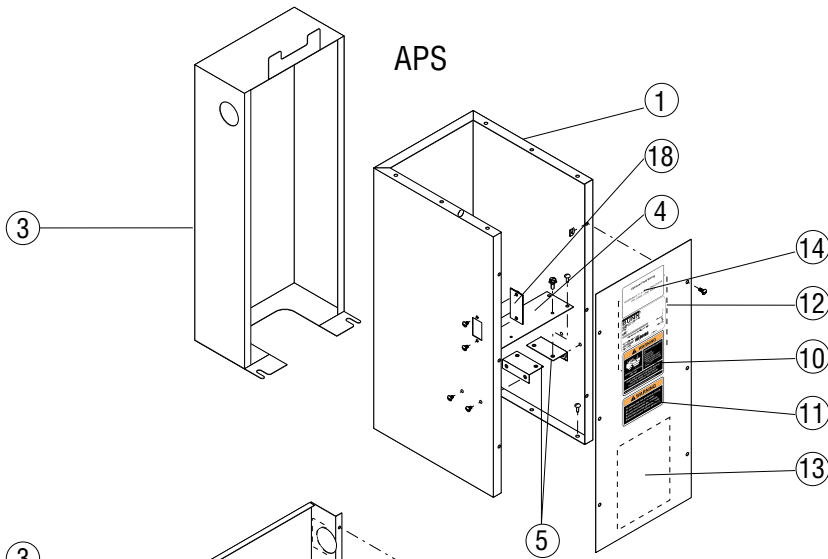
| ITEM | PART NO. | QTY. TWIN | QTY. SINGLE | DESCRIPTION |
|------|------------|--------------|----------------|--|
| 1 | 38707.1000 | 1 | - | Cover Assembly SST No Warmers (Incl # 8, 10) |
| | 38707.1003 | 1 | - | Cover Assembly BLK No Warmers (Incl # 8, 10) |
| 2 | 24254.0001 | 1 | - | Housing Assembly, SST 4/2 (Incl # 11) |
| | 01347.0000 | 10 | - | Screw, Truss Head #6-32 x .375" |
| 3 | 38707.1001 | 1 | - | Cover Assembly SST 4/2 (Incl # 9, 10) |
| 4 | 24254.0000 | 1 | - | Housing Assembly, SST 2/2 Rear (Incl # 11) |
| | 01347.0000 | 6 | - | Screw, Truss Head #6-32 x .375" |
| 5 | 38707.1002 | 1 | - | Cover Assembly SST 2/2 Rear (Incl # 8, 10) |
| 6 | 24254.0002 | 1 | - | Housing Assembly, SST 2/2 Front (Incl # 11) |
| | 01347.0000 | 10 | - | Screw, Truss Head #6-32 x .375" |
| 7 | 25864.0000 | 1 | - | Cover Assembly SST 2/2 Front (Incl # 8) |
| 8 | 37881.0000 | 1 | 1 | Decal, No User Serviceable Parts |
| 9 | 37881.0002 | 1 | 1 | Decal, No User Serviceable Parts |
| 10 | 38498.1000 | 2 | 1 | Flip Lid Assembly w/Clip |
| 11 | 12364.0000 | 1 | - | Decal, Caution-Warmers Are Hot |
| 12 | 41760.0000 | 2 | 1 | Clip, Cable - SST |
| | 01326.0007 | 2 | 1 | Screw, TRH SLTD 10-32x.75LG |
| | 00971.0000 | 4 | 2 | Nut, Keps #10-32 Zinc Pl |



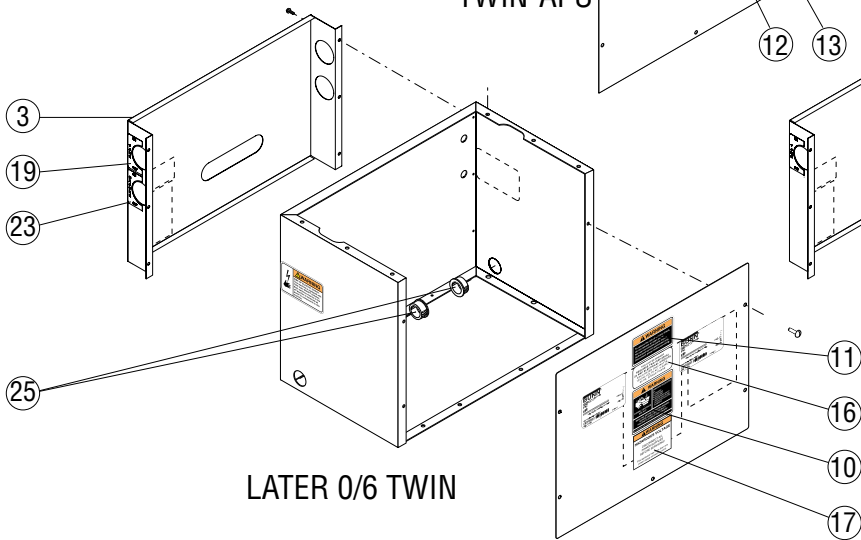
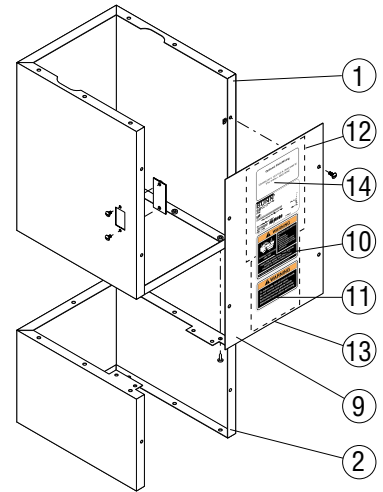
HOOD ASSEMBLIES

| ITEM | PART NO. | QTY. TWIN | QTY. SINGLE | DESCRIPTION |
|------------|--------------|--------------|-------------------|--|
| 1 | 13350.0008* | - | 1 | Housing, Hood SST (Early Style No Longer Available, Order # 2) |
| | 02308.0000 | - | 6 | Screw #8-32 x .375" (Hood to Trunk) |
| 2 | 13350.0006 | - | 1 | Housing, Hood SST (7.125" Narrow Funnel) CWTF, Single CW |
| | 13350.0016 | - | 1 | Housing, Hood BLK (7.125" Narrow Funnel) |
| | 13350.0011 | - | 1 | Housing, Hood SST (7.625" Wide Funnel) |
| | 23232.0000 * | 1 | - | Housing, Hood SST (7.125" Narrow Funnel) |
| | 23232.0002 * | 1 | - | Housing, Hood BLK (7.125" Narrow Funnel) |
| | 23232.0004 | 1 | - | Housing, Hood BLK (7.625" Wide Funnel) |
| | 23232.0005 | 1 | - | Housing, Hood SST (7.625" Wide Funnel) |
| | 02308.0000 | 6 | 6 | Screw #8-32 x .375" PNHD (Hood to Trunk) |
| | 01303.0000 | 2 | 1 | Screw #4-40 x .50" PNHD (Cover to Hood) |
| 00916.0000 | 2 | 1 | Clip J-Type #4-40 | |
| 3 | 00669.0003 | 1 | - | Plug BLK Nylon .438" Dia. (Brewers w/o Faucet) |
| 4 | 00462.0001 | - | 1 | Plug, Slotted Head .125" NPT (Early Models w/Vent Tube) |
| 5 | 03263.0002 | - | 1 | Sponge Pad w/Adhesive (First Type w/Top Mount Thermostat) |
| 6 | 12683.0000* | - | 2 | Cover, Blank (No Longer Available) |
| | 12683.0002* | - | 1 | Cover, w/Faucet Hole (No Longer Available) |
| | 02371.0000* | - | 8 | Nut, Thumb #6-32 (No Longer Available) |
| | 00973.0000 | - | 8 | Nut, Keps #6-32 (Later Models) |
| 7 | 01315.0000 | 4 | 2 | Screw #8-32 x .375" TRSHD (Tank Mount) |
| | 00912.0000 | 4 | 2 | Clip, J-Type #8-32 |

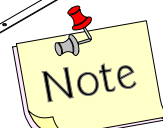
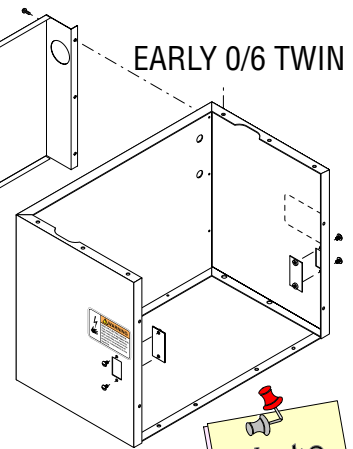
* Indicates the part number listed is for reference only.



Standard & TC



EARLY 0/6 TWIN



All models with receptacle and/or fuse (MV) are no longer available

TRUNKS

| ITEM | PART NO. | QTY. TWIN | QTY. SINGLE | DESCRIPTION |
|------------|------------|--------------|--|--|
| 1 | 34061.1006 | - | 1 | Trunk, SST, 11.69" Standard |
| | 34061.1000 | - | 1 | Trunk, BLK, 11.69" Standard |
| | 25352.0007 | - | 1 | Trunk, SST, 12.39" TC |
| | 34208.1002 | - | 1 | Trunk, SST, 18.15" APS |
| | 23320.1004 | - | 1 | Trunk, BLK, 18.15" APS |
| | 34061.0013 | - | 1 | Trunk, BLK, 22.16" TS |
| | 34061.1004 | - | 1 | Trunk, SST, 22.16" TS |
| | 26285.0000 | 1 | - | Trunk, SST, TWIN APS |
| | 26285.0001 | 1 | - | Trunk, BLK, TWIN APS |
| | 26285.0002 | 1 | - | Trunk, SST, TWIN TC |
| | 23294.0000 | 1 | - | Trunk, SST, 0/6, 4/2, 2/2 TWINS w/1 Power Cord |
| | 23294.0002 | 1 | - | Trunk, BLK, 0/6, 4/2, 2/2 TWINS w/1 Power Cord |
| | 23294.0001 | 1 | - | Trunk, SST, 0/6 TWINS (w/2 Power Cords Only) |
| | 34061.1022 | - | 1 | Trunk, SST, 11.69" Standard (Left Mounted Switch) |
| 34061.1035 | - | 1 | Trunk, SST, 11.69" Standard (Right Mounted Switch) | |
| 34061.1023 | - | 1 | Trunk, BLK, 11.69" Standard | |
| 34061.1025 | - | 1 | Trunk, SST, 12.39" TC | |
| 34061.1003 | - | 1 | Trunk, SST, 16.69" Single CW | |
| 34208.1011 | - | 1 | Trunk, SST, 18.15" APS | |
| 23320.1012 | - | 1 | Trunk, BLK, 18.15" APS | |
| 34061.0026 | - | 1 | Trunk, BLK, 22.16" TS | |
| 26285.0006 | 1 | - | Trunk, SST, TWIN APS | |
| 26285.0008 | 1 | - | Trunk, BLK, TWIN APS | |
| 26285.0007 | 1 | - | Trunk, SST, TWIN TC | |
| 23294.0011 | 1 | - | Trunk, SST, 0/6, 4/2, 2/2 TWINS w/1 Power Cord | |
| 23294.0008 | 1 | - | Trunk, SST, 0/6 TWINS (w/2 Power Cords) (2 Switches) | |
| 23294.1015 | 1 | - | Trunk, SST, 0/6 TWINS (w/1 Power Cord Only) (New Style w/Bushings) | |
| 41402.1000 | - | 1 | Trunk, SST, 11.69" Standard | |
| 41402.1001 | - | 1 | Trunk, BLK, 11.69" Standard | |
| 41402.1003 | - | 1 | Trunk, SST, 12.39" TC | |
| 41402.1008 | - | 1 | Trunk, SST, 16.69" Single CW | |
| 41417.1000 | - | 1 | Trunk, SST, 18.15" APS (120V) | |
| 41417.1001 | - | 1 | Trunk, SST, 18.15" APS (230V CE) | |
| 41417.1002 | - | 1 | Trunk, BLK, 18.15" APS (Domestic) | |
| 23294.1010 | 1 | - | Trunk, SST, 0/6 TWINS (Includes # 21) (w/2 Cords) (4 Switches) | |
| 02308.0000 | 12 | 9 | Screw, PNHD #8-32 x .375" (Trunk to Base) | |
| 00970.0000 | 8 | - | Nut, Keps #8-32 (Trunk to Base) (TWIN - APS Only) | |
| 00988.0000 | 7 | 6 | Fastener, (Tinnerman) "U" Type #6-32 | |
| 2 | 22748.0000 | - | 1 | Extension, SST, 6.5" |
| | 22748.0001 | - | 1 | Extension, SST, 10.5" |
| | 22748.0002 | - | 1 | Extension, BLK, 10.5" |
| 3 | 28233.0000 | - | 1 | Optional Utility Cover (Fits 18.15" APS Trunks Only) |
| | 23270.0000 | 1 | - | Utility Cover w/Decals (All Short Twins) (Includes # 6,7,19) |
| | 41426.1000 | 1 | - | Utility Cover w/Decals (0/6 Twins w/ 2 cords) (Includes # 6,7,19, 23) |
| 02332.0002 | 6 | - | Screw, Hex-Crimptite #6 x .38" | |
| 4 | 26287.0000 | 1 | - | Bracket, Support (APS Only) |
| | 22733.0000 | - | 1 | Bracket, Support (APS Only) |
| | 02308.0000 | 2 | 4 | Screw #8-32 x .375" |



All trunks include decals
00656.0000 & 00831.0000
except 0/6 w/ 2 cords.

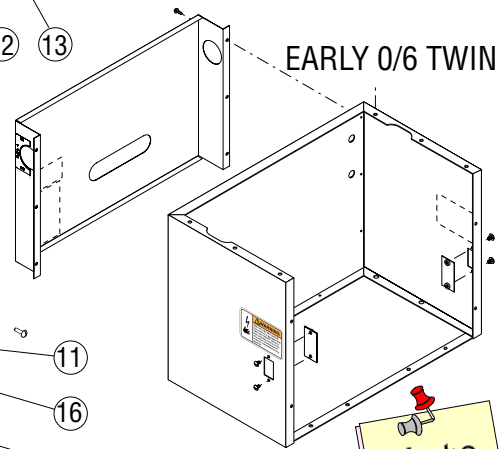
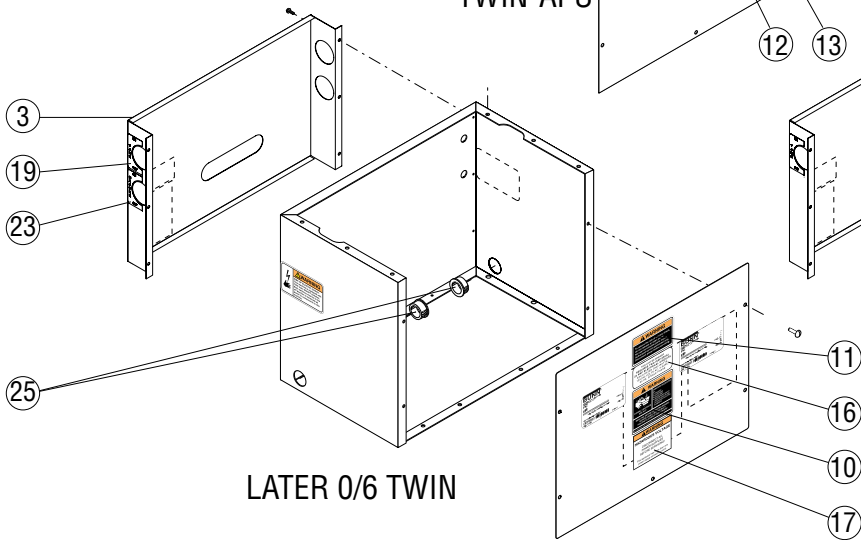
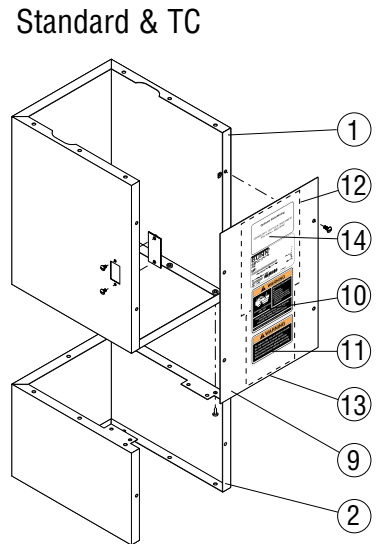
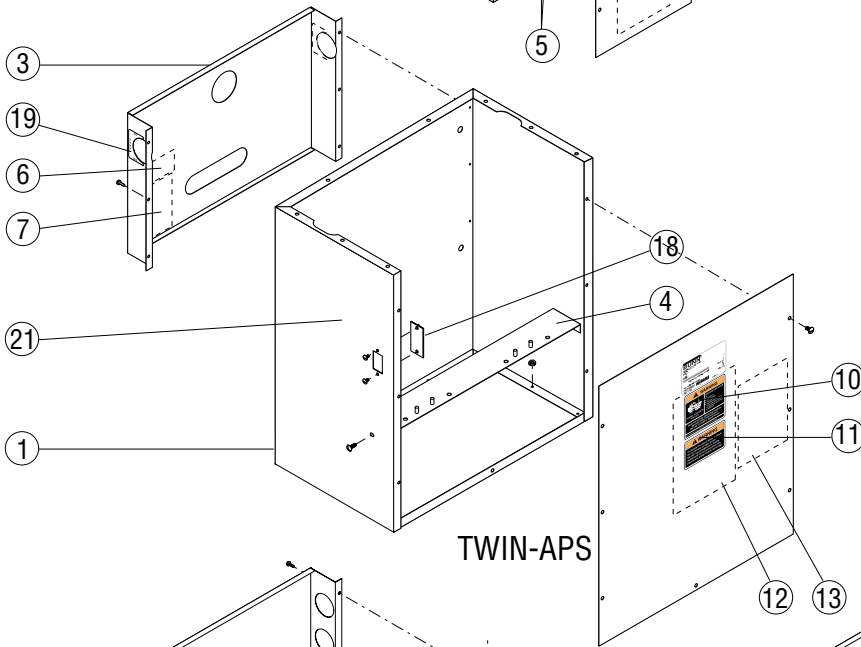
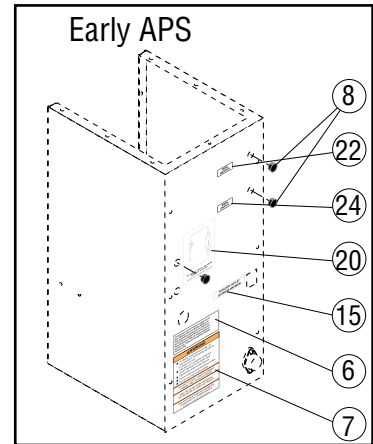
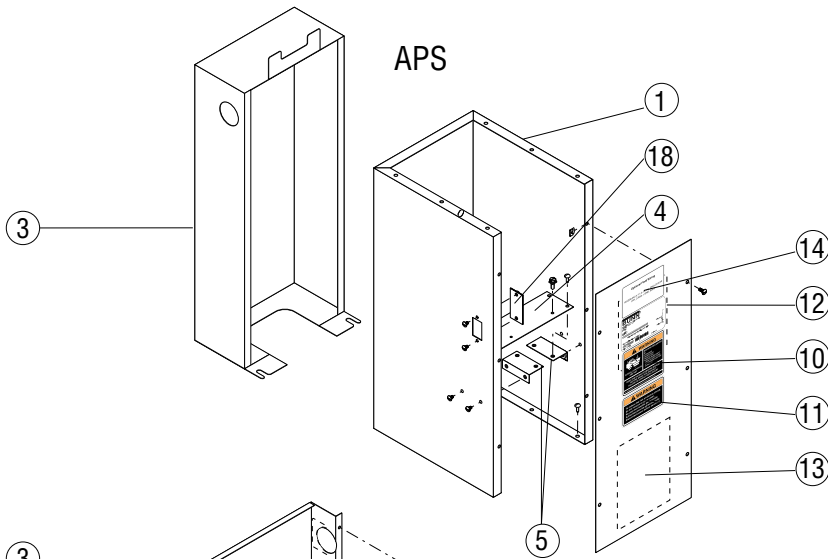
No Master
ON/OFF
Switch

With Side Mounted Rocker
Type Master ON/OFF Switch

With Rear Mounted Master
ON/OFF Toggle Switch

Continued on next page

* Indicates the part number listed is for reference only.



All models with receptacle and/or fuse (MV) are no longer available

TRUNKS

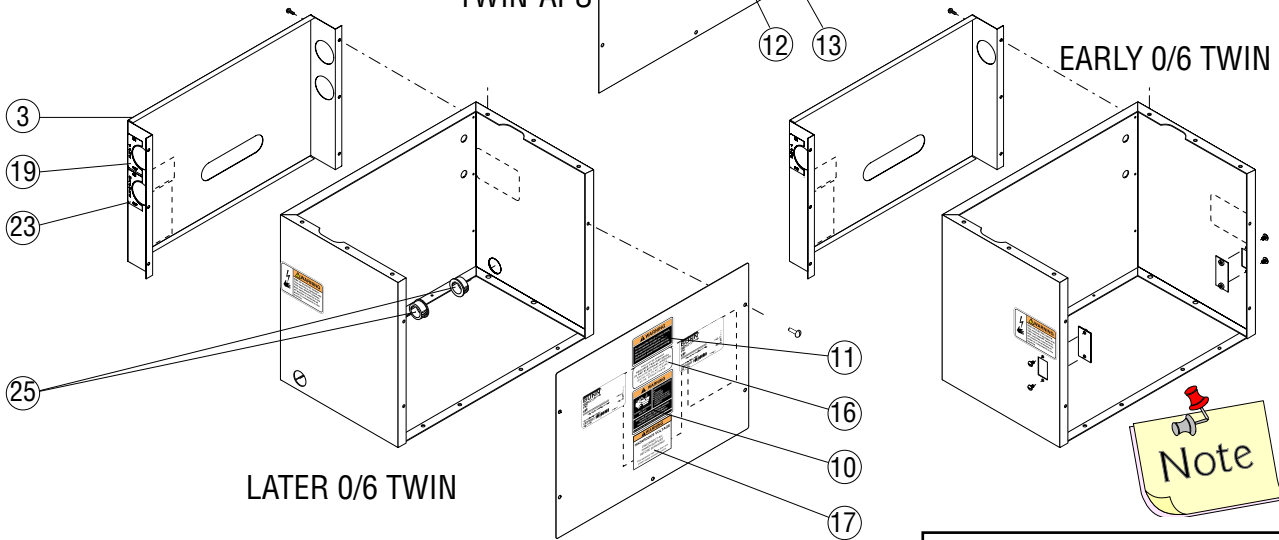
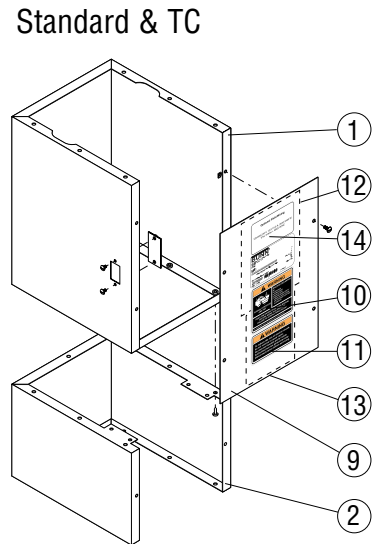
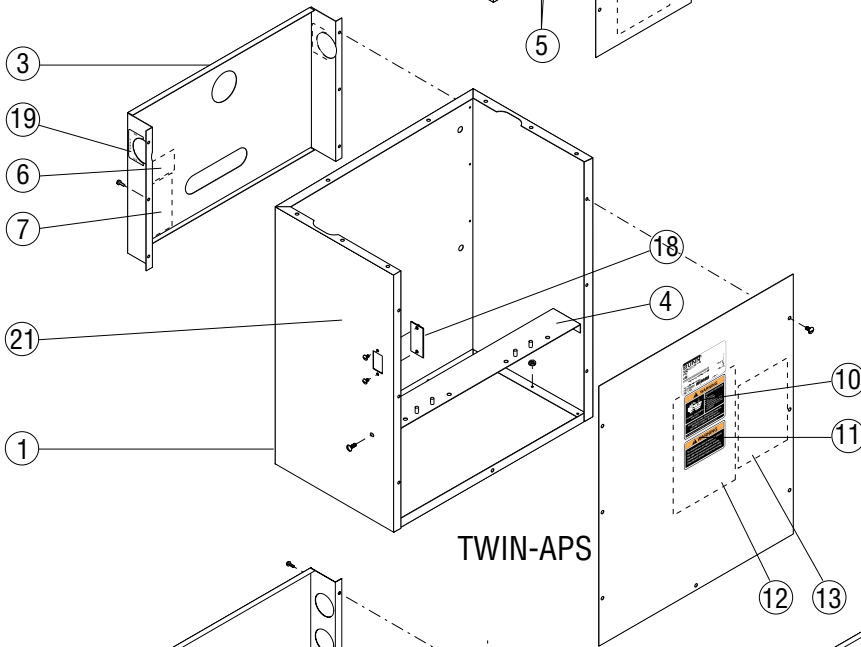
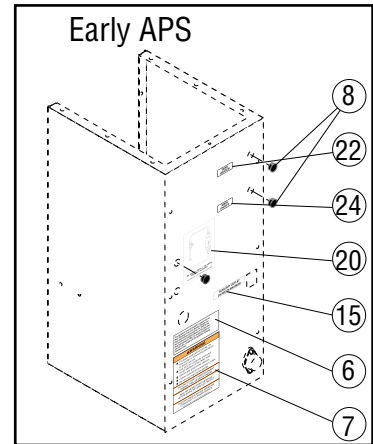
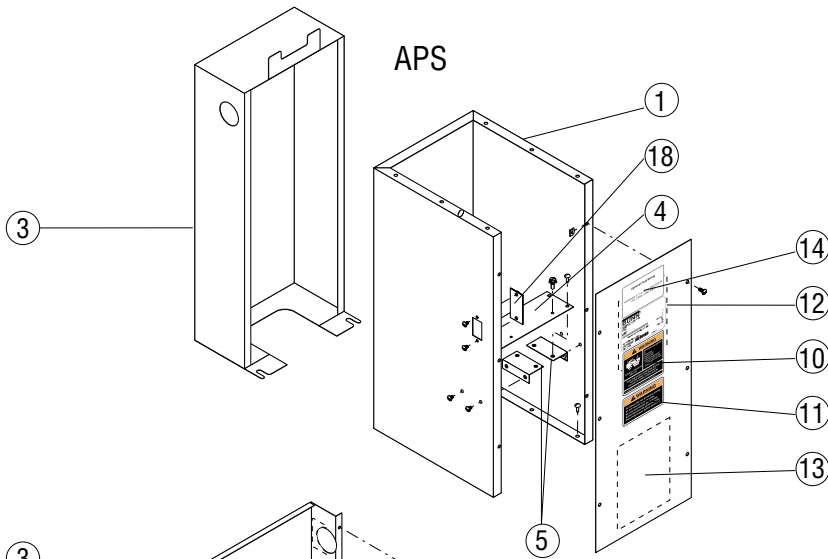
| ITEM | PART NO. | QTY. TWIN | QTY. SINGLE | DESCRIPTION |
|------|------------|--------------|----------------|---|
| 5 | 27929.0000 | - | 2 | Bracket, (APS Only) |
| | 02308.0000 | - | 4 | Screw #8-32 x .375" |
| 6 | 00656.0001 | 1 | 1 | Decal, Compliance To Plumbing Code |
| 7 | 00831.0000 | 1 | 1 | Decal, Warning-Electrical |
| 8 | 00669.0003 | - | 2 | Plug |
| 9 | 11408.1002 | - | 1 | Panel, SST, 11.625" Standard (Includes # 10-11) |
| | 11408.1005 | - | 1 | Panel, BLK, 11.625" Standard (Includes # 10-11) |
| | 11408.1006 | - | 1 | Panel, SST, 12.375" TC (Includes # 10-11) |
| | 22730.1007 | - | 1 | Panel, SST, 15.63" Single CW (Includes # 10-11) |
| | 22730.1002 | - | 1 | Panel, SST, 18.125" APS (Includes # 10-11) |
| | 22730.1005 | - | 1 | Panel, BLK, 18.125" APS (Includes # 10-11) |
| | 22730.1003 | - | 1 | Panel, SST, 22.125" TS (Includes # 10-11) |
| | 22730.1009 | - | 1 | Panel, BLK, 22.125" TS (Includes # 10-11) |
| | 01382.0000 | - | 4-6 | Screw, SST #6-32 x .375" |
| | 01382.0002 | - | 4-6 | Screw, BLK #6-32 x .375" |
| | 26283.1000 | 1 | - | Panel, SST, TWIN APS (Includes # 10-11) |
| | 26283.1001 | 1 | - | Panel, BLK, TWIN APS (Includes # 10-11) |
| | 23267.1000 | 1 | - | Panel, SST, All Other TWINS w/One Power Cord (Includes # 10-11) |
| | 24249.0003 | 1 | - | Panel, SST, All 0/6 TWINS w/Two Power Cords (Includes # 10-12,16,17) |
| | 23267.1001 | 1 | - | Panel, BLK, All Other TWINS (Includes # 10-11) |
| | 01315.0000 | 5-7 | - | Screw, SST #8-32 x .375" |
| | 01315.0005 | 5-7 | - | Screw, BLK #8-32 x .375" |
| 10 | 00658.0000 | 1 | 1 | Decal, Warning-Decanter/Funnel |
| 11 | 37881.0000 | 1 | 1 | Decal, No User Serviceable Parts |
| 12 | 10836.0000 | - | 1 | Schematic, C, CWT, CWTF-15, 20, 35, 120V, 120/208-240V |
| | 10836.0005 | - | 1 | Schematic, C, CWT, CWTF-MV |
| | 10836.0009 | - | 1 | Schematic, C, CWT, CWTF-DV |
| | 10836.0010 | - | 1 | Schematic, APS/TC/TS-DV |
| | 10836.0011 | - | 1 | Schematic, Single CW |
| | 10693.0000 | - | 1 | Schematic, APS/TC/TS-12, 20, 35 (Mechanical T'Stat) |
| | 10693.0001 | - | 1 | Schematic, APS/TC/TS-12, 20, 35 (Electronic T'Stat) |
| | 10693.0002 | - | 1 | Schematic, APS/TC/TS-MV |
| | 10867.0000 | 1 | - | Schematic, 2/2,4/2 Twins w/Optional Recovery Booster |
| | 27693.0000 | 1 | - | Schematic, 0/6 Twins (Mechanical T'Stat, Fresh Timer & Booster) |
| | 10847.0000 | 1 | - | Schematic, 0/6 Twins w/Two Power Cords |
| | 10736.0000 | 1 | - | Schematic, All Other Twins |
| 13 | 32540.0000 | 1 | 1 | Decal, Digital Timer Setting |
| 14 | 28181.0000 | - | 1 | Decal, Optional Field Wiring (3 Warmer) (MV Only) |
| | 28181.0001 | - | 1 | Decal, Optional Field Wiring (1 Warmer) (MV Only) |
| | 28181.0002 | - | 1 | Decal, Optional Field Wiring (APS-MV Only) |
| | 34955.0000 | - | 1 | Decal, Optional Field Wiring (TC/APS-DV Only) |
| | 34955.0001 | - | 1 | Decal, Optional Field Wiring (1 Warmer) (DV Only) |
| | 34955.0002 | - | 1 | Decal, Optional Field Wiring (2 Warmer) (DV Only) |
| | 34955.0003 | - | 1 | Decal, Optional Field Wiring (3 Warmer) (DV Only) |
| 15 | 02822.0000 | - | 1 | Decal, 200 Watts Maximum |
| 16 | 12183.0002 | 1 | - | Decal, 20 amp Electrical Circuit (Brewers with two Power Cords Only) |



All front panels include decals
00658.0000 & 37881.0000

Continued on next page

* Indicates the part number listed is for reference only.



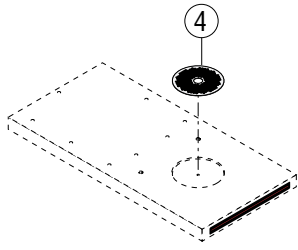
LATER 0/6 TWIN



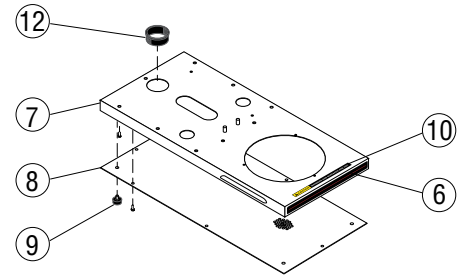
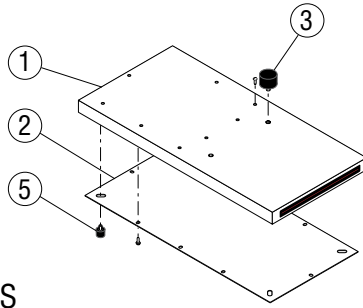
All models with receptacle and/or fuse (MV) are no longer available

TRUNKS

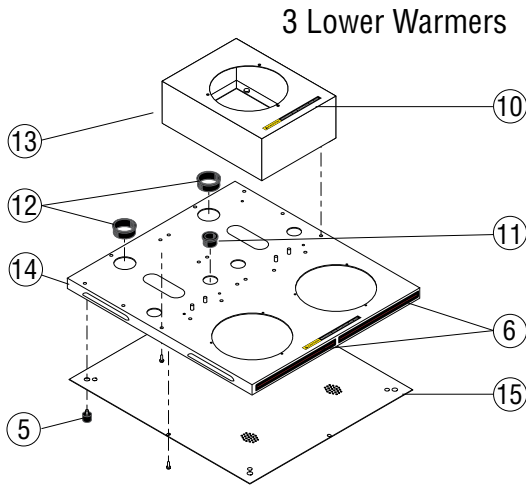
| ITEM | PART NO. | QTY. TWIN | QTY. SINGLE | DESCRIPTION |
|------|------------|--------------|----------------|---|
| 17 | 12104.0000 | 1 | - | Decal, Warning-Power Supply (Brewers with two Power Cords Only) |
| 18 | 38820.0000 | 1 | 1 | Plate, Switch Cover (Models w/out Power Switch) |
| | 01308.0002 | 2 | 2 | Screw SST #6-32 x .25" |
| | 01308.0003 | 2 | 2 | Screw BLK #6-32 x .25" |
| 19 | 24213.0000 | 1 | - | Decal, Tank Heater (Includes Left & Right Decals) |
| 20 | 10165.0000 | - | 1 | Decal, Strainer/Flow Control (w/o Needle Valve) |
| | 10447.0000 | - | 1 | Decal, Strainer/Flow Control (w/Needle Valve) |
| | 24540.0000 | - | 1 | Decal, Strainer/Flow Control 2nd Type (Center Tap & Needle Valve) |
| | 26225.0000 | - | 1 | Decal, Strainer/Flow Control 3rd type (One Piece Strainer/Flow Control) |
| 21 | 40124.0000 | (2) | - | Decal, Warning-ON/OFF Switch x 2 (0/6 Twins with two Power Cords Only) |
| 22 | 39806.0000 | - | 1 | Decal, Tank Heater |
| 23 | 41427.0000 | 2 | - | Decal, Master ON/OFF (Includes Left & Right Decals) |
| 24 | 41405.0000 | - | 1 | Decal, Master ON/OFF |
| 25 | 01592.0000 | 2 | - | Bushing |



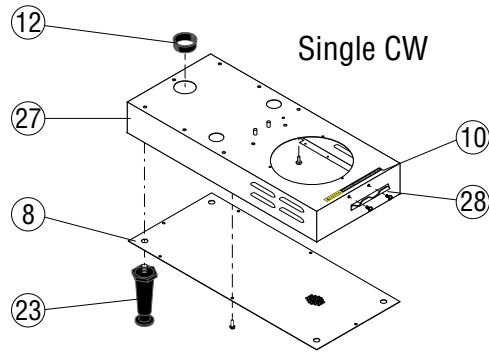
APS/TC/TS



1 Lower Warmer

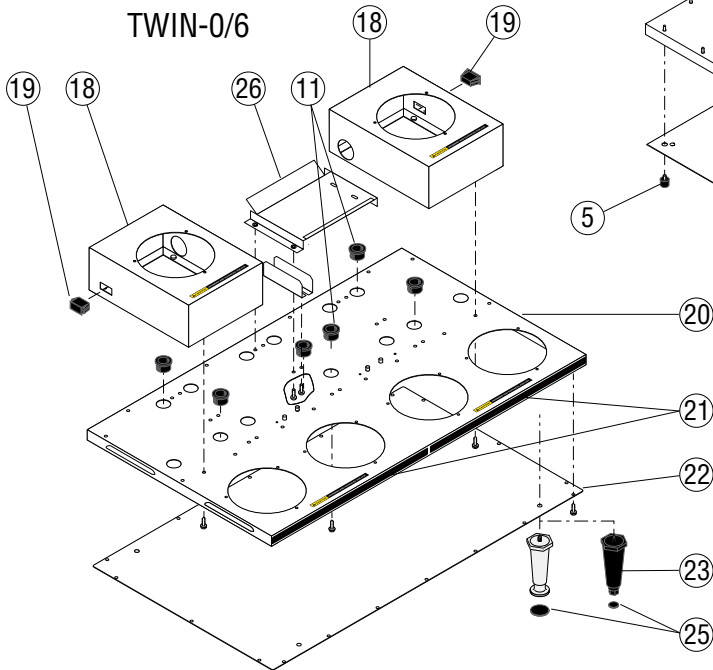


3 Lower Warmers

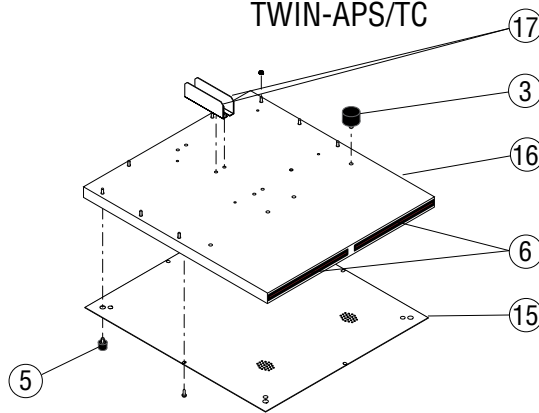


Single CW

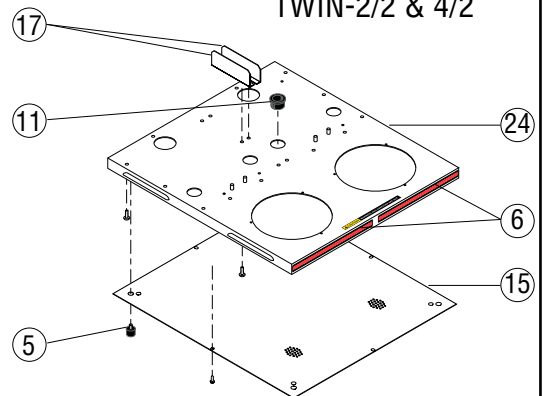
TWIN-0/6



TWIN-APS/TC



TWIN-2/2 & 4/2

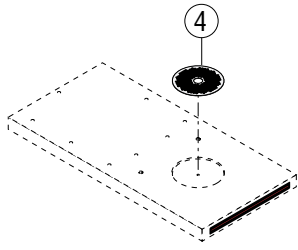


BASES

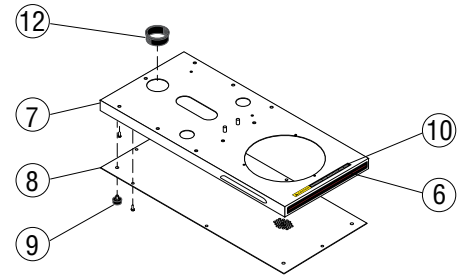
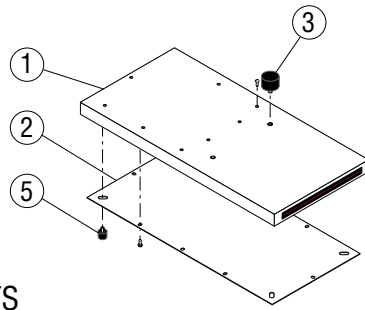
| ITEM | PART NO. | QTY. TWIN | QTY. SINGLE | DESCRIPTION |
|------|------------|--------------|----------------|--|
| 1 | 23321.0000 | - | 1 | Base W/decals, Sst (Includes Item 6) Aps |
| | 23321.0001 | - | 1 | Base W/decals, Sst (Includes Item 6) Ts |
| | 23321.0002 | - | 1 | Base W/decals, Sst (Includes Item 6) Aps (Ce) |
| | 23321.0003 | - | 1 | Base W/decals, Sst (Includes Item 6) Ts (Ce) |
| | 23321.0004 | - | 1 | Base W/decals, Blk (Includes Item 6) Aps |
| 2 | 22999.0000 | - | 1 | Plate, Base APS/TC/TS |
| | 02332.0002 | - | 8 | Screw, Hex-crimptite #6-32 X .375" |
| 3 | 00754.0001 | 4 | 2 | Locator |
| 4 | 22740.0000 | - | 1 | Drip Shield, (Early Models Only) |
| 5 | 25137.0001 | - | 4 | Foot .75od X .48ht X .25thd |
| | 24600.0000 | - | - | Set Of 4 Feet |
| 6 | 22306.0000 | 2 | 1 | Decal, Red Decorative Stripe |
| 7 | 25351.0000 | - | 1 | Base, 1 Warmer W/decals, Sst (Includes Items 6 & 10) |
| | 25351.0001 | - | 1 | Base, 1 Warmer W/decals, Sst (Includes Items 6 & 10) (Ce) |
| | 25351.0002 | - | 1 | Base, 1 Warmer W/decals, Blk (Includes Items 6 & 10) |
| 8 | 24805.0000 | - | 1 | Plate, Base 1 Warmer |
| | 24805.0002 | - | 1 | Plate, Base 1 Warmer (Single CW) |
| | 02332.0002 | - | 6 | Screw, Hex-crimptite #6-32 X .375" |
| 9 | 25137.0000 | - | 4 | Foot .75od X .25ht X .25thd |
| | 35712.0000 | - | - | Set Of 4 Feet |
| 10 | 12364.0000 | # | # | Decal, Caution-warmers/surfaces Are Hot (Refer To Illustration For Qty.) |
| 11 | 01592.0000 | # | # | Bushing, Snap 1" (Refer To Illustration For Qty.) |
| 12 | 01593.0000 | # | # | Bushing, Snap 1.5" (Refer To Illustration For Qty.) |
| 13 | 25658.0000 | - | 1 | Housing, Side Warmer Sst (Includes Item 10) |
| | 25658.0002 | - | 1 | Housing, Side Warmer Blk (Includes Item 10) |
| | 02308.0000 | - | 7 | Screw, #8-32 X .375" |
| 14 | 25657.0000 | - | 1 | Base, 3 Warmers W/decals, Sst (Includes Items 6 & 10) |
| | 25657.0001 | - | 1 | Base, 3 Warmers W/decals, Sst (Includes Items 6 & 10) Ce |
| | 25657.0002 | - | 1 | Base, 3 Warmers W/decals, Blk (Includes Items 6 & 10) |
| 15 | 12667.0001 | - | 1 | Plate, Base 3 Warmers |
| 16 | 26413.0000 | 1 | - | Base W/decals, Sst (Includes Item 6) Twin-aps |
| | 26413.0001 | 1 | - | Base W/decals, Blk (Includes Item 6) Twin-aps |
| 17 | 26953.0000 | 2 | - | Guard, Wiring |
| | 02308.0000 | 4 | - | Screw, #8-32 X .375" |
| 18 | 23698.1002 | 1 | - | Housing, Side Warmer Sst Left (Includes Item 10) w/o Switch Cut Out |
| | 23698.1003 | 1 | - | Housing, Side Warmer Sst Right (Includes Item 10) w/o Switch Cut Out |
| | 23698.1004 | 1 | - | Housing, Side Warmer Sst Right (Includes Item 10) w/Switch Cut Out |
| | 23698.1005 | 1 | - | Housing, Side Warmer Sst Left (Includes Item 10) w/Switch Cut Out |
| | 02308.0000 | 14 | - | Screw, #8-32 X .375" |
| 19 | 12921.0000 | 2 | - | Switch Blank |

Continued on next page

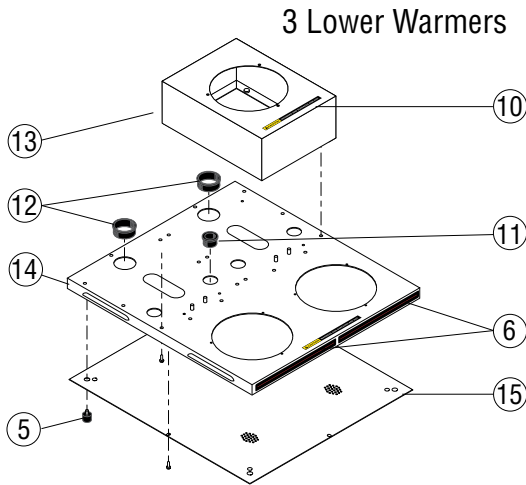
* Indicates the part number listed is for reference only.



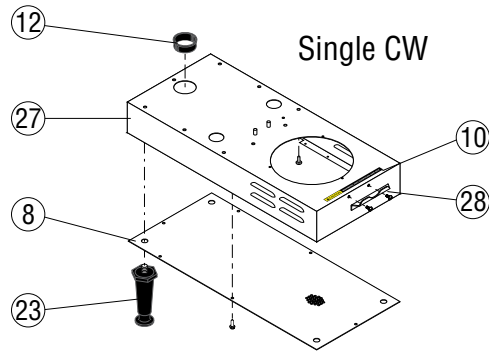
APS/TC/TS



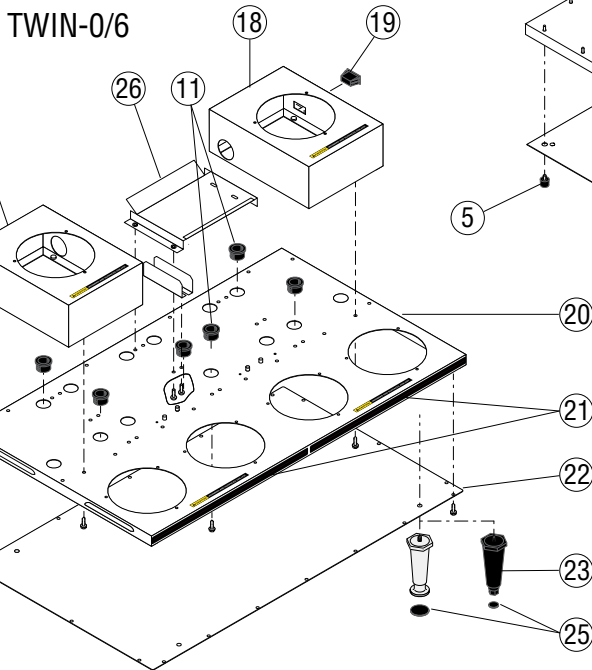
1 Lower Warmer



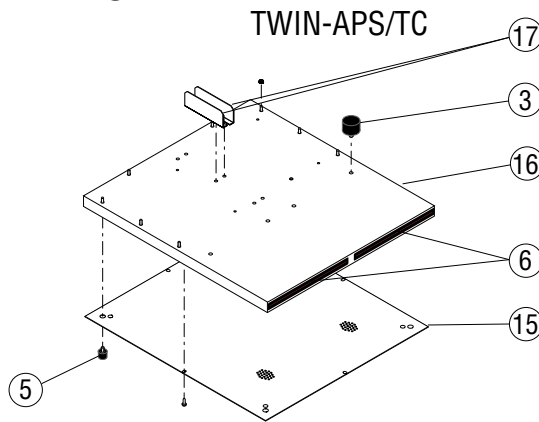
3 Lower Warmers



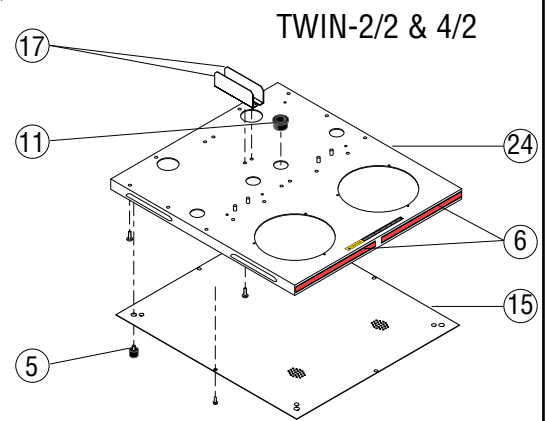
Single CW



TWIN-0/6



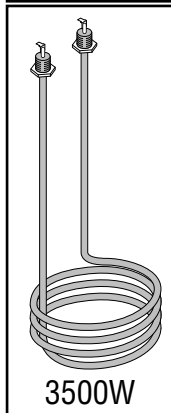
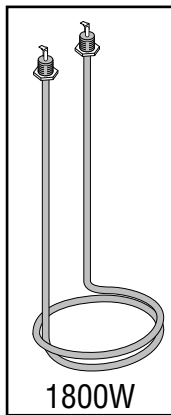
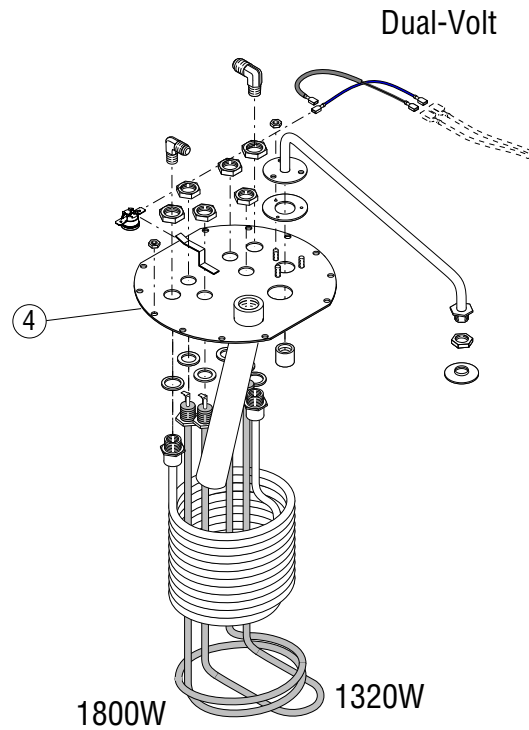
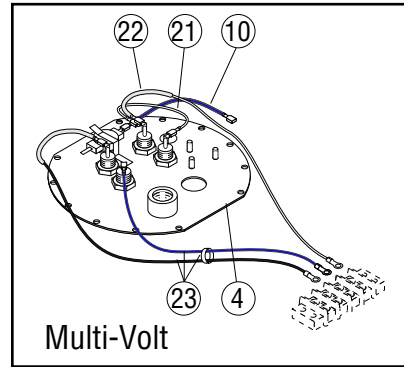
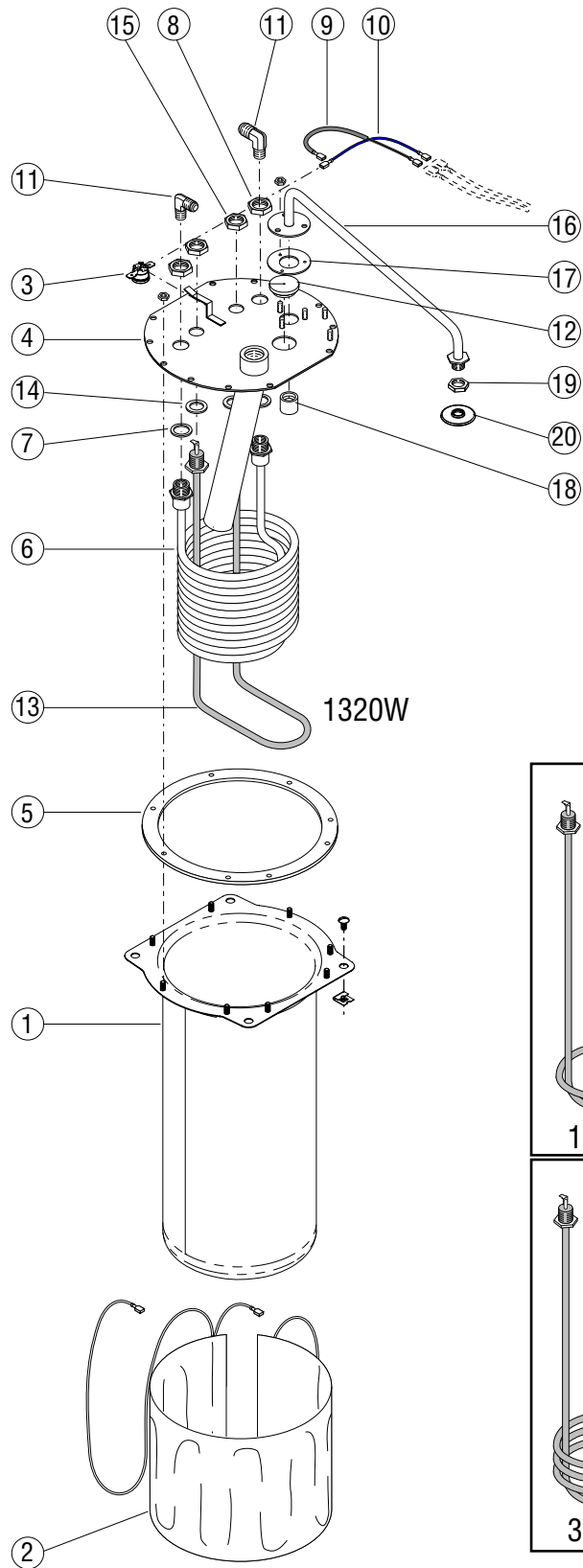
TWIN-APS/TC



TWIN-2/2 & 4/2

BASES

| ITEM | PART NO. | QTY. | | DESCRIPTION |
|------|------------|-------|--------|--|
| | | TWIN | SINGLE | |
| 20 | 24253.0001 | 1 | - | Base W/decals, Sst (Includes # 10 & 21) Twin 0/6 |
| | 24253.0002 | 1 | - | Base W/decals, Blk (Includes # 10 & 21) Twin 0/6 |
| | 02308.0000 | 12 | - | Screw, #8-32 X .375" |
| 21 | 24230.0000 | 2 | 1 | Decal, Red Decorative Stripe |
| 22 | 23329.0000 | 1 | - | Plate, Base, Twin 0/6 |
| | 02332.0002 | 18 | - | Screw, Hex-crimptite #6-32 X .375" |
| 23 | 00511.1000 | 1 Set | - | Legs, 4" Adjustable, Satin Nickel, .25"-20 (Includes # 25) |
| | 13255.0005 | 1 Set | - | Legs, 4" Adjustable, Black Plastic, .25"-20 (Includes # 25) |
| | 26528.0001 | - | 4 | Legs, 4" Adjustable, Black Plastic, .25"-20 (Single CW) |
| 24 | 24253.0000 | 1 | - | Base W/decals, Sst (Includes Items 6 & 10) Twin 2/2 & 4/2 |
| | 24253.0003 | 1 | - | Base W/decals, Blk (Includes Items 6 & 10) Twin 2/2 & 4/2 |
| | 02308.0000 | 12 | - | Screw, #8-32 X .375" |
| 25 | 03996.0000 | 4 | - | Pad, 1.25" |
| | 03993.0000 | 4 | - | Pad, .70" |
| 26 | 27623.0000 | 1 | - | Guard, Wiring - Right (Brewers with two Power Cords Only) |
| | 02308.0000 | 2 | - | Screw, #8-32 X .375" |
| 27 | 34065.1001 | - | 1 | Base W/decals, Sst (Includes # 10 & 28) Single CW |
| 28 | 21104.0003 | - | 1 | Server Stop (Single CW Only) |
| | 01347.0000 | - | 2 | Screw, Truss Head #6-32 x .375" |



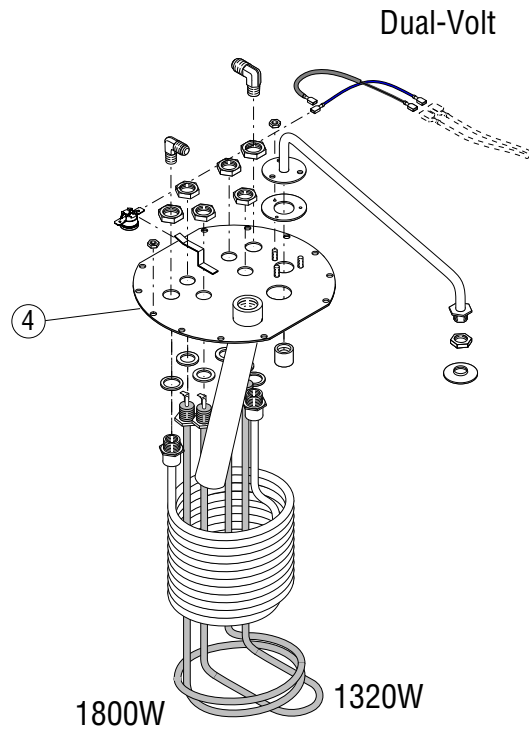
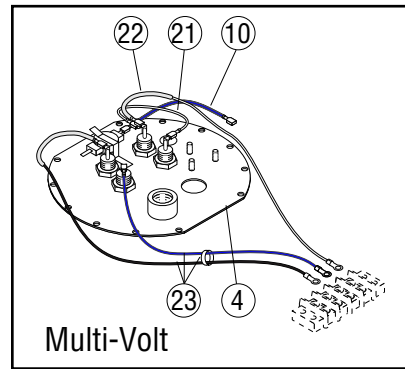
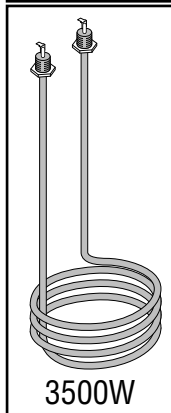
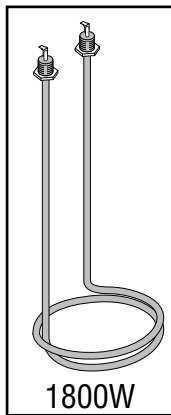
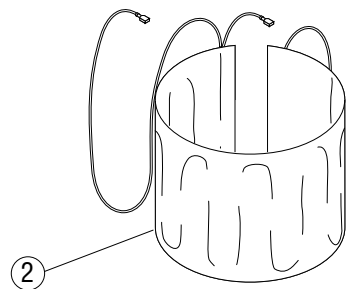
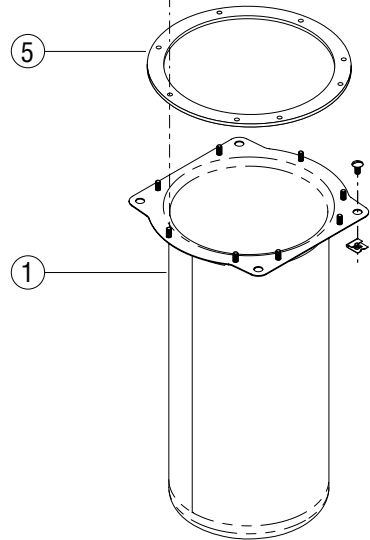
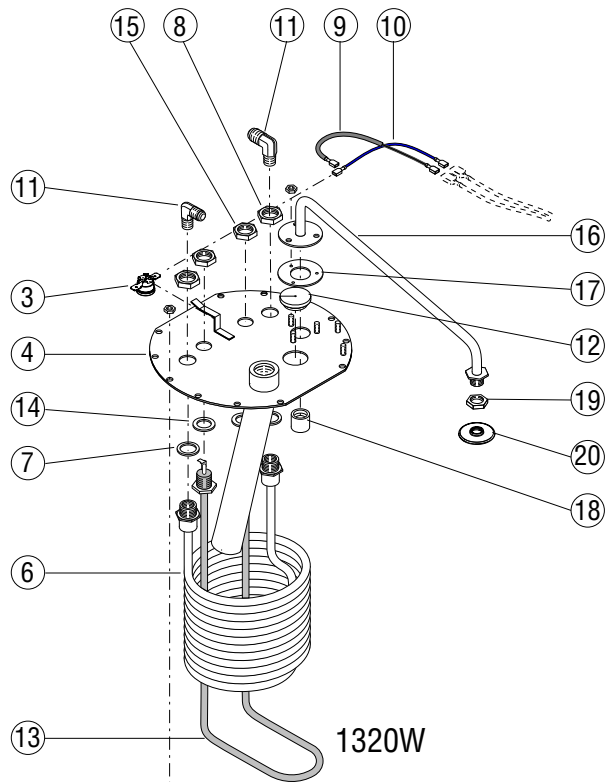
TANK AND COMPONENTS

| ITEM | PART NO. | QTY. TWIN | QTY. SINGLE | DESCRIPTION |
|------------|------------|--------------|------------------------------------|---|
| 1 | 04118.0000 | 2 | 1 | Tank |
| | 20201.3000 | - | 1 | Tank (Single CW) |
| | 01315.0000 | 4 | 2 | Screw #8-32 x .375" TRSHD |
| | 00912.0000 | 4 | 2 | Clip, J-Type #8-32 |
| 2 | 04260.0000 | 2 | 1 | Blanket Warmer 50W, 120V |
| | 01927.0000 | 2 | 1 | Blanket Warmer 50W, 220V |
| 3 | 29329.1000 | 2 | 1 | Thermostat, Limit |
| 4 | 25158.0000 | 1 | 1 | Tank Lid (1 HTR, No Faucet) (Twin Right) |
| | 25158.0001 | 1 | 1 | Tank Lid (1 HTR, w/Faucet) (Twin Left) (Single CW) |
| | 25158.0002 | - | 1 | Tank Lid (1 HTR, No Faucet) (Single CW) |
| | 25158.0004 | - | 1 | Tank Lid (DV/MV, w/Faucet) |
| | 00908.0000 | 16 | 8 | Nut, Hex #8-32 |
| 5 | 04221.0000 | 2 | 1 | Gasket, Tank Lid |
| 6 | 12689.1000 | 1 | 1 | Coil Assy, Faucet (Includes # 7) |
| 7 | 12688.0000 | 2 | 2 | Gasket, Water Coil |
| 8 | 12687.0000 | 2 | 2 | Nut, Hex Brass .562"-24 (Water Coil) |
| 9 | 20211.0100 | 1 | 1 | Thermal Cut Off (TCO) (Thermostat to Heater) w/Faucet |
| | 23769.0000 | 1 | 1 | Lead, Electrical BLK (Thermostat to Heater) w/o Faucet |
| 10 | 23768.0000 | 2 | 1 | Lead, Electrical BLU (Thermostat to Limit) |
| 11 | 00400.0001 | 4 | 2 | Elbow, Male .250" Flare x .125" MPT |
| 12 | ----- | - | - | (See Electrical Section) |
| 13 | 03070.1001 | - | 1 | Tank Heater, 1500W 120V (Single CW-15) |
| | 04236.1000 | - | 1 | Tank Heater, 1320W 120V (CWTF-15 & MV/DV) |
| | 04636.1000 | - | 1 | Tank Heater, 1800W 120V (CWTF-20 & MV/DV) |
| | 01925.1000 | - | 1 | Tank Heater, 1850W 220V (CWTF-20) |
| | 04637.1000 | 2 | 1 | Tank Heater, 3500W 240V (CWTF-35 & Twins) |
| | 20201.0750 | - | 1 | Tank Heater, 3500W 240V (Single CW-35) |
| | 20941.1000 | - | 1 | Tank Heater, 3500W 200V (CWTFB-35) |
| | 23929.1000 | 2 | - | Tank Heater, 1600W 200V (CWTFB-2/2 Twin) |
| | 24217.1000 | 2 | - | Tank Heater, 1800W 230V (CWTF-2/2 Twin) |
| 23930.1000 | 2 | - | Tank Heater, 3000W 240V (Twins-CE) | |
| 14 | 00943.0000 | 4 | 2 | Gasket, Tank Heater |
| 15 | 00942.0000 | 4 | 2 | Nut, Brass .5"-20 (Tank Heater) |
| 16 | 11431.0002 | 2 | 1 | Sprayhead Tube Kit (Includes 3 mounting nuts below & # 17 & 18) |
| | 00908.0000 | 6 | 3 | Nut, Hex #8-32 |
| 17 | 05515.0000 | 2 | 1 | Gasket, Sprayhead tube |
| 18 | 05518.0000 | 2 | 1 | Hub, Syphon |
| 19 | 01075.0000 | 2 | 1 | Nut, Hex .438"-20, Sprayhead tube |

Includes # 14

Continued on next page

* Indicates the part number listed is for reference only.



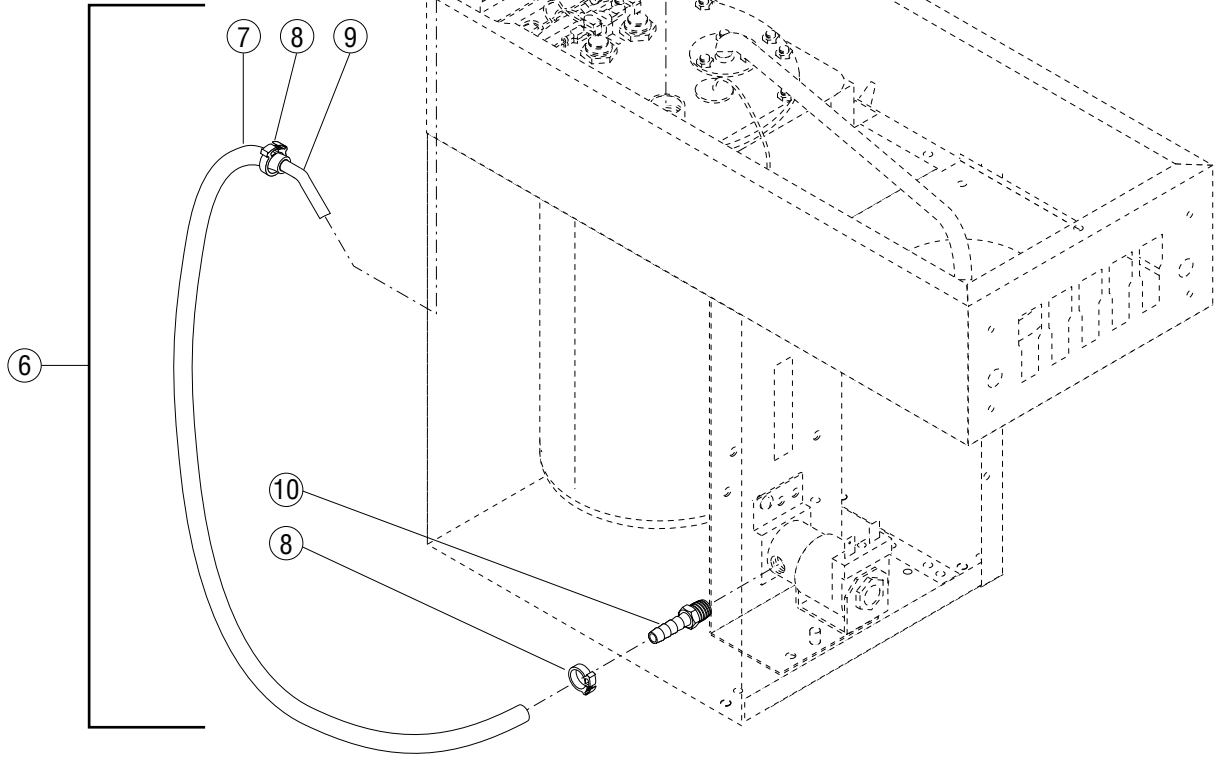
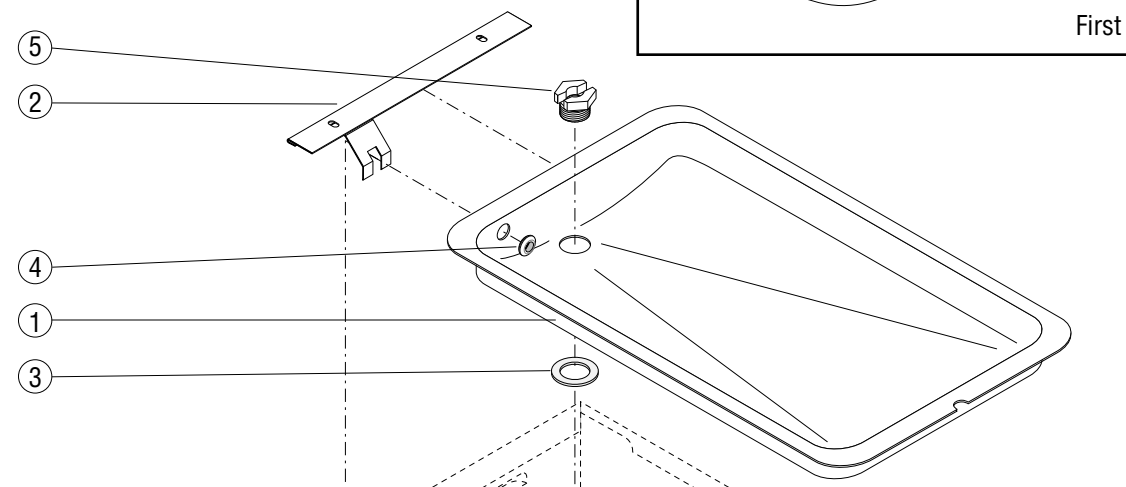
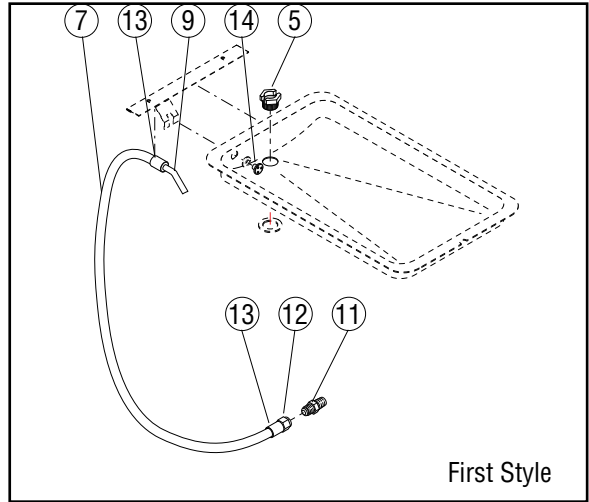
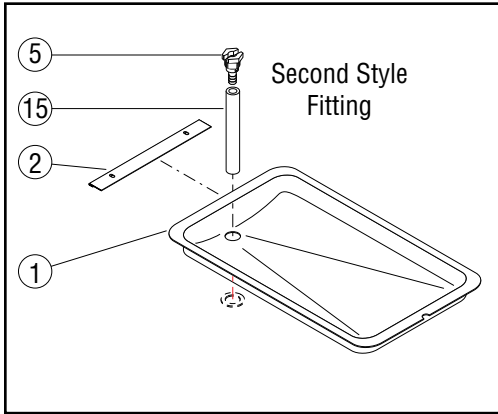
TANK AND COMPONENTS

| ITEM | PART NO. | QTY. TWIN | QTY. SINGLE | DESCRIPTION |
|------|------------|--------------|----------------|---|
| 20 | 01082.0000 | 2 | 1 | Sprayhead, 6-Hole (6-.078 Standard) |
| | 01082.1000 | # | # | 3 Pack, 6-Hole (6-.078 Standard) |
| | 01082.0004 | 2 | 1 | Sprayhead, 5-Hole (5-.070 Optional) |
| | 01082.0005 | 2 | 1 | Sprayhead, 5-Hole (5-.057 Optional) |
| | 01082.0007 | 2 | 1 | Sprayhead, 1-Hole (1-.182 Pouch-Pack Funnel) |
| 21 | 28242.0000 | - | 1 | Lead, Electrical WHI (Tank Heater Jumper) |
| 22 | 28173.0000 | - | 1 | Thermal Cut Off (Tank Heater to Upper Terminal Block) |
| 23 | 28174.0000 | - | 1 | Thermal Cut Off Harness (Tank Heater to Upper Terminal Block) |

The Following Items Are Not Illustrated

| | | | | | |
|----|------------|---|---|--|--------------------|
| 24 | 22918.0000 | - | 1 | TCO 128°C Male - Female (CE) | } Includes # 1 & 2 |
| | 22918.0001 | - | 1 | TCO 291°C Male - Female (CE) | |
| 25 | 04776.0000 | - | 1 | TCO 128°C Male - Female (CE) | |
| | 20211.0100 | - | 1 | TCO 167°C Female - Female BLK (CE) | |
| 26 | 04119.0000 | 1 | 1 | Tank W/Blanket Warmer, 120V | |
| | 04133.0000 | 1 | 1 | Tank W/Blanket Warmer, 220V | |
| 27 | 25319.1000 | - | 1 | Tank Assy, 1320W 120V (Includes # 1-5,9,10,13-18) w/o Faucet | |
| | 25319.1001 | - | 1 | Tank Assy, 1800W 120V (Includes # 1-5,9,10,13-18) w/o Faucet | |
| | 25319.1002 | 1 | 1 | Tank Assy, 3500W 120/240V (Includes # 1-5,9,10,13-18) w/o Faucet | |
| | 25319.1010 | 1 | - | Tank Assy, 3000W 120/240V (Includes # 1-5,9,10,13-18) w/o Faucet | |
| | -----* | - | 1 | Tank Assy, 1850W 220V (Includes # 1-5,9,10,13-18) w/o Faucet | |
| | -----* | 1 | 1 | Tank Assy, 3500W 240V (Includes # 1-5,9,13-18) w/o Faucet | |
| | 25320.1000 | - | 1 | Tank Assy, 1320W 120V (Includes # 1-11,13-18) w/Faucet | |
| | 25320.1001 | - | 1 | Tank Assy, 1800W 120V (Includes # 1-11,13-18) w/Faucet | |
| | 25320.1002 | 1 | 1 | Tank Assy, 3500W 240V (Includes # 1-11,13-18) w/Faucet | |
| | 25320.1007 | 1 | 1 | Tank Assy, 3000W 120/240V (Includes # 1-11,13-18) w/Faucet | |
| | 25320.1012 | - | 1 | Tank Assy, 3500W 240V (Includes # 1-11,13-18) w/Faucet | |
| | 25320.1017 | - | 1 | Tank Assy, 1320/1800W DV (Includes # 1-11,13-18, 24-25) w/Faucet | |

* Indicates the part number listed is for reference only.



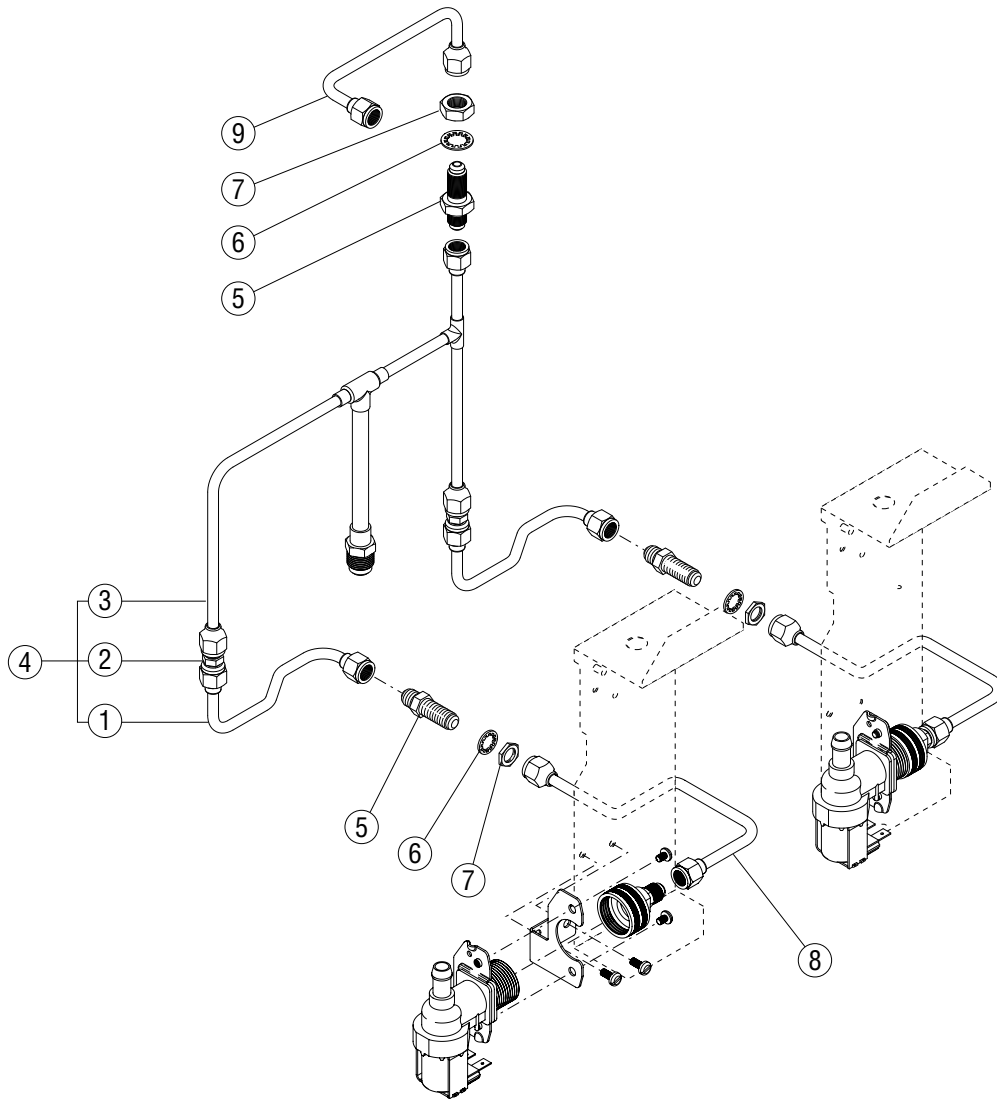
FILL BASIN AND LINES

| ITEM | PART NO. | QTY. TWIN | QTY. SINGLE | DESCRIPTION |
|------|-------------|--------------|----------------|--|
| 1 | 04270.0002 | 2 | 1 | Fill Basin (Automatics) |
| | 04270.0000 | - | 1 | Fill Basin (Pour Overs) |
| 2 | 27514.0000 | 2 | 1 | Plate, Splash Guard (Automatics and Early Model Pour Overs) |
| | 11424.0000 | - | 1 | Plate, Splash Guard (Late Model Pour Overs) |
| 3 | 01201.0000 | 2 | 1 | Gasket, Tank Inlet |
| 4 | 12928.0000 | 2 | 1 | Grommet, Pour-In Basin (Automatics and Early Model Pour Overs) |
| 5 | 01200.0000 | 2 | 1 | Fitting, Tank Inlet .562" Opening (First Style) |
| | 32063.0000* | 2 | 1 | Fitting, Tank Inlet .312" Opening (Second Style) (Obsolete) |
| | 01212.0000 | 2 | 1 | Fitting, Tank Inlet .382" Opening (Third Style) |
| | 01212.0001* | 2 | 1 | Fitting, Tank Inlet Tapered Opening (Obsolete) |
| 6 | 12914.0002 | 2 | 1 | Tube Assy. Fill 21.5" Second Style (Includes # 4, 7-10) |
| 7 | 11707.0003* | 2 | 1 | Tube, .25" Dia. x 21.5" (Order # 16) |
| 8 | 12422.0000 | 4 | 2 | Clamp, SNP - 6 |
| 9 | 12913.0000 | 2 | 1 | Tube |
| 10 | 22397.0001 | 2 | 1 | Fitting, .25" Barb x .125" MPT (Late Models) |
| 11 | 00402.0001 | 2 | 1 | Fitting, .25" Flare x .125" MPT (Early Models) |
| 12 | 00425.1000 | 2 | 1 | Fitting, Swivel Nut |
| 13 | 00419.0000 | 4 | 2 | Ferrule, Crimp Type .25" |
| 14 | 01426.0000* | - | 1 | Weld Pin, .25" Dia. (Early Model Pour Overs Only) |
| 15 | 28526.0021* | 2 | 1 | Tube, .313" Dia. x 4.0" (Order 17) |

The Following Items Are Not Illustrated

| | | | | |
|----|------------|---|---|-------------------------|
| 16 | 11707.1000 | - | - | Tube, .25" Dia. x 12" |
| | 11707.1001 | - | - | Tube, .25" Dia. x 36" |
| | 11707.1002 | - | - | Tube, .25" Dia. x 120" |
| 17 | 28526.1000 | - | - | Tube, .313" Dia. x 12" |
| | 28526.1001 | - | - | Tube, .313" Dia. x 36" |
| | 28526.1002 | - | - | Tube, .313" Dia. x 60" |
| | 28526.1003 | - | - | Tube, .313" Dia. x 120" |

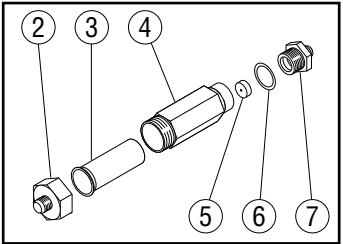
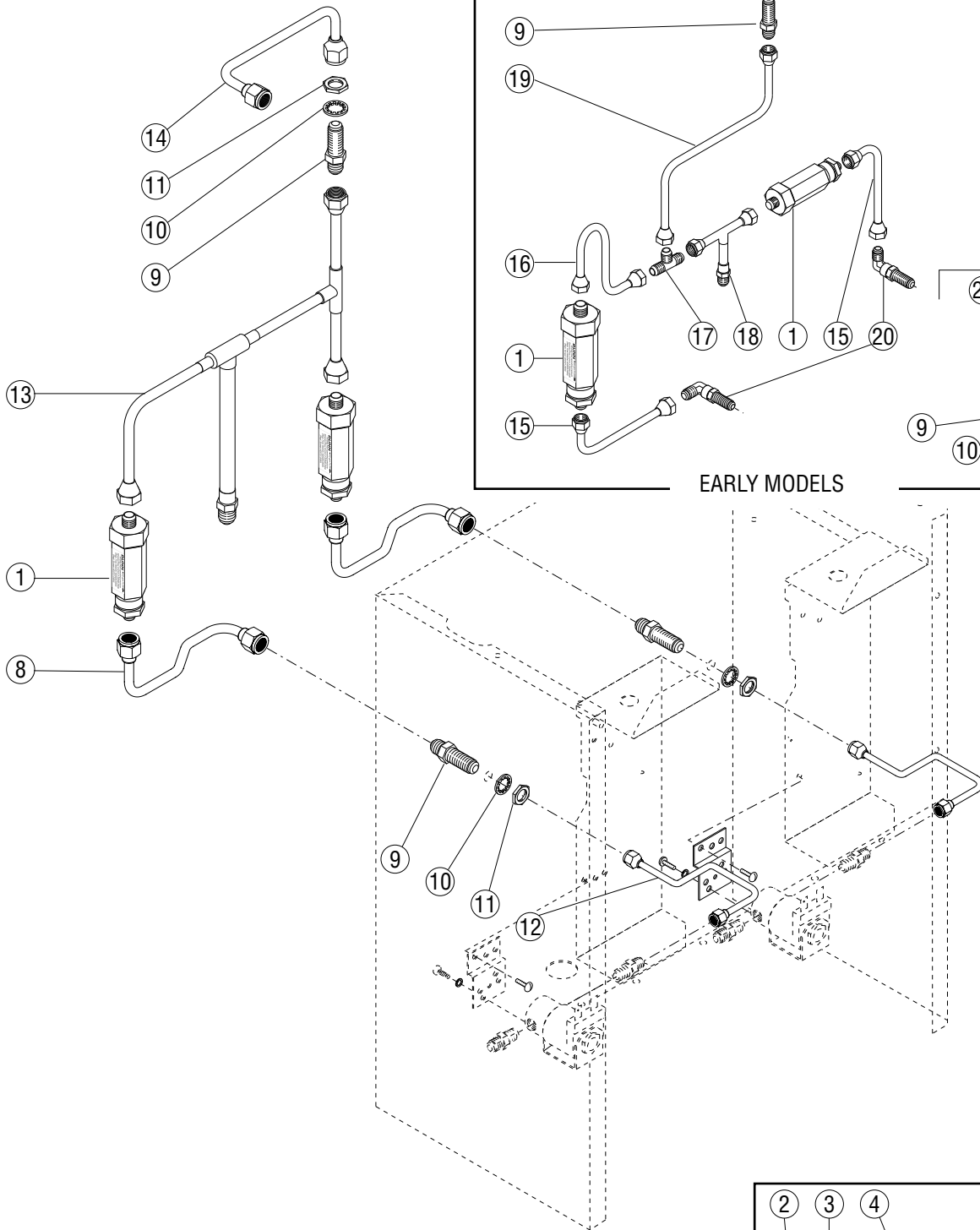
* Indicates the part number listed is for reference only.



MANIFOLD AND LINES - LATER TWINS

| ITEM | PART NO. | QTY. TWIN | QTY. SINGLE | DESCRIPTION |
|------|-------------|--------------|----------------|---|
| 1 | 33643.0000 | 2 | - | Tube, Manifold to Bulkhead |
| 2 | 00436.0001 | 2 | - | Union, Tn PI-.250 Flare Male |
| 3 | 41268.0000* | 1 | - | Tube Assy, Manifold (Not available, order item 4) |
| 4 | 41267.0000 | 1 | - | Tube Assy, Manifold (Late Models) |
| 5 | 00459.0000 | 3 | - | Fitting, Bulkhead .250" Flare |
| 6 | 01532.0000 | 3 | - | Lockwasher, Internal Tooth .438" I.D. |
| 7 | 00463.0000 | 3 | - | Nut, Hex .438"-20 |
| 8 | 41281.0000 | 2 | - | Tube, Bulkhead to Solenoid |
| 9 | 23413.0000 | 1 | - | Tube Assy, Bulkhead to Coil (Faucet) |

* Indicates the part number listed is for reference only.

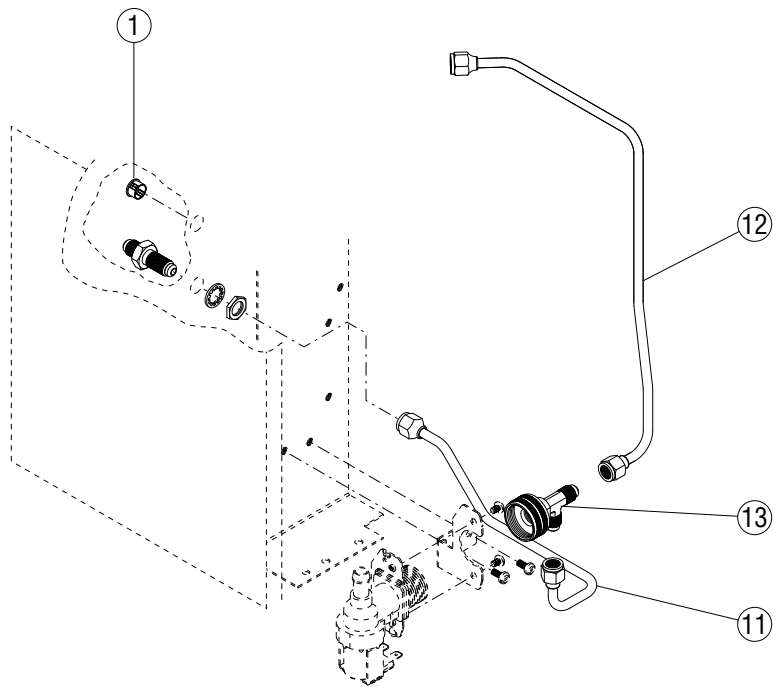


STRAINER/FLOW CONTROL AND LINES - EARLY TWINS

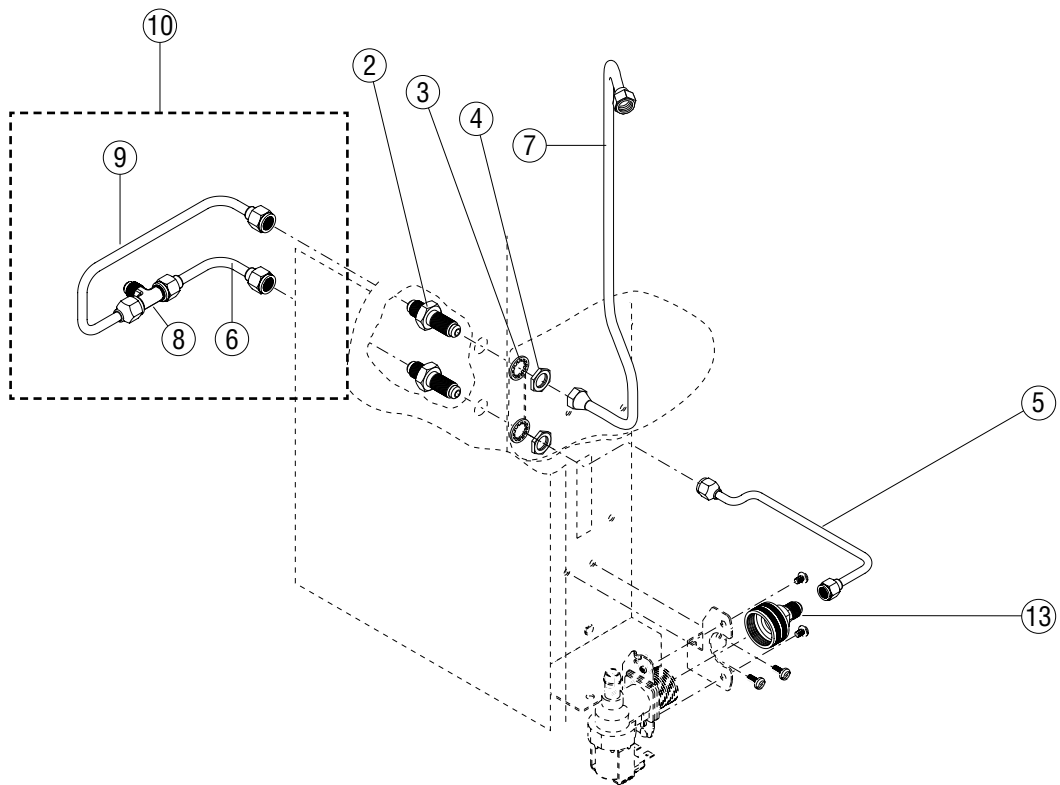
| ITEM | PART NO. | QTY. | QTY. | DESCRIPTION |
|------|-------------|------|--------|--|
| | | TWIN | SINGLE | |
| 1 | 22300.0222 | 2 | 1 | Strainer/Flow Control Assy .222 GPM (Includes # 2 - 7) |
| 2 | 22249.0000 | 2 | 1 | Cap |
| 3 | 23721.0000 | 2 | 1 | Screen |
| 4 | 22312.0000* | 2 | 1 | Housing (Order # 1) |
| 5 | 20526.1222 | 2 | 1 | Flow Washer/Gasket Set, .222 GPM (Includes # 6) |
| 6 | 01155.0000 | 2 | 1 | Gasket |
| 7 | 01154.0000 | 2 | 1 | Fitting, Flow Control Outlet |
| 8 | 33643.0000 | 2 | - | Tube, Strainer/Flow Control to Bulkhead (Late Models) |
| 9 | 00459.0000 | 3 | 1 | Fitting, Bulkhead .250" Flare |
| 10 | 01532.0000 | 3 | 1 | Lockwasher, Internal Tooth .438" I.D. |
| 11 | 00463.0000 | 3 | 1 | Nut, Hex .438"-20 |
| 12 | 41281.0000 | 2 | - | Tube, Bulkhead to Solenoid |
| 13 | 33637.0000 | 1 | - | Tube Assy, Manifold (Late Models) |
| 14 | 23413.0000 | 1 | - | Tube Assy, Bulkhead to Coil (Late Models) |
| 15 | 21814.0011 | 2 | - | Tube Assy, Strainer/Flow Control to Bulkhead Fittings (Early Models) |
| 16 | 26318.0000 | 1 | - | Tube Assy, Tee to Left Strainer/Flow Control (Early Models) |
| 17 | 20577.0001 | 1 | - | Tee .25" Flare (Early Models) |
| 18 | 24220.0000 | 1 | - | Tube Assy (Early Models) |
| 19 | 26301.0000 | 1 | - | Tube Assy, Tee to Bulkhead (Early Models) |
| 20 | 23924.0000 | 2 | - | Fitting Assy, 90° Bulkhead .250" Flare (Early Models) |
| 21 | 23925.0000 | 2 | - | Elbow, 90° Tube .25"OD to .25" Fem Flare |
| 22 | 24684.0000 | 2 | - | Gasket, .25" Flare (Copper) |

* Indicates the part number listed is for reference only.

3rd STYLE

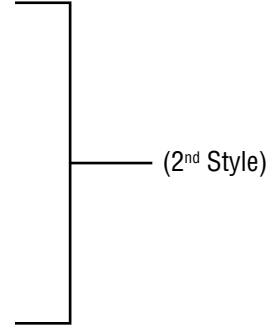


2nd STYLE

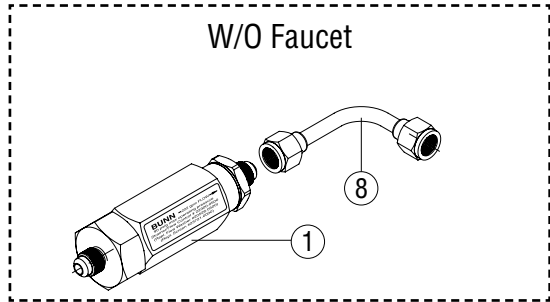


MANIFOLD ASSEMBLIES - LATER SINGLES

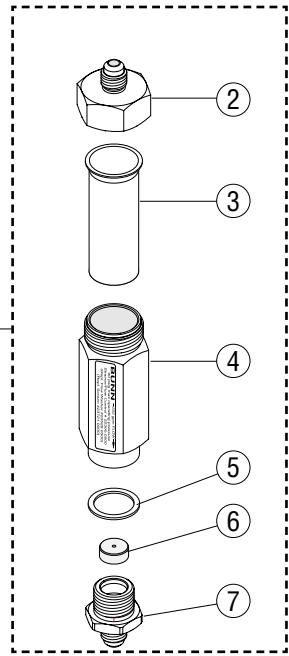
| ITEM | PART NO. | QTY. | QTY. | DESCRIPTION |
|------|------------|------|--------|--|
| | | TWIN | SINGLE | |
| 1 | 00669.0003 | - | 1 | Plug, Hole-Nyl Blk .43 Hole Dia |
| 2 | 00459.0001 | - | 1 | Fitting, Bulkhead .250" Flare (1 Additional used on 2 nd Style) |
| 3 | 01532.0000 | - | 1 | Lockwasher, Internal Tooth .438" I.D. (1 Additional used on 2 nd Style) |
| 4 | 00463.0000 | - | 1 | Nut, Hex .438"-20 (1 Additional used on 2 nd Style) |
| 5 | 41252.0000 | - | 1 | Tube, Bulkhead to Solenoid |
| 6 | 21814.0016 | - | 1 | Tube |
| 7 | 20690.0000 | - | 1 | Tube Assy, Bulkhead to Coil |
| 8 | 20577.0001 | - | 1 | Tee .25" Flare |
| 9 | 41257.0000 | - | 1 | Tube Assy, |
| 10 | 41254.0000 | - | 1 | Tube Assy, |
| 11 | 41252.0001 | - | 1 | Tube Assy, Bulkhead To Tee (3 rd Style) |
| 12 | 20690.0003 | - | 1 | Tube Assy, Tee To Tank Coil (3 rd Style) |
| 13 | 37297.1002 | - | 1 | Fitting, 1/4" Flare X 3/4" Fthrd (2 nd Style) |
| | 37297.1005 | - | 1 | Tee,.125 Mpt X .75 Hose (3 rd Style) |



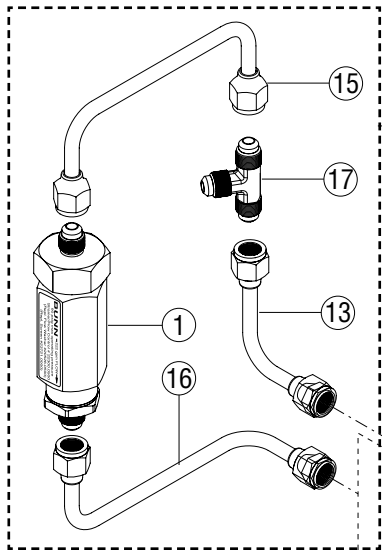
* Indicates the part number listed is for reference only.



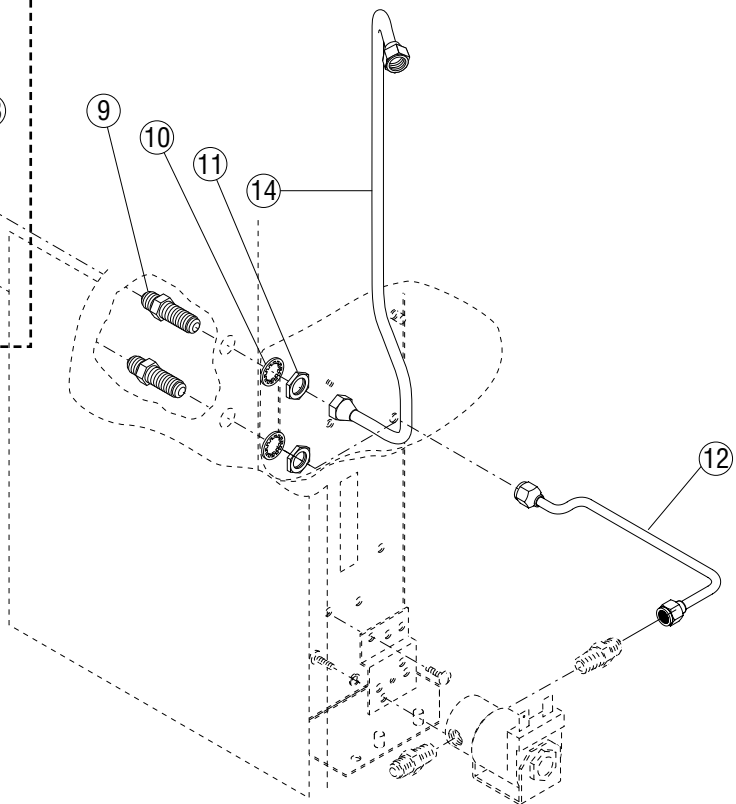
19



1



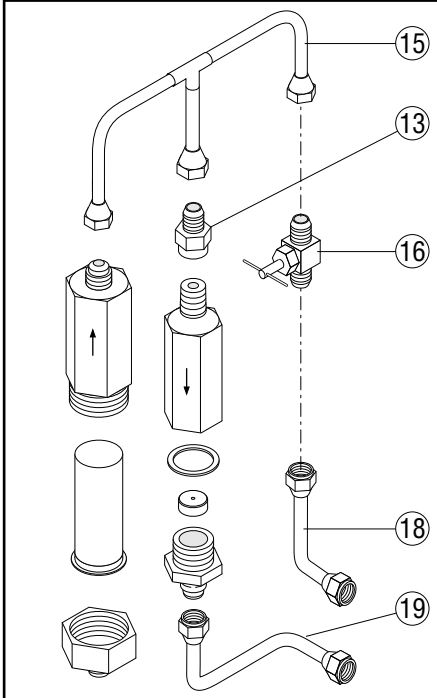
18



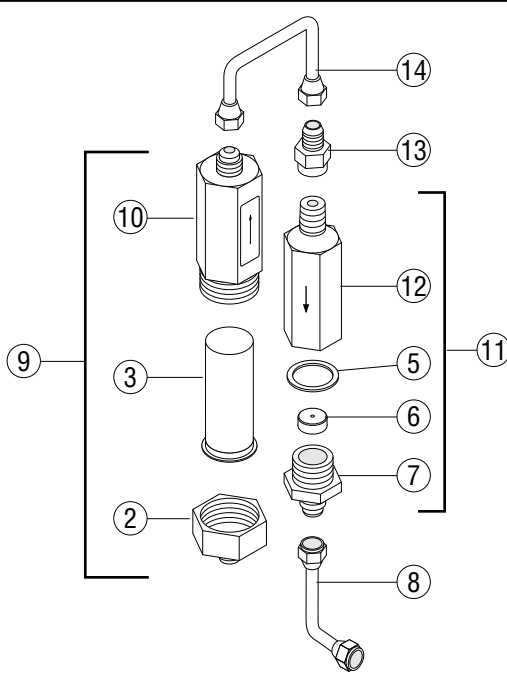
STRAINER/FLOW CONTROL - SECOND STYLE SINGLES

| ITEM | PART NO. | QTY. | QTY. | DESCRIPTION |
|------|-------------|------|--------|--|
| | | TWIN | SINGLE | |
| 1 | 22300.0222 | 2 | 1 | Strainer/Flow Control Assy .222 GPM (Includes # 2 - 7) |
| 2 | 22249.0000 | 2 | 1 | Cap |
| 3 | 23721.0000 | 2 | 1 | Screen |
| 4 | 22312.0000* | 2 | 1 | Housing (Order # 1) |
| 5 | 01155.0000 | 2 | 1 | Gasket |
| 6 | 20526.1222 | 2 | 1 | Flow Washer/Gasket Set, .222 GPM (Includes # 5) |
| 7 | 01154.0000 | 2 | 1 | Fitting, Flow Control Outlet |
| 8 | 00310.0000 | - | 1 | Tube, Strainer/Flow Control to Bulkhead |
| 9 | 00459.0000 | 3 | 1 | Fitting, Bulkhead .250" Flare |
| 10 | 01532.0000 | 3 | 1 | Lockwasher, Internal Tooth .438" I.D. |
| 11 | 00463.0000 | 3 | 1 | Nut, Hex .438"-20 |
| 12 | 41252.0000 | - | 1 | Tube, Bulkhead to Solenoid |
| 13 | 21814.0016 | 1 | - | Tube |
| 14 | 20690.0000 | - | 1 | Tube Assy, Bulkhead to Coil |
| 15 | 26216.0000 | - | 1 | Tube Assy, |
| 16 | 26217.0000 | - | 1 | Tube Assy |
| 17 | 20577.0001 | 1 | - | Tee .25" Flare |
| 18 | 24394.0222 | 1 | - | Manifold Assy (With Faucet) |
| 19 | 24356.0222 | 1 | - | Manifold Assy (W/O Faucet) |

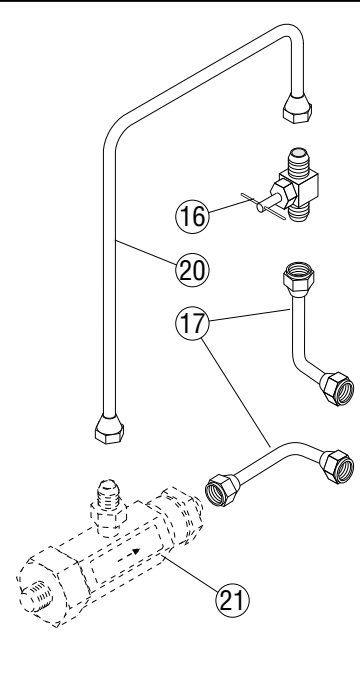
* Indicates the part number listed is for reference only.



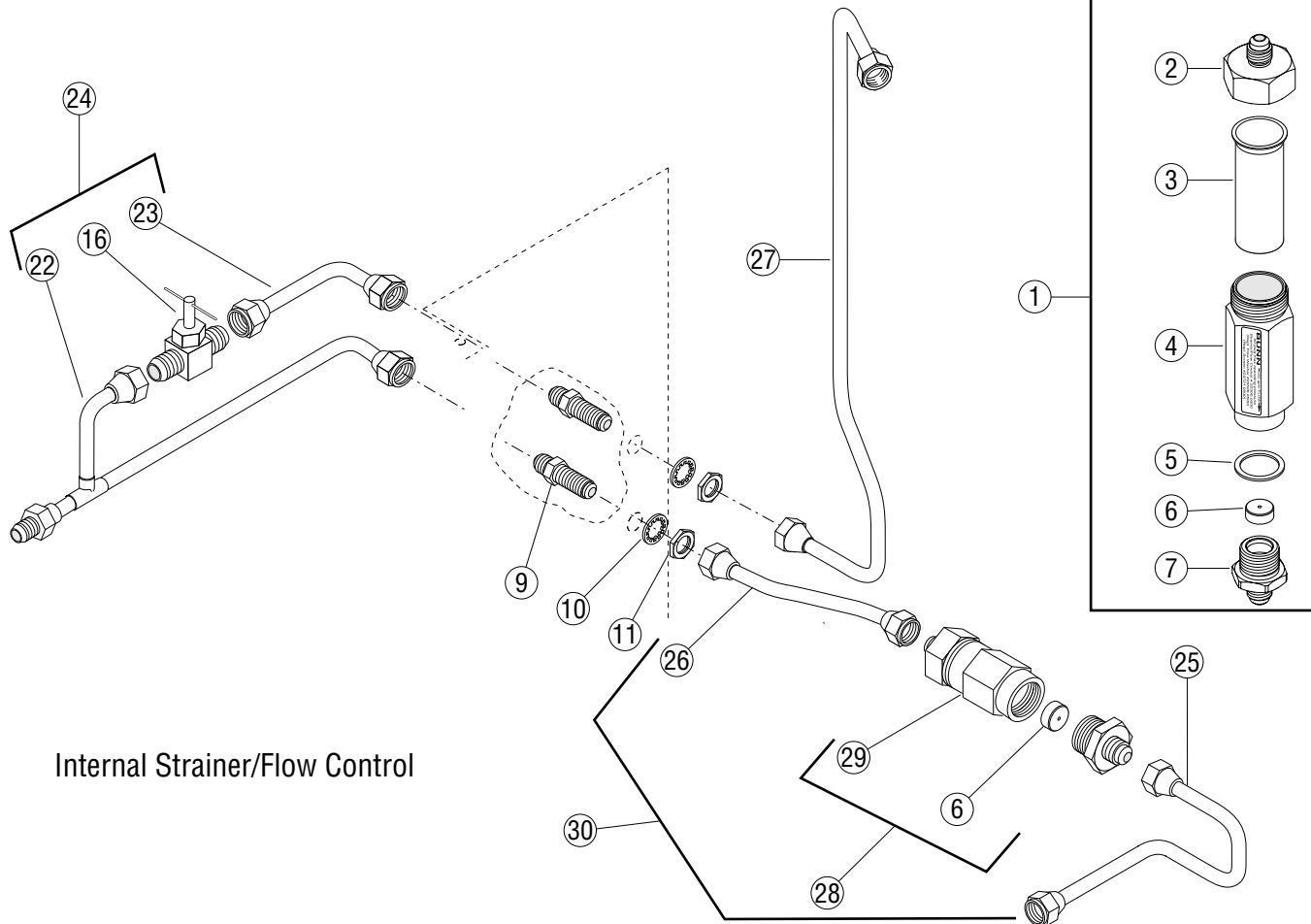
FIRST TYPE W/FAUCET



FIRST TYPE W/O FAUCET



SECOND TYPE W/FAUCET

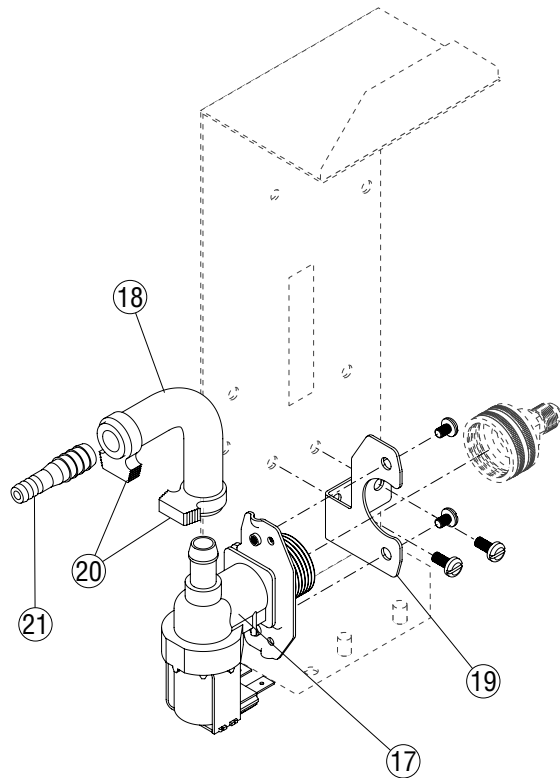
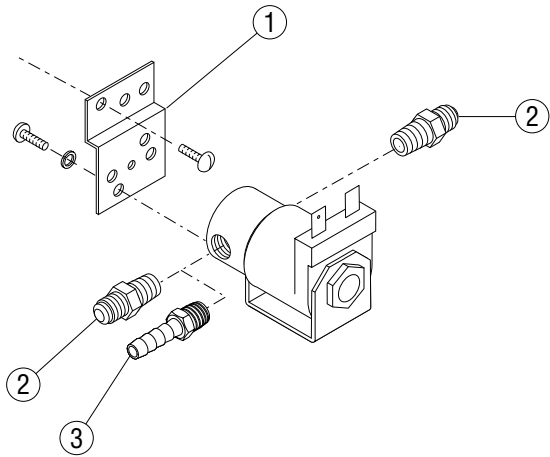


Internal Strainer/Flow Control

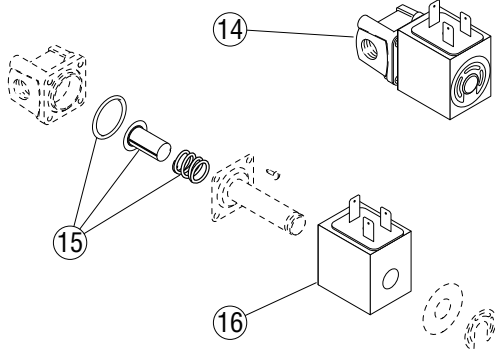
STRAINER/FLOW CONTROL - FIRST STYLE SINGLES

| ITEM | PART NO. | QTY. | QTY. | DESCRIPTION |
|------|-------------|------|--------|---|
| | | TWIN | SINGLE | |
| 1 | 22300.0222 | 2 | 1 | Strainer/Flow Control Assy. .222 GPM (Includes # 2 - 7) |
| 2 | 22249.0000 | 2 | 1 | Cap |
| 3 | 23721.0000 | 2 | 1 | Screen |
| 4 | 22312.0000* | 2 | 1 | Housing (Order # 1) |
| 5 | 01155.0000 | 2 | 1 | Gasket |
| 6 | 20526.1222 | 2 | 1 | Flow Washer/Gasket Set, .222 GPM (Includes # 5) |
| 7 | 01154.0000 | 2 | 1 | Fitting, Flow Control Outlet |
| 8 | 00310.0000 | - | 1 | Tube Assy. Strainer/Flow Control to Bulkhead |
| 9 | 23820.1000 | - | 1 | Strainer Assy. .250" Flare (Includes # 2,3,10) |
| 10 | 23819.0000* | - | 1 | Housing (Order # 9) |
| 11 | 20528.1222 | - | 1 | Flow Control Assy. .222 GPM (Includes # 5,6,7,12) |
| 12 | 20527.0001* | - | 1 | Housing (Order # 11) |
| 13 | 00445.0001 | - | 1 | Connector, .250" Flare x .125" FPT |
| 14 | 04572.0000 | - | 1 | Tube Assy. |
| 15 | 12909.0000 | - | 1 | Tube Assy. Manifold |
| 16 | 00484.0001 | - | 1 | Needle Valve, .25" Flare |
| 17 | 21812.0002 | - | 2 | Tube Assy. |
| 18 | 00310.0002 | - | 1 | Tube Assy. |
| 19 | 12908.0000 | - | 1 | Tube Assy. |
| 20 | 24393.0000 | - | 1 | Tube Assy. |
| 21 | 22312.0001* | - | 1 | Strainer/Flow Control Assy. NOT AVAILABLE (Refer to # 24394.0222) |
| 22 | 20785.0000 | - | 1 | Tube Assy. Manifold |
| 23 | 21812.1006 | - | 1 | Tube Assy. |
| 24 | 20784.0000 | - | 1 | Manifold/ Needle Valve Assy. |
| 25 | 20786.1000 | - | 1 | Tube Assy. |
| 26 | 20782.1000 | - | 1 | Tube Assy. |
| 27 | 20690.0000 | - | 1 | Tube Assy, Bulkhead to Coil |
| 28 | 01148.0001 | - | 1 | Strainer/Flow Control Assy. .222 GPM |
| 29 | 01148.0000 | - | 1 | Strainer/Flow Control Assy. .175 GPM |
| 30 | 20783.0000 | - | 1 | Strainer/Flow Control Assy. .222 GPM (Includes # 25,26,28) |

* Indicates the part number listed is for reference only.



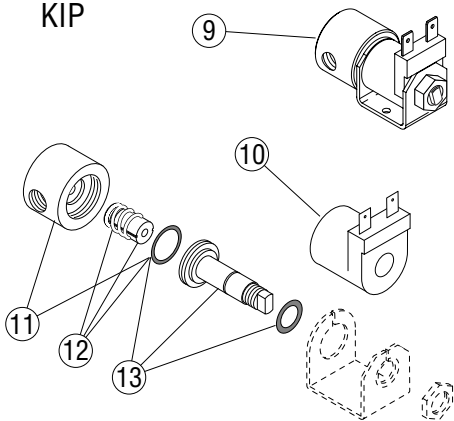
ASCO



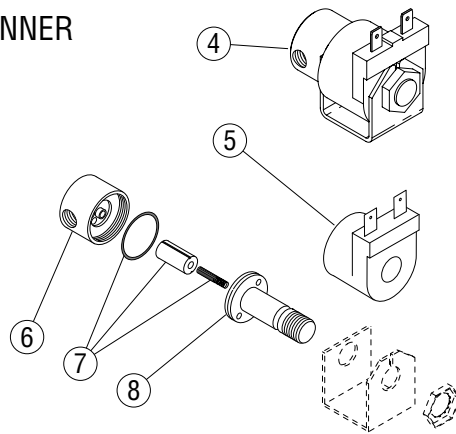
16

ELTEK

KIP



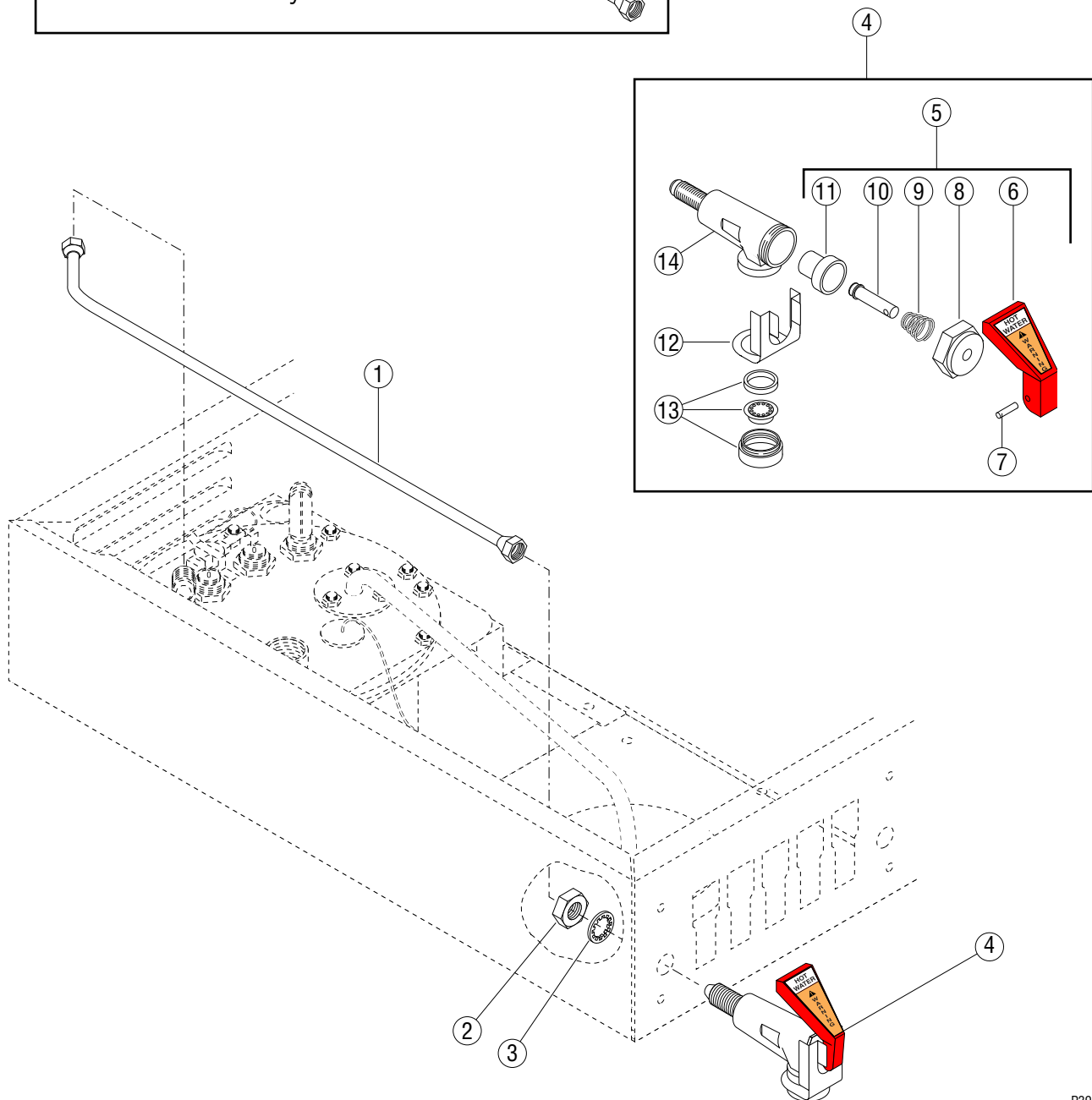
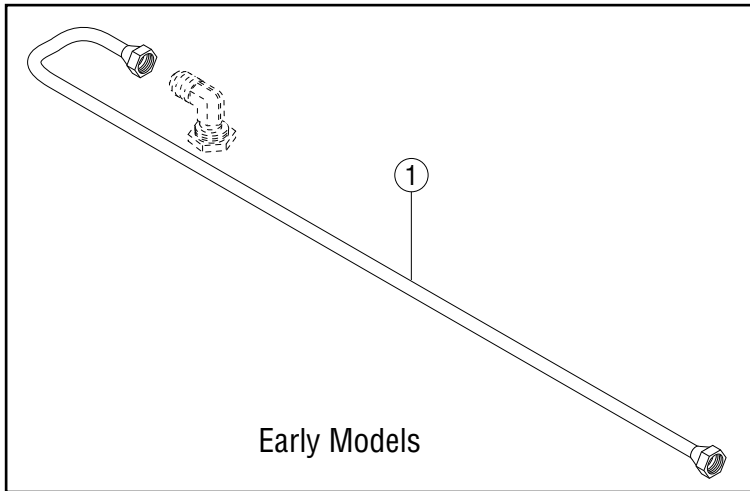
SKINNER



FILL SOLENOIDS

| ITEM | PART NO. | QTY. TWIN | QTY. SINGLE | DESCRIPTION |
|--|-------------|--------------|----------------|---|
| 1 | 07441.0000 | 2 | 1 | Bracket, Solenoid Mounting |
| | 02308.0000 | 4 | 2 | Screw, #8-32 X .375" (Bracket - Bracket) |
| | 01327.0000 | 4 | 2 | Screw, Pan Head #10-32 x .375" (Bracket - Solenoid) |
| | 01502.0000 | 4 | 2 | Lockwasher, Split #10 (Bracket - Solenoid) |
| 2 | 00402.0001 | 2 | 1 | Connector, Male .25" Flare x .125" MPT (2 Used On Early Models) |
| 3 | 22397.0001 | 2 | 1 | Fitting, .25" Barb x .125" MPT (Current Models) |
| 4 | 01085.0000 | 2 | 1 | Solenoid Valve, 120V - 1.48" Dia Coil |
| | 01975.0000 | 2 | 1 | Solenoid Valve, 240V - 1.48" Dia Coil |
| | 21180.0000 | 2 | 1 | Solenoid Valve, 200V - 1.48" Dia Coil |
| 5 | 01100.0000 | 2 | 1 | Coil - 240V |
| | 01101.0000 | 2 | 1 | Coil - 120V |
| | 21181.0000 | 2 | 1 | Coil - 200V |
| 6 | 01079.0000 | 2 | 1 | Base |
| 7 | 01111.0000 | 2 | 1 | Repair Kit |
| 8 | 01116.0000 | - | 1 | Guide |
| 9 | 01085.0002 | 2 | 1 | Solenoid Valve, 120V - 1.0" Dia Coil |
| 10 | 28480.0000 | 2 | 1 | Coil - 120V |
| 11 | 28479.0000 | 1 | 1 | Solenoid Valve Base Kit - 1" Dia Coil (Includes O-ring) |
| 12 | 01111.0002 | 1 | 1 | Repair Kit - 1" Dia Coil (Includes Plunger, Spring and O-ring) |
| 13 | 28481.0000 | 1 | 1 | Guide Kit - 1" Dia Coil (Includes Washer & O-ring) |
| 14 | 28005.0000 | 2 | 1 | Solenoid Valve, 240V |
| 15 | 28021.0000 | 2 | 1 | Repair Kit |
| 16 | 28020.0000 | 2 | 1 | Coil - 240V |
| 17 | 42025.0000 | 2 | 1 | Kit, Universal Replacement Solenoid, 120V |
| | 42025.0001 | 2 | 1 | Kit, Universal Replacement Solenoid, 230V |
| | 41255.0002 | - | 1 | Solenoid Valve 200V |
| | 41255.0003 | - | 1 | Solenoid Valve 100V |
| | 32283.0000 | 4 | 2 | Screw, Sst Sltd Pnh M4 X 6MM |
| | 41935.0000 | 2 | 1 | Kit, Solenoid Retrofit, 120V (Includes 17 - 22) |
| | 41935.0001 | 2 | 1 | Kit, Solenoid Retrofit, 230V (Includes 17 - 22) |
| 18 | 20976.0006* | 2 | 1 | Tube, Silicone .38ID x .62OD x 4.50 (Order # 22) |
| 19 | 41256.0000 | 2 | 1 | Bracket |
| | 02308.0000 | 4 | 2 | Screw, #8-32 X .375" (Bracket - Bracket) |
| 20 | 12422.0001 | 4 | 2 | Clamp, SNP - 10 |
| 21 | 26443.0001 | 2 | 1 | Reducer, SST Hose Barb .38X.25 |
| The Following Items Are Not Illustrated | | | | |
| 22 | 20976.1000 | - | - | Tube, .375" ID x 12" (Use as required) |
| | 20976.1001 | - | - | Tube, .375" ID x 36" (Use as required) |
| | 20976.1002 | - | - | Tube, .375" ID x 120" (Use as required) |

* Indicates the part number listed is for reference only.



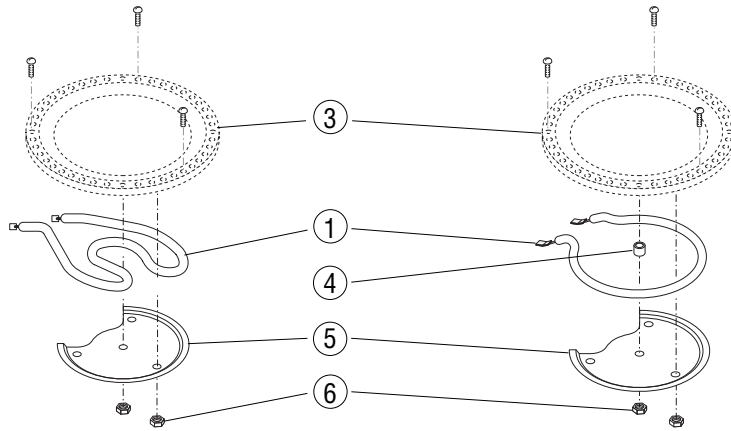
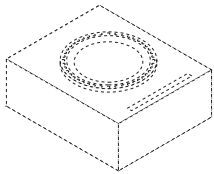
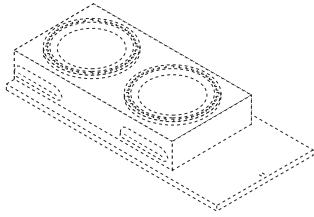
FAUCET AND TUBING

| ITEM | PART NO. | QTY. | | DESCRIPTION |
|------|------------|------|--------|--|
| | | TWIN | SINGLE | |
| 1 | 20691.0001 | 1 | 1 | Tube Assembly, Coil to Faucet (Early Models) |
| | 20691.0000 | 1 | 1 | Tube Assembly, Coil to Faucet (Late Models) |
| 2 | 00463.0000 | 1 | 1 | Faucet Jam Nut |
| 3 | 01532.0000 | 1 | 1 | Lockwasher, Internal Tooth .438" I.D. |
| 4 | 12915.0000 | 1 | 1 | Faucet, Hot Water (Includes items 5 thru 14) |
| 5 | 13061.0000 | 1 | 1 | Faucet Handle/Stem Assembly (Includes items 6 thru 11) |
| 6 | 13053.0000 | 1 | 1 | Faucet Handle Kit (Includes item 7) |
| 7 | 02858.0000 | 1 | 1 | Pin, Spring .125" Dia x .50" |
| 8 | 13060.0000 | 1 | 1 | Faucet Bonnet Nut |
| 9 | 13055.0000 | 1 | 1 | Faucet Spring |
| 10 | 13054.0000 | 1 | 1 | Faucet Stem |
| 11 | 13056.0000 | 1 | 1 | Faucet Seat Cup |
| 12 | 13057.0000 | 1 | 1 | Faucet Safety Clip |
| 13 | 13058.1000 | 1 | 1 | Kit, Faucet Aerator |
| 14 | 35129.0000 | 1 | 1 | Body, Faucet (Not available. Order item 4) |

* Indicates the part number listed is for reference only.

UPPER & SIDE HOUSING WARMERS

(A)

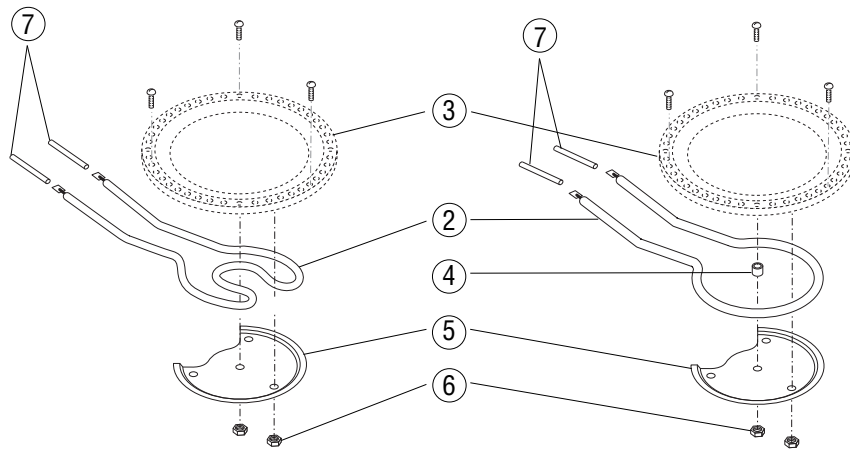
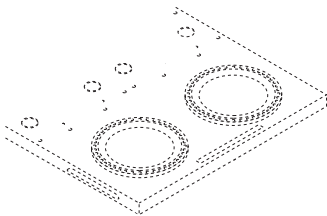
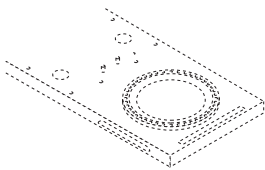


'A' & 'B' MODELS ONLY

120V & 120/240V MODELS ONLY

BASE WARMERS

(B)



'A' & 'B' MODELS ONLY

120V & 120/240V MODELS ONLY

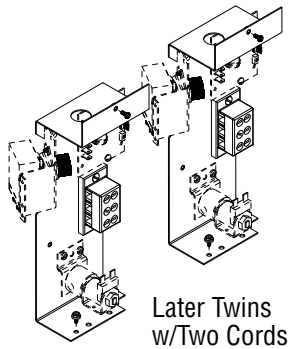
WARMER ASSEMBLIES

| ITEM | PART NO. | QTY. TWIN | QTY. SINGLE | DESCRIPTION | |
|--|-------------|--------------|----------------|--|---|
| A | 03652.0000 | 1 | | Warmer Assembly 120V, Top & Side Warmers (Includes items 1, & 3 - 6) | |
| | 11440.0009 | 1 | | Warmer Assembly 220V, Top & Side Warmers (Includes items 1, 3, 5, & 6) | |
| | 11440.0011 | 1 | | Warmer Assembly 200V, Top & Side Warmers (Includes items 1, 3, 5, & 6) | |
| | 01303.0000 | 3 | | Screw, Pan Head - SST #4-40 x .5" | |
| | 00916.0000 | 3 | | Fastener, J-Type #4-40 | |
| | 1 | 01227.0000 | 1 | | Warmer Element 120V Top & Side Warmers |
| | | 01951.0000 | 1 | | Warmer Element 220V Top & Side Warmers ("A" Models) |
| | | 01951.0001 | 1 | | Warmer Element 200V Top & Side Warmers ("B" Models) |
| | B | 11440.0005 | 1 | | Warmer Assembly 120V, Base Warmers (Includes items 2-7) (Single CW) |
| | | 11440.0008 | 1 | | Warmer Assembly 220V, Base Warmers (Includes items 2, 3, 5, & 6) |
| 11440.0010 | | 1 | | Warmer Assembly 200V, Base Warmers (Includes items 2, 3, 5, & 6) | |
| 01303.0000 | | 3 | | Screw, Pan Head - SST #4-40 x .5" | |
| 00916.0000 | | 3 | | Fastener, J-Type #4-40 | |
| 2 | | 11442.0000 | 1 | | Warmer Element 120V Base Warmers (Single CW) |
| | | 11438.0000 | 1 | | Warmer Element 220V Base Warmers ("A" Models) |
| | | 11438.0001 | 1 | | Warmer Element 200V Base Warmers ("B" Models) |
| 3 | | 03656.0000 | 1 | | Warmer Dish, Blk 45 Hole |
| 4 | | 13042.0001 | 1 | | Spacer, (120V Models Only) |
| 5 | 05212.0000 | 1 | | Plate, Element Retaining | |
| 6 | 00970.0000 | 2 | | Nut, Keps #8-32 | |
| 7 | 04828.0001* | 2 | | Tube, Silicone .25" Dia x 1.875" LG. (Order Item 8) | |
| The Following Items Are Not Illustrated | | | | | |
| 8 | 04828.1001 | - | | Tube, Silicone .25" Dia. x 24" LG (Use as required) | |
| 9 | 24785.0002 | 1 | | Galley Kit, "C" Series, 3 Warmers | |
| 10 | 21016.0011 | 1 | | Ground Wire, 15.0" LG.- Lower Warmer to Ground Screw | |
| 11 | 21016.0012 | 1 | | Ground Wire, 10.0" LG.- Upper Warmer to Upper Warmer | |
| 12 | 21016.0027 | 1 | | Ground Wire, 26.0" LG.- Lower Warmer to Ground Screw | |

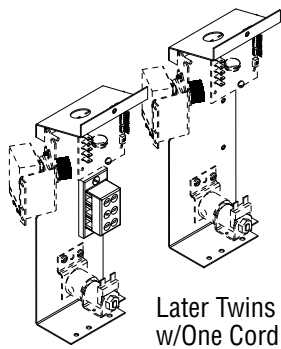


All warmers listed above are rated @ 100 watts

* Indicates the part number listed is for reference only.

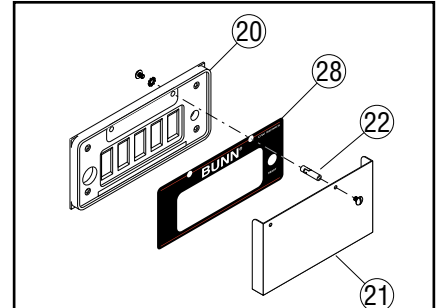
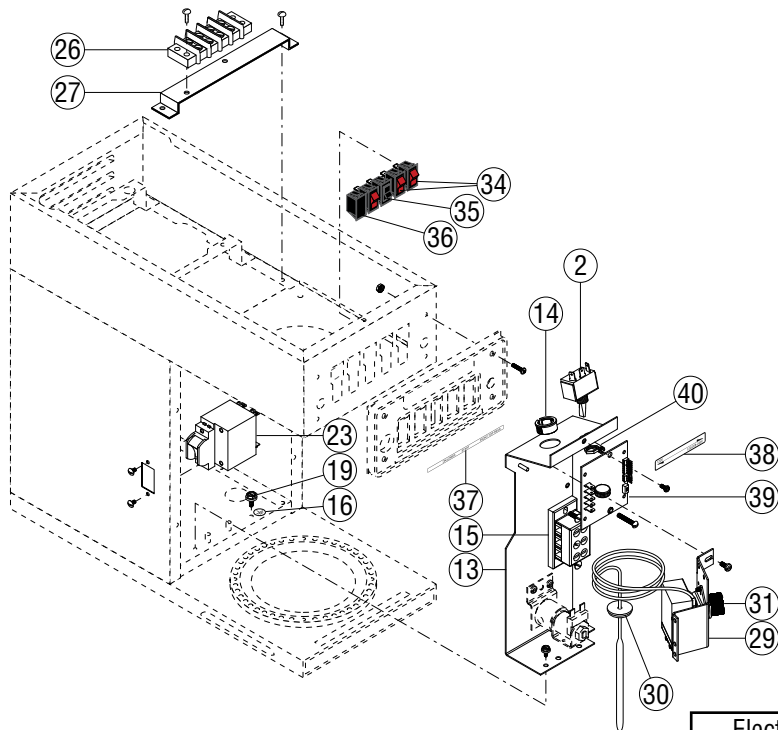
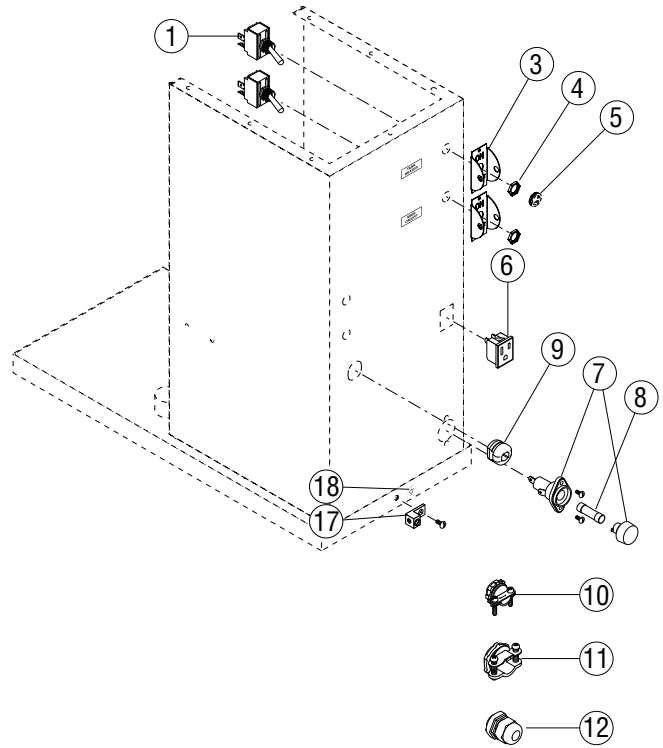
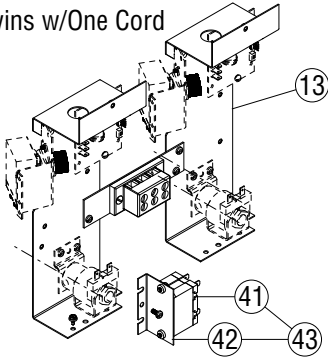


Later Twins
w/Two Cords

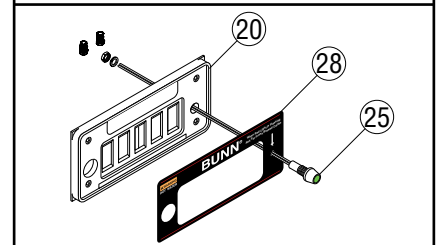


Later Twins
w/One Cord

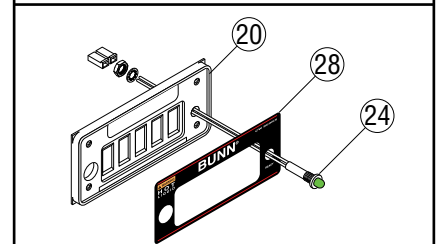
Early Twins w/One Cord



Brewers w/Switch Cover

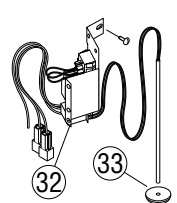


Brewers w/Fresh Timer



Brewers w/Ready Light

Electronic
Thermostat

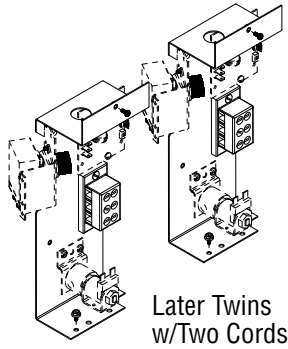


ELECTRICAL AND OPERATING CONTROLS

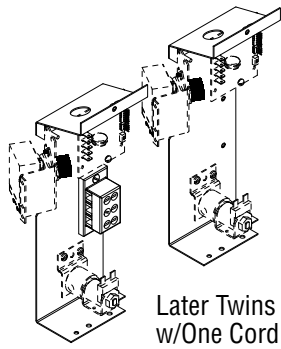
| ITEM | PART NO. | QTY. | | DESCRIPTION |
|------|------------|------|--------|---|
| | | TWIN | SINGLE | |
| 1 | 28004.0000 | - | 2 | Toggle Switch, (DPST) (Includes Hex Nut) (A Models) |
| | 40763.0001 | - | 2 | Toggle Switch, (DPST) (Includes Hex Nut) (4 Used on 0/6 Twin w/2 Cords) |
| 2 | 23522.1001 | - | 1 | Toggle Switch, (Dual Volt, SPDT) (Includes Hex Nut) |
| 3 | 25102.0000 | - | 1 | Bracket, Switch Guard (ON/OFF) |
| | 25102.0001 | - | 1 | Bracket, Switch Guard (I/O) |
| 4 | 23696.0000 | 2 | 1 | Hex Nut (2 Used on DV) |
| 5 | 23697.0000 | 2 | 1 | Plastic Face Nut |
| 6 | 03628.0000 | - | 1 | Receptacle, Grounded |
| 7 | 28176.0000 | - | 1 | Fuse Holder |
| | 02308.0000 | - | 2 | Screw, Pan Head #8-32 x .375" |
| 8 | 22012.0002 | - | 1 | Fuse, 20 amp |
| 9 | 01686.0000 | - | 1 | Bushing, Strain Relief (15A Models only) |
| 10 | 01685.0000 | - | 1 | Bushing, Strain Relief (20/35 & MV/DV Models) |
| 11 | 01590.0000 | 1 | - | Bushing, Strain Relief (2 Used on 2 Cord TWIN's) |
| 12 | 05746.1000 | 1 | 1 | Bushing, Strain Relief (A Models) |
| 13 | 12698.0005 | 2 | 1 | Bracket, Component Mounting (All Models Except 2 Cord Twins) |
| | 12698.0004 | 2 | - | Bracket, Component Mounting (2 Cord Twins Only) |
| | 12698.0003 | - | - | Bracket, Component Mounting (Single CW Only) |
| | 02308.0000 | 2 | 1 | Screw, Pan Head #8-32 x .375" |
| | 02332.0001 | 2 | 1 | Screw, Hex CrimpTite #6-32 x .25" |
| 14 | 00606.0000 | 2 | 1 | Bushing .875 Dia. |
| 15 | 01106.0000 | - | 1 | Terminal Block, 2-pole 120V (Black-White) |
| | 01106.0001 | - | 1 | Terminal Block, 2-pole 240V (Black-Red) |
| | 01106.0003 | - | 1 | Terminal Block, 2-pole 230V (Brown-Blue) (CE) |
| | 07038.0000 | 3 | 1 | Terminal Block, 3-pole 120/240V (Black-White-Red) |
| | 01317.0000 | 4 | 2 | Screw #8-32 x .5" |
| 16 | 00824.0002 | 1 | 1 | Decal, Ground (One Additional w/Two Cords) |
| 17 | 27705.0000 | - | 1 | Terminal Lug (CE) |
| | 01327.0000 | - | 1 | Screw, PNH 10-32 x .375" |
| 18 | 00824.0001 | 1 | 1 | Decal, Equipotentiality (CE Only) |
| 19 | 02337.0001 | 2 | 1 | Ground Screw, Hex Head #10 x .375" (Self Tap) |
| | 01309.0000 | 2 | 1 | Ground Screw, Pan Head #10-32 x .5" (Square Washer) |
| 20 | 13352.0008 | 2 | 1 | Control Panel |
| | 13352.0011 | 2 | 1 | Control Panel (w/Switch Cover) |
| | 02301.0000 | 8 | 4 | Screw, Phillips Pan Head #6-32 x .625" |
| | 00973.0000 | 8 | 4 | Nut, KEPS #6-32 |
| 21 | 27429.0000 | 2 | 1 | Switch Cover (Brass) |
| | 27429.0002 | 2 | 1 | Switch Cover (SST) |
| | 01308.0000 | 4 | 2 | Screw, SST Truss Head #6-32 x .25" (Brass Screw No Longer Available) |
| 22 | 12148.0000 | 2 | 1 | Spacer, Hinged |
| | 01308.0000 | 4 | 2 | Screw, SST Truss Head #6-32 x .25" |
| | 01510.0000 | 4 | 2 | Lockwasher, #6 External Tooth |
| 23 | 38894.0001 | 1 | 1 | Switch, On/Off (One Additional w/ Two Power Cord Twins) |
| | 01308.0002 | 2 | 2 | Screw, TRH #6-32 x .25" |

Continued on next page

* Indicates the part number listed is for reference only.

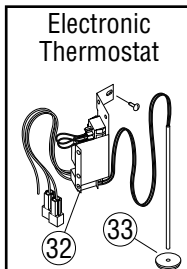
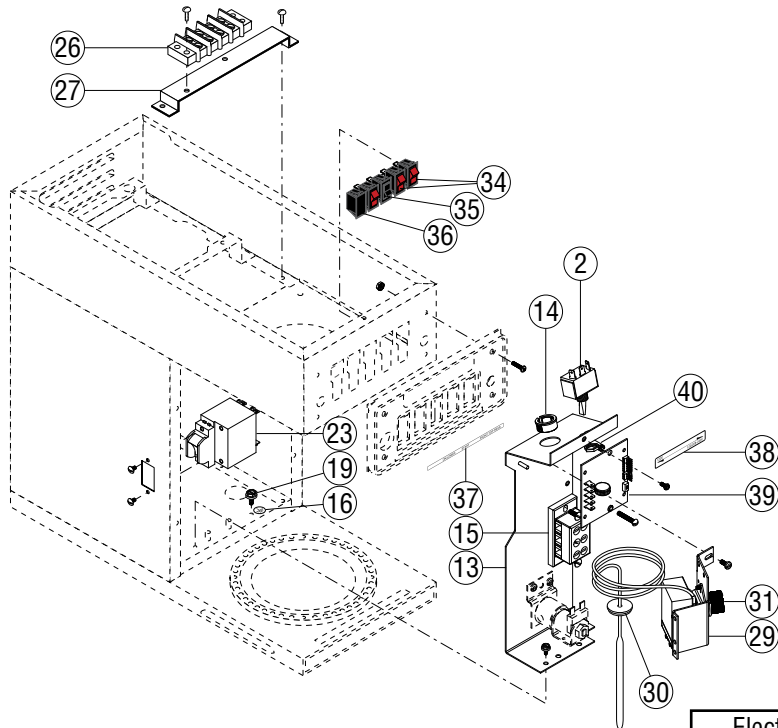
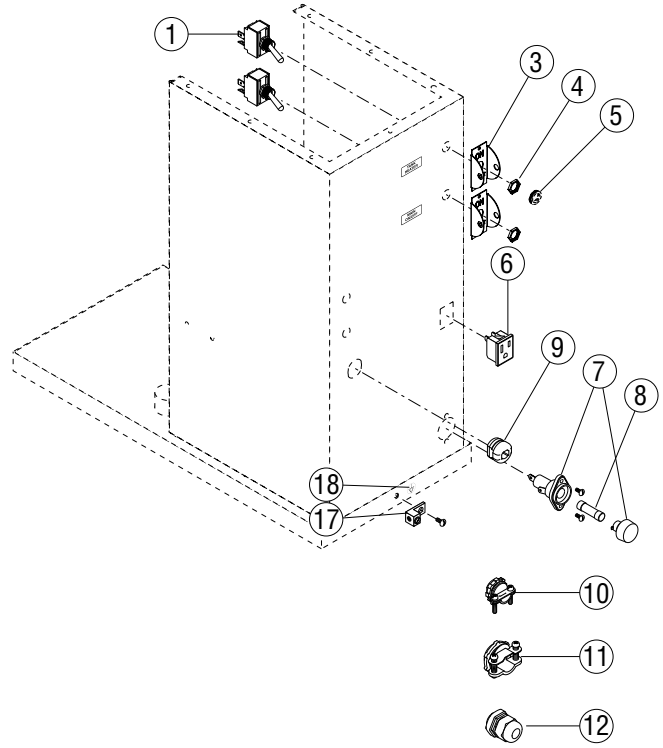
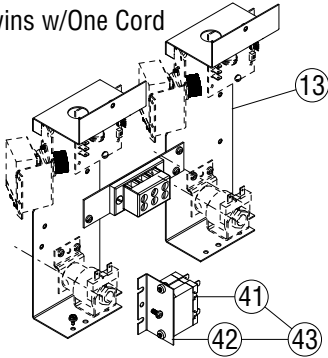


Later Twins
w/Two Cords

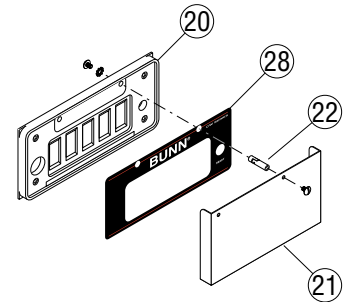


Later Twins
w/One Cord

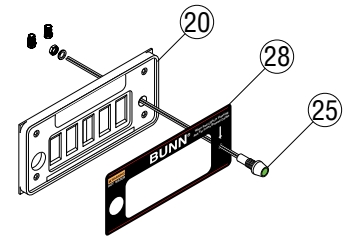
Early Twins w/One Cord



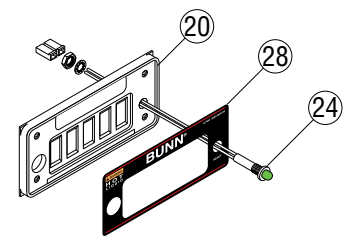
Electronic
Thermostat



Brewers w/Switch Cover



Brewers w/Fresh Timer

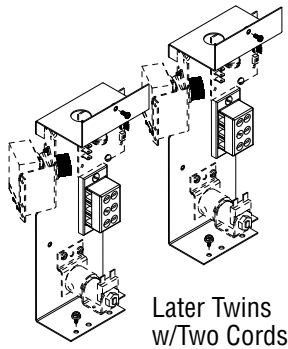


Brewers w/Ready Light

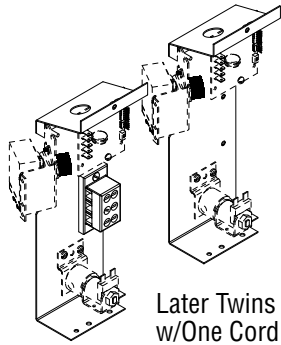
ELECTRICAL AND OPERATING CONTROLS

| ITEM | PART NO. | QTY. | | DESCRIPTION |
|------------|------------|------|---|--|
| | | TWIN | SINGLE | |
| 24 | 12984.0002 | - | 1 | Ready Light, 120V Green Neon (Includes Hardware as Shown) |
| | 12984.0004 | 2 | 1 | Ready Light, 240V Green Neon (Includes Hardware as Shown) |
| | 04243.0000 | 4 | 2 | Terminal Housing, Plastic |
| 25 | 12517.0003 | 2 | 1 | LED, Fresh Timer (Includes Hardware as Shown) |
| | 25292.0000 | 2 | 1 | Lock Washer, M6 |
| | 34130.0000 | 2 | 1 | Nut, M6 |
| | 03851.0000 | 4 | 2 | Wire Nut |
| 26 | 28177.0000 | - | 1 | Terminal Block |
| | 01317.0004 | - | 2 | Screw, Truss Head #8-32 x .625" |
| 27 | 28179.0000 | - | 1 | Bracket, Term. Block Mounting |
| 28 | 22289.0000 | 2 | 1 | Decal, Control Panel (No Faucet, No Light) |
| | 22289.0001 | 1 | 1 | Decal, Control Panel (No Faucet, w/Ready Light) |
| | 22289.0002 | - | 1 | Decal, Control Panel (w/Faucet, No Light) |
| | 22289.0003 | 1 | 1 | Decal, Control Panel (w/Faucet, w/Ready Light) |
| | 22289.0005 | 1 | - | Decal, Control Panel (No Faucet, w/Fresh LED) |
| | 22289.0006 | 1 | 1 | Decal, Control Panel (w/Faucet, w/Fresh LED) |
| | 22289.0012 | 1 | - | Decal, Control Panel (No Faucet, w/Ready Light & Switch Cover) |
| | 22289.0013 | 1 | 1 | Decal, Control Panel (w/Faucet, w/Ready Light & Switch Cover) |
| 29 | 04314.0001 | 2 | 1 | Mechanical Thermostat Kit, w/Leads (Includes Knob & Grommet) |
| | 28319.0000 | 2 | 1 | Mechanical Thermostat Kit, w/o Leads (Includes Knob & Grommet) |
| | 02308.0000 | 2 | 1 | Screw, Pan Head #8-32 x .375" |
| | 20762.0000 | 4 | 2 | Terminal Screws, Brass #8-32 x .25" |
| 30 | 07073.1000 | 2 | 1 | Kit, Grommet, Thermostat (Includes 1ea, early/new style) |
| 31 | 00720.0000 | 2 | 1 | Knob |
| 32 | 26527.1000 | 2 | 1 | Electronic Thermostat Kit, 120V (Includes Grommet) |
| 33 | 12570.0000 | 2 | 1 | Grommet, Electronic Thermostat |
| 34 | 12920.0000 | # | # | Warmer Switch, 120V |
| | 12920.0002 | # | # | Warmer Switch, 240V |
| | 27727.0001 | # | # | Warmer Switch, 230V (A Models) |
| | 20637.0000 | - | 1 | ½ Batch Switch (Single CW Only) |
| 35 | 01063.0000 | 2 | 1 | Start Switch, Momentary |
| | 27904.0001 | 2 | 1 | Start Switch, Momentary (A Models) |
| 36 | 12921.0000 | # | # | Switch Blank |
| | 27691.0002 | - | 1 | Ready Light (A Models Only) |
| 37 | 22295.0000 | - | 1 | Decal, Pour In (No Warmers) |
| | 22295.0001 | - | 1 | Decal, Pour In (One Top Warmer) |
| | 22295.0002 | - | 1 | Decal, Pour In (Three Lower Warmers) |
| | 22295.0003 | - | 1 | Decal, Pour In (One Top, Three Lower Warmers) |
| | 22295.0004 | 2 | 1 | Decal, Automatic (One Lower Warmer) |
| | 22295.0005 | 2 | 1 | Decal, Automatic (One Lower, One Top Warmer) |
| | 22295.0006 | 2 | 1 | Decal, Automatic (Three Lower Warmers) |
| | 22295.0007 | - | 1 | Decal, Automatic (One Top, Three Lower Warmers) |
| | 22295.0010 | 2 | 1 | Decal, Automatic (One Lower, Two Top Warmers) |
| | 22295.0011 | 2 | 1 | Decal, Automatic (No Warmers) APS, TC, TS |
| | 22295.0012 | - | 1 | Decal, Pour In (One Lower, Two Top Warmers) |
| | 28010.0000 | - | 1 | Decal, Automatic (One Lower Warmer) (CE Only) |
| | 28010.0001 | - | 1 | Decal, Automatic (One Lower, One Top Warmer) (CE Only) |
| | 28010.0002 | - | 1 | Decal, Automatic (Three Lower Warmers) (CE Only) |
| | 28010.0003 | - | 1 | Decal, Automatic (One Lower, Two Top Warmers) (CE Only) |
| | 28010.0004 | - | 1 | Decal, Automatic (No Warmers) APS, TC (CE Only) |
| 28010.0005 | - | 1 | Decal, Pour In (No Warmers) (CE Only) | |
| 20603.0001 | - | 1 | Decal, Switches 1 Gal. - ½ Batch (Single CW Only) | |

* Indicates the part number listed is for reference only.

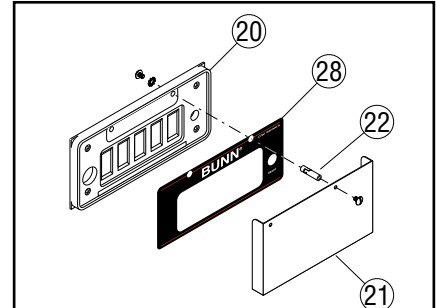
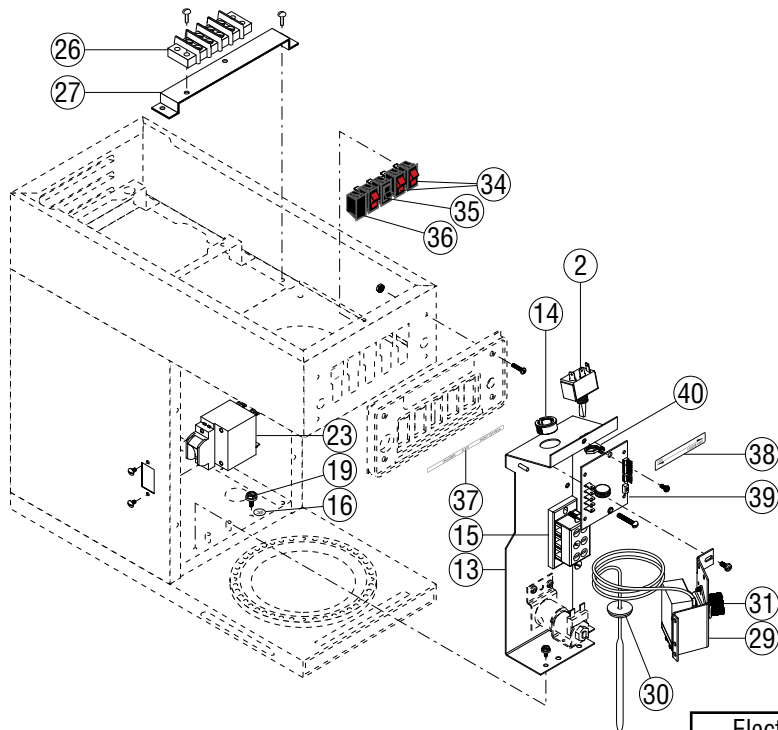
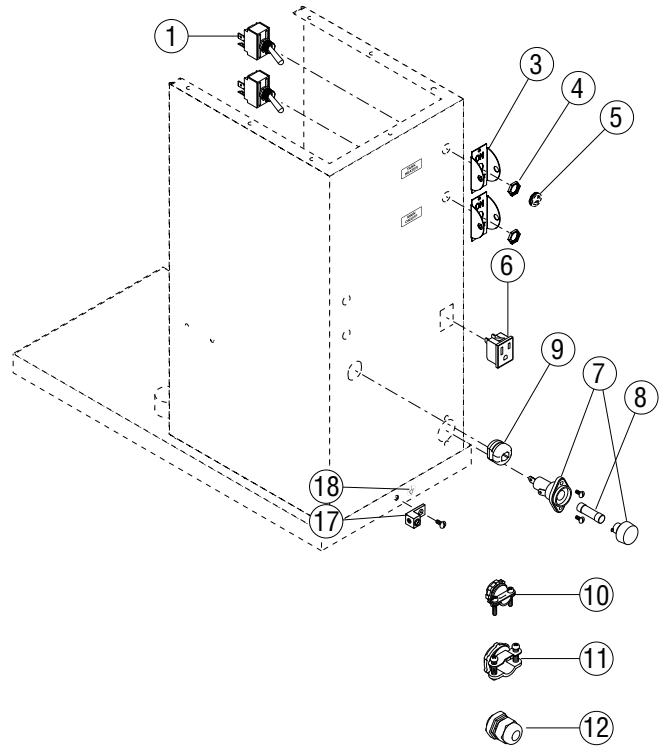
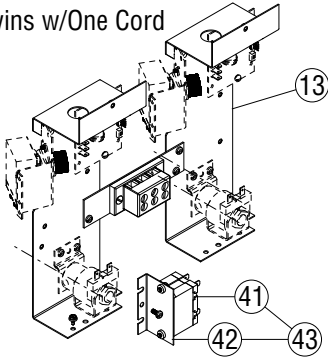


Later Twins
w/Two Cords

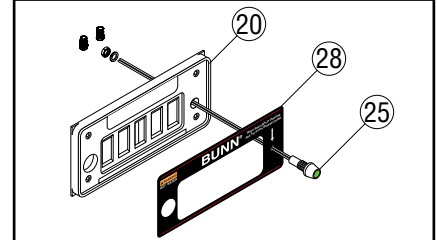


Later Twins
w/One Cord

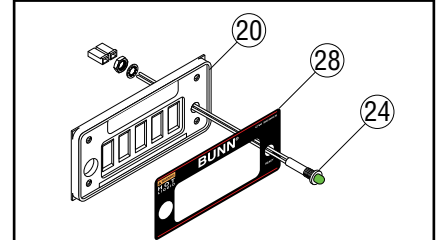
Early Twins w/One Cord



Brewers w/Switch Cover

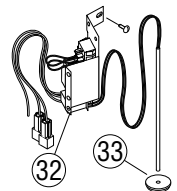


Brewers w/Fresh Timer



Brewers w/Ready Light

Electronic
Thermostat



ELECTRICAL AND OPERATING CONTROLS

| ITEM | PART NO. | QTY. | | DESCRIPTION |
|------|------------|------|--------|--|
| | | TWIN | SINGLE | |
| 38 | 34056.0000 | - | 1 | Decal, Dual Volt |
| 39 | 32400.0000 | 2 | 1 | Digital Timer Kit, 120V |
| | 32400.0001 | 2 | 1 | Digital Timer Kit, 240V |
| | 01320.0000 | 2 | 1 | Screw, Round Head #8-32 x 1.0" (Late Models) |
| 40 | 32530.0001 | 2 | 1 | Spacer |
| 41 | 37711.0000 | 2 | 1 | Relay, 120V |
| | 37711.0001 | 2 | 1 | Relay, 240V |
| | 02308.0000 | 4 | 2 | Screw, Pan Head #8-32 x .375" |
| 42 | 36256.0000 | 2 | 1 | Bracket |
| | 02308.0000 | 2 | 1 | Screw, Pan Head #8-32 x .375" |
| 43 | 38326.0000 | 2 | 1 | Kit, Recovery Booster Relay w/Hardware 120V |
| | 38326.0001 | 2 | 1 | Kit, Recovery Booster Relay w/Hardware 240V |

The Following Items Are Not Illustrated

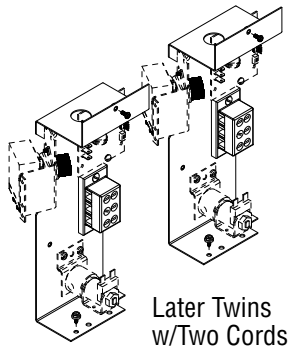
| | | | | |
|----|------------|---|---|---|
| 44 | 01719.1000 | - | 1 | Power Cord, 120V 15A (Model 15 Only) |
| | 23799.0001 | - | 1 | Power Cord, 120V 20A (Model 20 Only) |
| | 28111.0007 | - | 1 | Power Cord, 230V 13A Plug (UK) CWA-APS |
| | 27728.0011 | - | 1 | Power Cord, 230V 16A (CE Only) CWTF35A No Plug |
| | 32832.0000 | 1 | - | Power Cord, 230V (CE Only) CWTF A Twin-APS No Plug |
| | 33529.0002 | - | 1 | Power Cord, 230V 10A Euro Plug (CE Only) CWA/CWTF A-APS |

Models without Master ON/OFF Switch

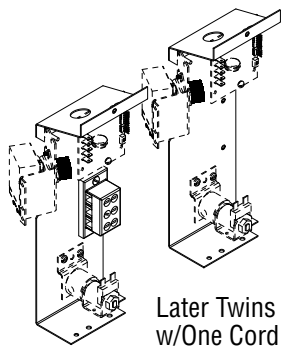
| | | | | |
|----|------------|---|---|--|
| 45 | 12985.0000 | 2 | 1 | Wiring Harness, Thermostat to Ready Light (CWTF & Single CW) |
| | 12985.0003 | 2 | 1 | Wiring Harness, Thermostat to Ready Light (A Models) |
| 46 | 25347.0000 | 2 | 1 | Wiring Harness, Thermostat to Tank |
| 47 | 29445.1000 | 2 | 1 | Wiring Harness, Digital Timer Adaptor (Early Models) |
| 48 | 27018.0000 | 2 | 1 | Wiring Harness, Thermostat to Relay |
| | 25907.0000 | 2 | 1 | Lead Assembly, Black (Relay to Solenoid) |
| | 25907.0001 | 2 | 1 | Lead Assembly, White (Relay to Solenoid) |
| 49 | 21002.1120 | - | 1 | Lead Assembly, Blue (T. Stat. to Upper Term. Block) MV Models |
| 50 | 28175.0000 | - | 1 | Wiring Harness, (T. Stat. to Upper Term. Block) MV Models |
| 51 | 24204.0000 | 1 | - | Wiring Harness, Left Side Wrmr to 3 Pin Connector (Early 0/6 Twin) 120V |
| | 24204.0001 | 1 | - | Wiring Harness, Right Side Wrmr to 3 Pin Connector (Early 0/6 Twin) 240V |
| | 23268.0000 | 1 | - | Wiring Harness, Center Wrmrs to 3 Pin Connector (Early 0/6 Twin) 120V |
| | 23268.0001 | 1 | - | Wiring Harness, Center Wrmrs to 3 Pin Connector (Early 0/6 Twin) 240V |
| 52 | 25326.0000 | - | 1 | Wiring Harness, One Top Wrmr (Switches to 3 Pin Connector) 120V |
| | 25326.0001 | - | 1 | Wiring Harness, One Top Wrmr (Switches to 3 Pin Connector) 240V |
| 53 | 23331.0002 | - | 1 | Wiring Harness, Main APS/TC/TSR 240V & CE |
| 54 | 23953.0000 | 1 | - | Wiring Harness, Main 0/6 Twin 120/240V |
| 55 | 23989.0000 | 1 | - | Wiring Harness, Main 4/2, 2/2, 0/2 Twin-APS 120/240V |
| | 23989.0001 | 1 | - | Wiring Harness, Main 4/2 - 2/2 Twin 200V |
| 56 | 23990.0000 | 1 | - | Wiring Harness, Main 4/2, 2/2, Twin 230V (3 Phase) |
| | 23990.0001 | 1 | - | Wiring Harness, Main 2/2 Twin 240V & CE |
| 57 | 25328.0001 | - | 1 | Wiring Harness, Main (3 Warmers) 240V |

Continued on next page

* Indicates the part number listed is for reference only.

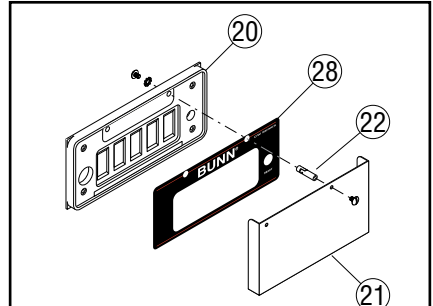
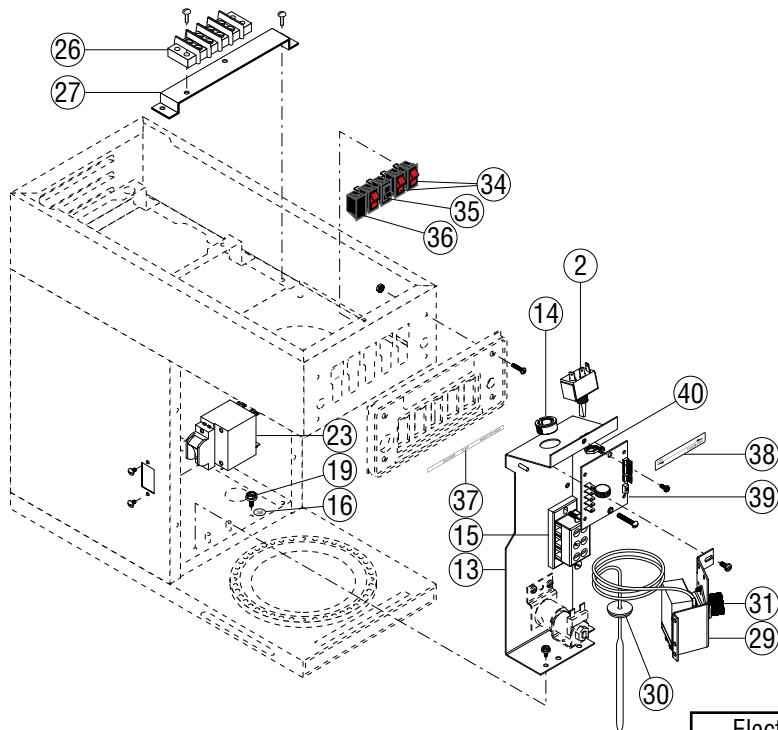
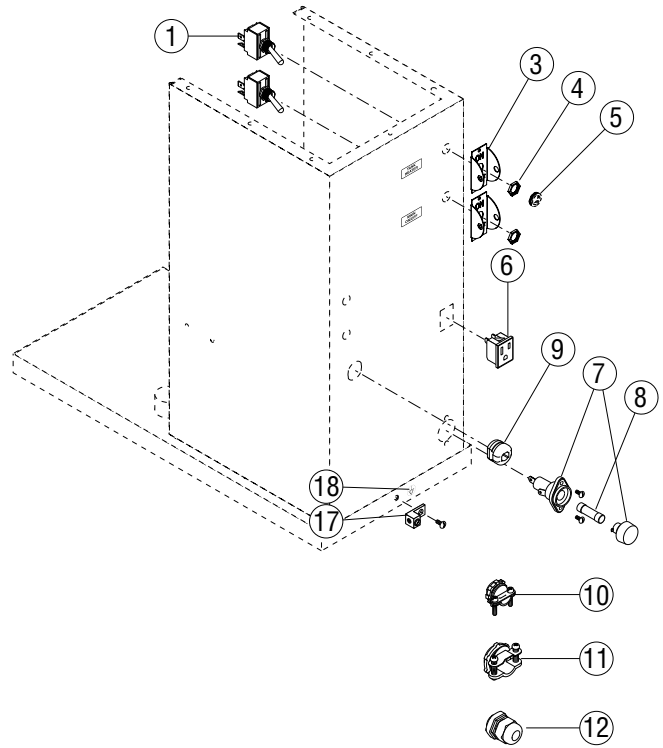
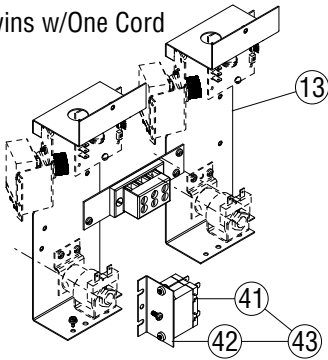


Later Twins
w/Two Cords

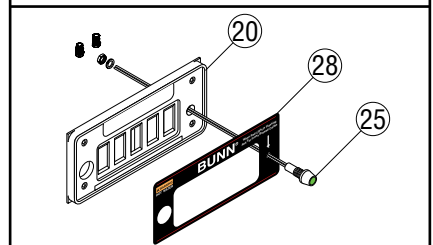


Later Twins
w/One Cord

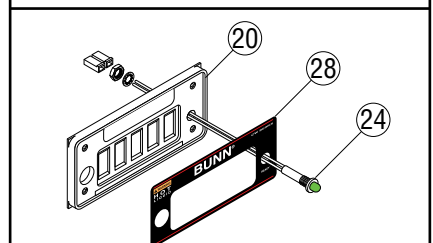
Early Twins w/One Cord



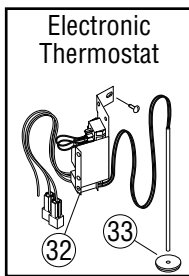
Brewers w/Switch Cover



Brewers w/Fresh Timer



Brewers w/Ready Light



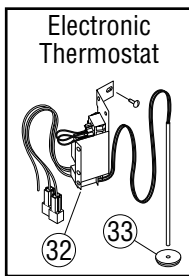
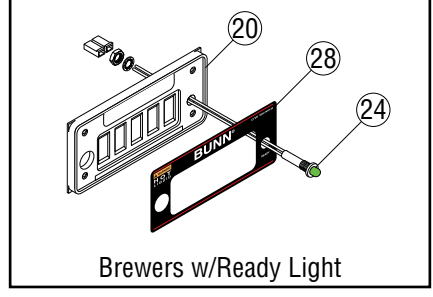
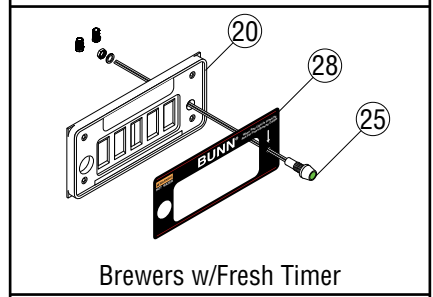
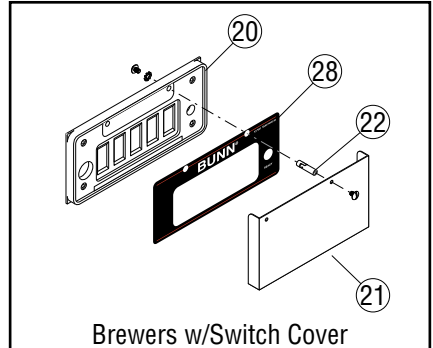
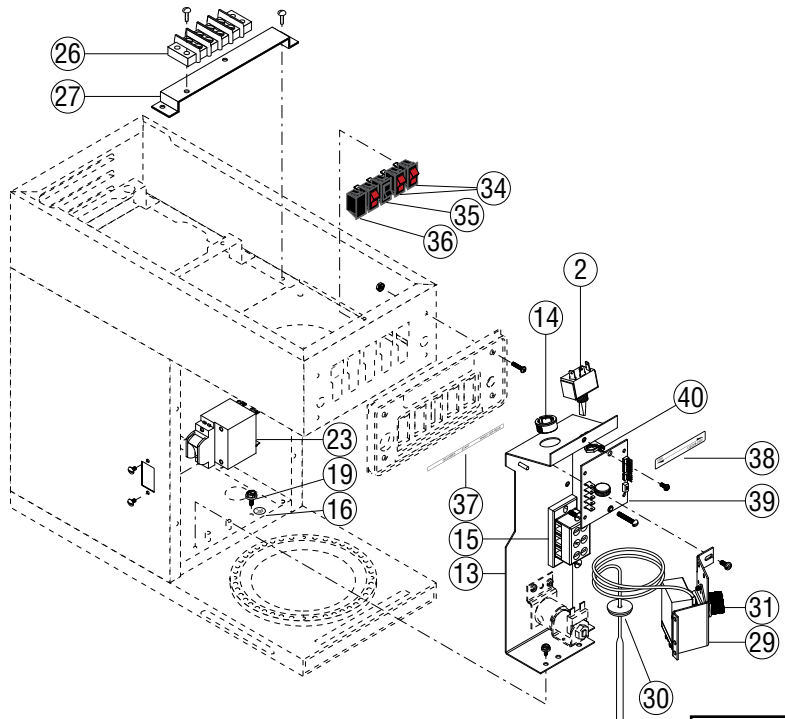
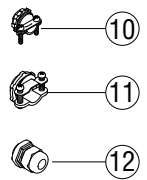
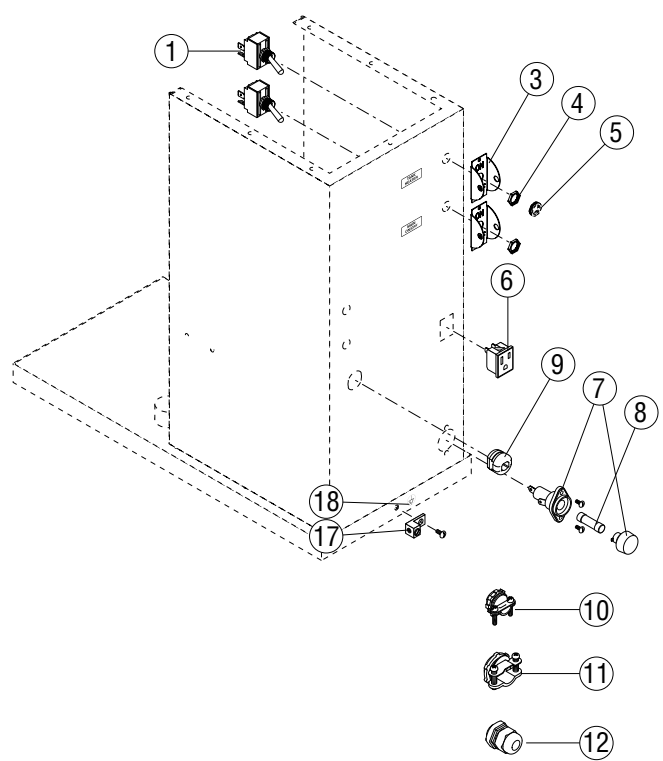
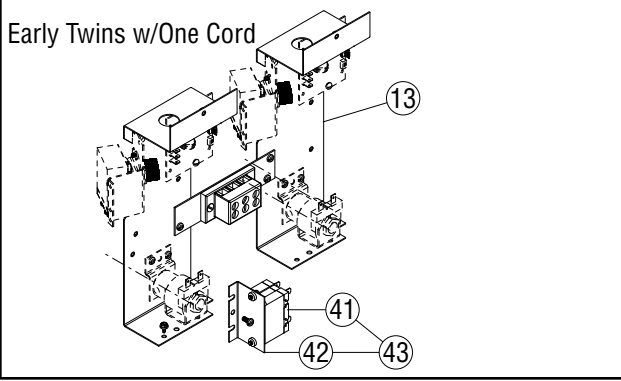
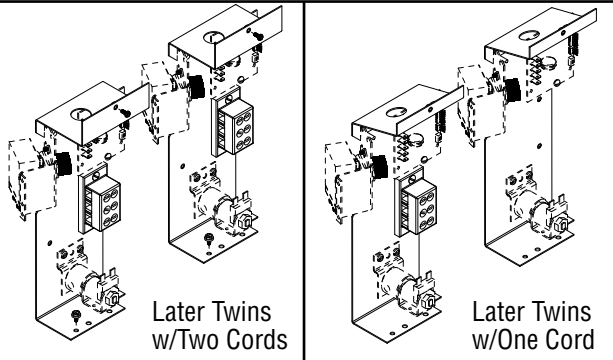
Electronic
Thermostat

ELECTRICAL AND OPERATING CONTROLS

| ITEM | PART NO. | QTY. | | DESCRIPTION |
|---|------------|------|--------|---|
| | | TWIN | SINGLE | |
| 58 | 25329.0000 | - | 1 | Wiring Harness, Main (3L/NoUp) & (1L/2Up) 120/240V |
| | 25329.0001 | - | 1 | Wiring Harness, Main (1L/2Up) No Heater Switch 120/240V |
| | 25329.0002 | - | 1 | Wiring Harness, Main APS/TC 120/240V |
| 59 | 27946.0000 | - | 1 | Wiring Harness, Main (2 Warmers) 240V |
| 60 | 28051.0000 | - | 1 | Wiring Harness, Main APS/TC 240V & CE |
| 61 | 33985.0000 | - | 1 | Wiring Harness, Main (3 Warmers) 120V & Single CW-15 |
| 62 | 34005.0000 | - | 1 | Wiring Harness, Main APS/TC (Pour In Only) 120V |
| 63 | 34023.0000 | - | 1 | Wiring Harness, Main (Single CW-15) 120/240V |
| | 34023.0002 | - | 1 | Wiring Harness, Main (4 Warmers) 120/240V |
| 64 | 34023.0008 | 1 | - | Wiring Harness, Main Twin-APS (CE) 230V |
| 65 | 34026.0002 | - | 1 | Wiring Harness, Main APS-DV |
| | 34026.0003 | - | 1 | Wiring Harness, Main APS 120/240V |
| 66 | 34111.0000 | - | 1 | Wiring Harness, Main (MV Models) |
| 67 | 34981.0001 | - | 1 | Wiring Harness, Main APS/TC 120V |
| 68 | 34602.0000 | - | 1 | Wiring Harness, Selector Switch (Single CW Only) |
| Models with ON/OFF Rocker Switch | | | | |
| 69 | 23331.0009 | - | 1 | Wiring Harness, Main APS/TS 120V |
| 70 | 23953.0003 | 1 | - | Wiring Harness, Main 0/6 Twin 120/240V |
| 71 | 23989.0004 | 1 | - | Wiring Harness, Main Twin-APS 120/240V |
| | 23989.0005 | 1 | - | Wiring Harness, Main 2/2 Twin 120/240V |
| | 23989.0006 | 1 | - | Wiring Harness, Main 4/2 Twin 120/240V |
| 72 | 28051.0001 | - | 1 | Wiring Harness, Main APS/TC 240V |
| 73 | 38920.0000 | - | 1 | Wiring Harness, Switch to Terminal Block 240V |
| | 38920.0002 | (1) | - | Wiring Harness, Switch to Terminal Block 240V (1 Per Power Cord) |
| | 38920.0004 | - | 1 | Wiring Harness, Switch to Terminal Block 120V |
| 74 | 34023.0004 | 2 | - | Wiring Harness, Main 0/6 Twin (2 Power Cords) |
| 75 | 34023.0005 | - | 1 | Wiring Harness, Main (3 Lower Warmers) 120/240V |
| 76 | 34023.0006 | - | 1 | Wiring Harness, Main (1 Lower, 2 Top Warmers) 120/240V & Sngl CW-35 |
| 77 | 34023.0007 | - | 1 | Wiring Harness, Main (1 Top, 3 Lower Warmers) 120/240V |
| Models with ON/OFF Toggle Switch | | | | |
| 78 | 41390.0009 | - | 1 | WIRING HARN, Main CWTF -35 3 lwr |
| 79 | 41390.0010 | - | 1 | WIRING HARN, Main CWTF -20 3 lwr |
| 80 | 41390.0011 | - | 1 | WIRING HARN, Main CWTF -35 1 lwr/2 upr & SINGLE CWTF35 1 lwr |
| 81 | 41390.0012 | - | 1 | WIRING HARN, Main CWTF -35 3 lwr left |
| 82 | 41390.0014 | - | 1 | WIRING HARN, Main CWTF-20 1 lwr/2 upr |
| 83 | 41390.0015 | - | 1 | WIRING HARN, Main CWTF-35 TC |
| 84 | 41390.0016 | - | 1 | WIRING HARN, Main CWTF-20 TC/APS |

Continued on next page

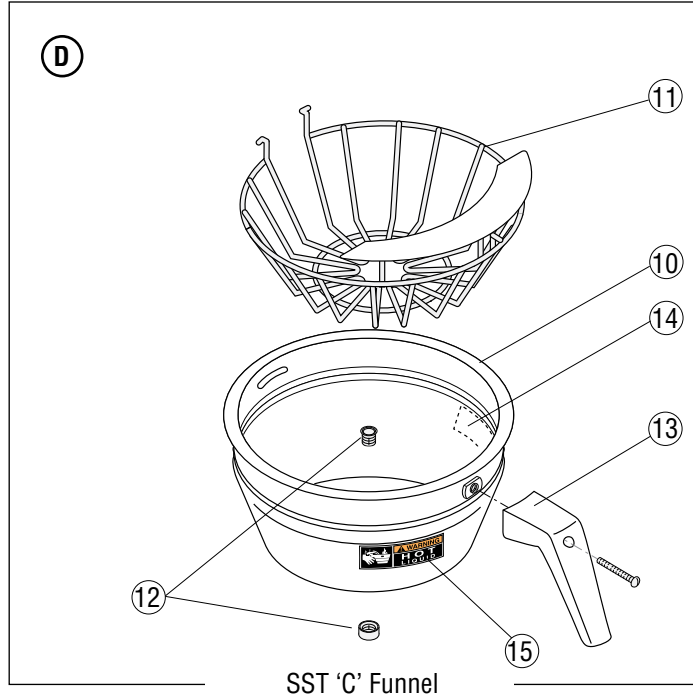
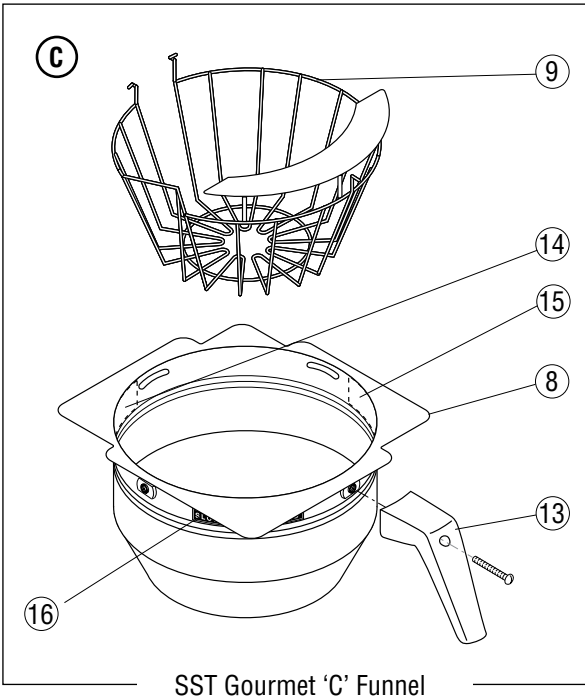
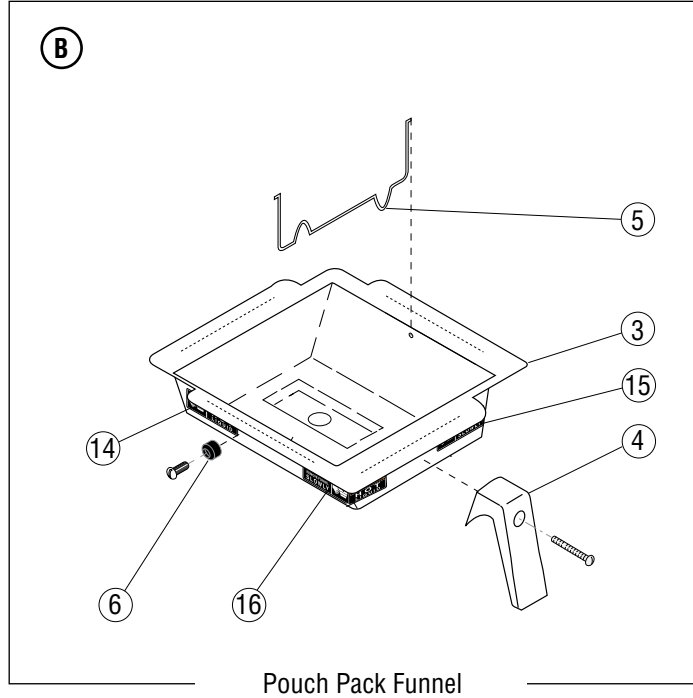
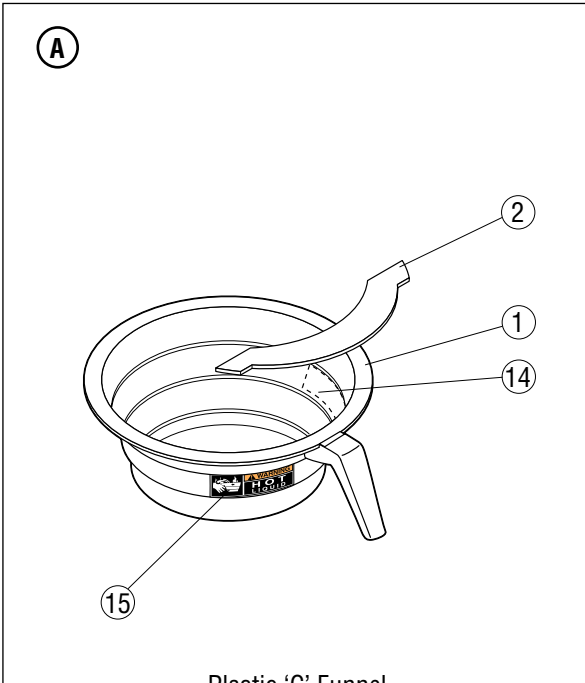
* Indicates the part number listed is for reference only.



| ITEM | PART NO. | QTY. TWIN | QTY. SINGLE | DESCRIPTION |
|------|------------|--------------|----------------|---|
| 85 | 41390.0017 | - | 1 | WIRING HARN, Main CWTF-DV 1 lwr/2 upr |
| 86 | 41390.0018 | - | 1 | WIRING HARN, Main CWTF-DV 3 lwr |
| 87 | 41390.0019 | - | 1 | WIRING HARN, Main CWTF-DV 1 lwr |
| 88 | 41390.0020 | - | 1 | WIRING HARN, Main CWTF-35 TS/APS |
| 89 | 41390.0021 | - | 1 | WIRING HARN, Main CWTF-20 TS/APS |
| 90 | 41390.0022 | - | 1 | WIRING HARN, Main CWTF – APS 230v CE |
| 91 | 41390.0023 | - | 1 | WIRING HARN, Main CW-20 APS |
| 92 | 41390.0024 | - | 1 | WIRING HARN, Main CWTF -DV TC/APS |
| 93 | 41390.0028 | - | 1 | WIRING HARN, Main CWTF35A 230V 3LOWER/1UPPER |
| 94 | 34023.0009 | 2 | - | Wiring Harness, Main 0/6 Twin (2 Power Cords) |
| 95 | 40081.0003 | 2 | - | Wiring Harness, Switch to Term Block 0/6 Twin (2 Power Cords) |

Harnesses from Upper Warmers to the 3 pin connector

| | | | | |
|----|------------|---|---|---|
| 96 | 02812.0001 | - | 1 | WIRING HARN, Standard 2 Wmr, 2 Switches 120V |
| | 12922.0002 | - | 1 | WIRING HARN, Standard 2 Wmr, 2 Switches 240V |
| | 25348.0003 | - | 1 | WIRING HARN, 2 Wmr, 1 Switch 120V (CK Only) |
| 97 | 25348.0000 | - | 1 | WIRING HARN, 1 Wmr, (Rear) 2 Switches 120V |
| | 25348.0001 | - | 1 | WIRING HARN, 1 Wmr, (Rear) 2 Switches 240V |
| | 25348.0002 | - | 1 | WIRING HARN, 1 Wmr, (Front) 2 Switches 120V |
| 98 | 23950.0000 | 1 | - | WIRING HARN, 2 Wmr, (Rear) 2 Switches 120V (2/2 Twin Only) |
| | 23950.0001 | 1 | - | WIRING HARN, 2 Wmr, (Rear) 2 Switches 240V (2/2 Twin Only) |
| | 23950.0002 | 1 | - | WIRING HARN, 2 Wmr, (Front) 2 Switches 120V (2/2 Twin Only) |
| 99 | 23949.0000 | 1 | - | WIRING HARN, 4 Wmr, 4 Switches 120V (4/2 Twin Only) |
| | 23949.0001 | 1 | - | WIRING HARN, 4 Wmr, 4 Switches 240V (4/2 Twin Only) |



FUNNELS

| ITEM | PART NO. | QTY. TWIN | QTY. SINGLE | DESCRIPTION |
|---------------|---------------|--------------|---|---|
| A | 20583.0002 | - | 1 | Funnel Assy, Smoke Plastic (Includes items 2, 14, & 15) |
| | 20583.0003 | - | 1 | Funnel Assy, Black Plastic (Includes items 2, 14, & 15) |
| | 20583.0006 | - | 1 | Funnel Assy, Orange Plastic (Includes items 2, 14, & 15) |
| | 1 33119.0000* | - | 1 | Funnel Body, Black Plastic (Order item A) |
| | 1 33127.0000* | - | 1 | Funnel Body, Orange Plastic (Order item A) |
| 2 | 32964.0000 | - | 1 | Splashgard, Black Plastic |
| B | 29151.0000 | 2 | 1 | Funnel Assy, Pouch Pack Blk Handle (Includes items 3-6 & 14-16) |
| | 29151.0001 | 2 | 1 | Funnel Assy, Pouch Pack Orn Handle (Includes items 3-6 & 14-16) |
| | 04274.0010 | 2 | 1 | Funnel Assy, Pouch Pack Brown Plastic (Includes item 16) |
| | 04274.0012 | 2 | 1 | Funnel Assy, Pouch Pack Black Plastic (Includes item 16) |
| | 3 29150.0000* | 2 | 1 | Funnel Body, Pouch Pack 'C Series' SST (Order item B) |
| | 4 29152.1000 | 2 | 1 | Handle Kit, Pouch Pack, Black (Includes mounting screw below) |
| | 29152.1001 | 2 | 1 | Handle Kit, Pouch Pack, Orange (Includes mounting screw below) |
| | 01331.0002 | 2 | 1 | Screw, Round Head 10-32 x 1.5" |
| | 5 29845.0000 | 2 | 1 | Insert, Pouch Pack Funnel |
| | 6 35302.0000 | 2 | 1 | Keeper, Insert |
| | 01331.0000 | 2 | 1 | Screw, Round Head 10-32 x .5" |
| | C | 34559.0000 | - | 1 |
| 8 34558.0000* | | 2 | 1 | Funnel Body, Gourmet SST (Order item C) |
| 9 34546.0000 | | 2 | 1 | Filter Basket, Gourmet 'C' |
| D | 20216.0000 | - | 1 | Funnel Assy, 7.12" SST Blk Handle (Includes items 10, 11 & 13-16) |
| | 20216.0001 | - | 1 | Funnel Assy, 7.12" SST Orn Handle (Includes items 10, 11 & 13-16) |
| | 20217.0000 | 2 | - | Funnel Assy, 7.62" SST Blk Handle (Includes items 10, 11 & 13-16) |
| | 20217.0001 | 2 | - | Funnel Assy, 7.62" SST Orn Handle (Includes items 10, 11 & 13-16) |
| | 10 28553.0000 | - | 1 | Funnel Body, W/Decals, 7.12" SST (Includes items 14 & 15) |
| | 28554.0000 | 2 | 1 | Funnel Body, W/Decals, 7.62" SST (Includes items 14 & 15) |
| | 11 33088.0000 | - | 1 | Filter Basket, 7.12" SST |
| | 33090.0000 | 2 | 1 | Filter Basket, 7.62" SST |
| | 12 01031.0000 | 2 | 1 | Funnel Tip Kit |
| | 13 20244.1000 | 2 | 1 | Handle Kit, Black (Includes mounting screw below) |
| | 20244.1001 | 2 | 1 | Handle Kit, Orange (Includes mounting screw below) |
| | 01331.0002 | 2 | 1 | Screw, Round Head 10-32 x 1.5" |
| | 14 03408.0002 | 2 | 1 | Decal, Warning - Remove Funnel |
| 15 03409.0002 | 2 | 1 | Decal, Warning - Hot Liquid | |
| 16 28694.0000 | 2 | 1 | Decal, Warning - Hot Liquid/Remove Funnel | |

D does not include tip kit



* Indicates the part number listed is for reference only.

NUMERICAL INDEX

| PART NO. | PAGE NO. | PART NO. | PAGE NO. | PART NO. | PAGE NO. | PART NO. | PAGE NO. |
|------------|----------|------------|----------|------------|----------|------------|----------|
| 00310.0000 | 33,35 | 01148.0000 | 35 | 02337.0001 | 43 | 10836.0005 | 13 |
| 00310.0002 | 35 | 01148.0001 | 35 | 02371.0000 | 9 | 10836.0009 | 13 |
| 00400.0001 | 21 | 01154.0000 | 29,33,35 | 02722.0000 | 5 | 10836.0010 | 13 |
| 00402.0001 | 25,37 | 01155.0000 | 29,33,35 | 02722.0001 | 5 | 10836.0011 | 13 |
| 00419.0000 | 25 | 01200.0000 | 25 | 02732.0000 | 5 | 10847.0000 | 13 |
| 00425.1000 | 25 | 01201.0000 | 25 | 02763.0000 | 5 | 10867.0000 | 13 |
| 00436.0001 | 27 | 01212.0000 | 25 | 02765.0000 | 5 | 11408.1002 | 13 |
| 00445.0001 | 35 | 01212.0001 | 25 | 02812.0001 | 51 | 11408.1005 | 13 |
| 00459.0000 | 27,29,33 | 01227.0000 | 41 | 02822.0000 | 13 | 11408.1006 | 13 |
| 00459.0001 | 31 | 01303.0000 | 5,9,41 | 02858.0000 | 39 | 11424.0000 | 25 |
| 00462.0001 | 9 | 01303.0002 | 5 | 02999.0000 | 5 | 11431.0002 | 21 |
| 00463.0000 | 27,29,39 | 01308.0000 | 43 | 03070.1001 | 21 | 11438.0000 | 41 |
| 00463.0000 | 31,33 | 01308.0002 | 15,43 | 03263.0002 | 9 | 11438.0001 | 41 |
| 00484.0001 | 35 | 01308.0003 | 15 | 03408.0002 | 53 | 11440.0005 | 41 |
| 00511.1000 | 19 | 01309.0000 | 43 | 03409.0002 | 53 | 11440.0008 | 41 |
| 00606.0000 | 43 | 01315.0000 | 5,9 | 03628.0000 | 43 | 11440.0009 | 41 |
| 00656.0001 | 13 | 01315.0000 | 13,21 | 03652.0000 | 41 | 11440.0010 | 41 |
| 00658.0000 | 13 | 01315.0005 | 13 | 03656.0000 | 41 | 11440.0011 | 41 |
| 00669.0003 | 9,13,31 | 01317.0000 | 43 | 03851.0000 | 45 | 11442.0000 | 41 |
| 00720.0000 | 45 | 01317.0004 | 45 | 03993.0000 | 19 | 11707.0003 | 25 |
| 00754.0001 | 17 | 01319.0000 | 5 | 03996.0000 | 19 | 11707.1000 | 25 |
| 00824.0001 | 43 | 01320.0000 | 47 | 04118.0000 | 21 | 11707.1001 | 25 |
| 00824.0002 | 43 | 01326.0007 | 5,7 | 04119.0000 | 23 | 11707.1002 | 25 |
| 00831.0000 | 13 | 01327.0000 | 37 | 04133.0000 | 23 | 12104.0000 | 15 |
| 00833.0000 | 5 | 01327.0000 | 43 | 04221.0000 | 21 | 12148.0000 | 43 |
| 00908.0000 | 5,21 | 01331.0000 | 53 | 04236.1000 | 21 | 12183.0002 | 13 |
| 00912.0000 | 5,9,21 | 01331.0002 | 53 | 04243.0000 | 45 | 12364.0000 | 17 |
| 00916.0000 | 5,9,41 | 01347.0000 | 7,19 | 04260.0000 | 21 | 12364.0000 | 7 |
| 00942.0000 | 21 | 01382.0000 | 13 | 04270.0000 | 25 | 12422.0000 | 25 |
| 00943.0000 | 21 | 01382.0002 | 13 | 04270.0002 | 25 | 12422.0001 | 37 |
| 00970.0000 | 11,41 | 01426.0000 | 25 | 04274.0010 | 53 | 12517.0003 | 45 |
| 00971.0000 | 5,7 | 01502.0000 | 37 | 04274.0012 | 53 | 12570.0000 | 45 |
| 00973.0000 | 43 | 01510.0000 | 43 | 04314.0001 | 45 | 12667.0001 | 17 |
| 00973.0000 | 9 | 01532.0000 | 27,29,31 | 04572.0000 | 35 | 12683.0000 | 9 |
| 00988.0000 | 11 | 01532.0000 | 33,39 | 04636.1000 | 21 | 12683.0002 | 9 |
| 01031.0000 | 53 | 01590.0000 | 43 | 04637.1000 | 21 | 12687.0000 | 21 |
| 01063.0000 | 45 | 01592.0000 | 5,15,17 | 04776.0000 | 23 | 12688.0000 | 21 |
| 01075.0000 | 21 | 01592.0001 | 5 | 04828.0001 | 41 | 12689.1000 | 21 |
| 01079.0000 | 37 | 01593.0000 | 17 | 04828.1001 | 41 | 12698.0003 | 43 |
| 01082.0000 | 23 | 01685.0000 | 43 | 04831.0000 | 5 | 12698.0004 | 43 |
| 01082.0004 | 23 | 01686.0000 | 43 | 05212.0000 | 41 | 12698.0005 | 43 |
| 01082.0005 | 23 | 01719.1000 | 47 | 05515.0000 | 21 | 12908.0000 | 35 |
| 01082.0007 | 23 | 01925.1000 | 21 | 05518.0000 | 21 | 12909.0000 | 35 |
| 01082.1000 | 23 | 01927.0000 | 21 | 05746.1000 | 43 | 12913.0000 | 25 |
| 01085.0000 | 37 | 01951.0000 | 41 | 07038.0000 | 43 | 12914.0002 | 25 |
| 01085.0002 | 37 | 01951.0001 | 41 | 07073.1000 | 45 | 12915.0000 | 39 |
| 01100.0000 | 37 | 01975.0000 | 37 | 07441.0000 | 37 | 12920.0000 | 45 |
| 01101.0000 | 37 | 02301.0000 | 43 | 10165.0000 | 15 | 12920.0002 | 45 |
| 01106.0000 | 43 | 02308.0000 | 9,11,13 | 10447.0000 | 15 | 12921.0000 | 17,45 |
| 01106.0001 | 43 | 02308.0000 | 17,19,37 | 10693.0000 | 13 | 12922.0002 | 51 |
| 01106.0003 | 43 | 02308.0000 | 43,45,47 | 10693.0001 | 13 | 12928.0000 | 25 |
| 01111.0000 | 37 | 02332.0001 | 43 | 10693.0002 | 13 | 12978.0000 | 5 |
| 01111.0002 | 37 | 02332.0002 | 5,11 | 10736.0000 | 13 | 12981.0001 | 5 |
| 01116.0000 | 37 | 02332.0002 | 17,19 | 10836.0000 | 13 | 12984.0002 | 45 |

NUMERICAL INDEX

| | | | | | | | |
|-----------------|----------|-----------------|----------|-----------------|----------|-----------------|----|
| 12984.0004..... | 45 | 21016.0011..... | 41 | 23267.1001..... | 13 | 24204.0001..... | 47 |
| 12985.0000..... | 47 | 21016.0012..... | 41 | 23268.0000..... | 47 | 24213.0000..... | 15 |
| 12985.0003..... | 47 | 21016.0027..... | 41 | 23268.0001..... | 47 | 24217.1000..... | 21 |
| 13042.0001..... | 41 | 21104.0003..... | 19 | 23270.0000..... | 11 | 24220.0000..... | 29 |
| 13053.0000..... | 39 | 21180.0000..... | 37 | 23294.0000..... | 11 | 24230.0000..... | 19 |
| 13054.0000..... | 39 | 21181.0000..... | 37 | 23294.0001..... | 11 | 24249.0003..... | 13 |
| 13055.0000..... | 39 | 21812.0002..... | 35 | 23294.0002..... | 11 | 24253.0000..... | 19 |
| 13056.0000..... | 39 | 21812.1006..... | 35 | 23294.0008..... | 11 | 24253.0001..... | 19 |
| 13057.0000..... | 39 | 21814.0011..... | 29 | 23294.0011..... | 11 | 24253.0002..... | 19 |
| 13058.1000..... | 39 | 21814.0016..... | 31,33 | 23294.1010..... | 11 | 24253.0003..... | 19 |
| 13060.0000..... | 39 | 22012.0002..... | 43 | 23294.1015..... | 11 | 24254.0000..... | 7 |
| 13061.0000..... | 39 | 22249.0000..... | 29,33,35 | 23320.1004..... | 11 | 24254.0001..... | 7 |
| 13110.0000..... | 5 | 22289.0000..... | 45 | 23320.1012..... | 11 | 24254.0002..... | 7 |
| 13255.0005..... | 19 | 22289.0001..... | 45 | 23321.0000..... | 17 | 24356.0222..... | 33 |
| 13350.0006..... | 9 | 22289.0002..... | 45 | 23321.0001..... | 17 | 24393.0000..... | 35 |
| 13350.0008..... | 9 | 22289.0003..... | 45 | 23321.0002..... | 17 | 24394.0222..... | 33 |
| 13350.0011..... | 9 | 22289.0005..... | 45 | 23321.0003..... | 17 | 24540.0000..... | 15 |
| 13350.0016..... | 9 | 22289.0006..... | 45 | 23321.0004..... | 17 | 24600.0000..... | 17 |
| 13352.0008..... | 43 | 22289.0012..... | 45 | 23329.0000..... | 19 | 24684.0000..... | 29 |
| 13352.0011..... | 43 | 22289.0013..... | 45 | 23331.0002..... | 47 | 24785.0002..... | 41 |
| 20201.0750..... | 21 | 22295.0000..... | 45 | 23331.0009..... | 49 | 24805.0000..... | 17 |
| 20201.3000..... | 21 | 22295.0001..... | 45 | 23413.0000..... | 27,29 | 24805.0002..... | 17 |
| 20211.0100..... | 21,23 | 22295.0002..... | 45 | 23522.1001..... | 43 | 25102.0000..... | 43 |
| 20216.0000..... | 53 | 22295.0003..... | 45 | 23696.0000..... | 43 | 25102.0001..... | 43 |
| 20216.0001..... | 53 | 22295.0004..... | 45 | 23697.0000..... | 43 | 25137.0000..... | 17 |
| 20217.0000..... | 53 | 22295.0005..... | 45 | 23698.1002..... | 17 | 25137.0001..... | 17 |
| 20217.0001..... | 53 | 22295.0006..... | 45 | 23698.1003..... | 17 | 25158.0000..... | 21 |
| 20244.1000..... | 53 | 22295.0007..... | 45 | 23698.1004..... | 17 | 25158.0001..... | 21 |
| 20244.1001..... | 53 | 22295.0010..... | 45 | 23698.1005..... | 17 | 25158.0002..... | 21 |
| 20526.1222..... | 29,33,35 | 22295.0011..... | 45 | 23721.0000..... | 29,33,35 | 25158.0004..... | 21 |
| 20527.0001..... | 35 | 22295.0012..... | 45 | 23768.0000..... | 21 | 25292.0000..... | 45 |
| 20528.1222..... | 35 | 22300.0222..... | 29,33,35 | 23769.0000..... | 21 | 25319.1000..... | 23 |
| 20577.0001..... | 29,31,33 | 22306.0000..... | 17 | 23799.0001..... | 47 | 25319.1001..... | 23 |
| 20583.0002..... | 53 | 22312.0000..... | 29,33,35 | 23819.0000..... | 35 | 25319.1002..... | 23 |
| 20583.0003..... | 53 | 22312.0001..... | 35 | 23820.1000..... | 35 | 25319.1010..... | 23 |
| 20583.0006..... | 53 | 22397.0001..... | 25,37 | 23924.0000..... | 29 | 25320.1000..... | 23 |
| 20603.0001..... | 45 | 22730.1002..... | 13 | 23925.0000..... | 29 | 25320.1001..... | 23 |
| 20637.0000..... | 45 | 22730.1003..... | 13 | 23929.1000..... | 21 | 25320.1002..... | 23 |
| 20690.0000..... | 31,33,35 | 22730.1005..... | 13 | 23930.1000..... | 21 | 25320.1007..... | 23 |
| 20690.0003..... | 31 | 22730.1007..... | 13 | 23949.0000..... | 51 | 25320.1012..... | 23 |
| 20691.0000..... | 39 | 22730.1009..... | 13 | 23949.0001..... | 51 | 25320.1017..... | 23 |
| 20691.0001..... | 39 | 22733.0000..... | 11 | 23950.0000..... | 51 | 25326.0000..... | 47 |
| 20762.0000..... | 45 | 22740.0000..... | 17 | 23950.0001..... | 51 | 25326.0001..... | 47 |
| 20782.1000..... | 35 | 22748.0000..... | 11 | 23950.0002..... | 51 | 25328.0001..... | 47 |
| 20783.0000..... | 35 | 22748.0001..... | 11 | 23953.0000..... | 47 | 25329.0000..... | 49 |
| 20784.0000..... | 35 | 22748.0002..... | 11 | 23953.0003..... | 49 | 25329.0001..... | 49 |
| 20785.0000..... | 35 | 22918.0000..... | 23 | 23989.0000..... | 47 | 25329.0002..... | 49 |
| 20786.1000..... | 35 | 22918.0001..... | 23 | 23989.0001..... | 47 | 25347.0000..... | 47 |
| 20941.1000..... | 21 | 22999.0000..... | 17 | 23989.0004..... | 49 | 25348.0000..... | 51 |
| 20976.0006..... | 37 | 23232.0000..... | 9 | 23989.0005..... | 49 | 25348.0001..... | 51 |
| 20976.1000..... | 37 | 23232.0002..... | 9 | 23989.0006..... | 49 | 25348.0002..... | 51 |
| 20976.1001..... | 37 | 23232.0004..... | 9 | 23990.0000..... | 47 | 25348.0003..... | 51 |
| 20976.1002..... | 37 | 23232.0005..... | 9 | 23990.0001..... | 47 | 25351.0000..... | 17 |
| 21002.1120..... | 47 | 23267.1000..... | 13 | 24204.0000..... | 47 | 25351.0001..... | 17 |

NUMERICAL INDEX

| PART NO. | PAGE NO. | PART NO. | PAGE NO. | PART NO. | PAGE NO. | PART NO. | PAGE NO. |
|------------|----------|------------|----------|------------|----------|------------|----------|
| 25351.0002 | 17 | 28051.0000 | 49 | 34023.0000 | 49 | 38707.1001 | 7 |
| 25352.0007 | 11 | 28051.0001 | 49 | 34023.0002 | 49 | 38707.1002 | 7 |
| 25633.0002 | 5 | 28111.0007 | 47 | 34023.0004 | 49 | 38707.1003 | 7 |
| 25657.0000 | 17 | 28173.0000 | 23 | 34023.0005 | 49 | 38820.0000 | 15 |
| 25657.0001 | 17 | 28174.0000 | 23 | 34023.0006 | 49 | 38894.0001 | 43 |
| 25657.0002 | 17 | 28175.0000 | 47 | 34023.0007 | 49 | 38920.0000 | 49 |
| 25658.0000 | 17 | 28176.0000 | 43 | 34023.0008 | 49 | 38920.0002 | 49 |
| 25658.0002 | 17 | 28177.0000 | 45 | 34023.0009 | 51 | 38920.0004 | 49 |
| 25864.0000 | 7 | 28179.0000 | 45 | 34026.0002 | 49 | 39806.0000 | 15 |
| 25907.0000 | 47 | 28180.0000 | 5 | 34026.0003 | 49 | 40081.0003 | 51 |
| 25907.0001 | 47 | 28181.0000 | 13 | 34056.0000 | 47 | 40085.1000 | 5 |
| 26216.0000 | 33 | 28181.0001 | 13 | 34061.0013 | 11 | 40124.0000 | 15 |
| 26217.0000 | 33 | 28181.0002 | 13 | 34061.0026 | 11 | 40763.0001 | 43 |
| 26225.0000 | 15 | 28233.0000 | 11 | 34061.1000 | 11 | 41252.0000 | 31,33 |
| 26283.1000 | 13 | 28242.0000 | 23 | 34061.1003 | 11 | 41252.0001 | 31 |
| 26283.1001 | 13 | 28319.0000 | 45 | 34061.1004 | 11 | 41254.0000 | 31 |
| 26285.0000 | 11 | 28479.0000 | 37 | 34061.1006 | 11 | 41255.0002 | 37 |
| 26285.0001 | 11 | 28480.0000 | 37 | 34061.1022 | 11 | 41255.0003 | 37 |
| 26285.0002 | 11 | 28481.0000 | 37 | 34061.1023 | 11 | 41256.0000 | 37 |
| 26285.0006 | 11 | 28526.0021 | 25 | 34061.1025 | 11 | 41257.0000 | 31 |
| 26285.0007 | 11 | 28526.1000 | 25 | 34061.1035 | 11 | 41267.0000 | 27 |
| 26285.0008 | 11 | 28526.1001 | 25 | 34065.1001 | 19 | 41268.0000 | 27 |
| 26287.0000 | 11 | 28526.1002 | 25 | 34111.0000 | 49 | 41281.0000 | 27,29 |
| 26301.0000 | 29 | 28526.1003 | 25 | 34130.0000 | 45 | 41390.0009 | 49 |
| 26318.0000 | 29 | 28553.0000 | 53 | 34208.1002 | 11 | 41390.0010 | 49 |
| 26413.0000 | 17 | 28554.0000 | 53 | 34208.1011 | 11 | 41390.0011 | 49 |
| 26413.0001 | 17 | 28694.0000 | 53 | 34546.0000 | 53 | 41390.0012 | 49 |
| 26443.0001 | 37 | 29150.0000 | 53 | 34558.0000 | 53 | 41390.0014 | 49 |
| 26527.1000 | 45 | 29151.0000 | 53 | 34559.0000 | 53 | 41390.0015 | 49 |
| 26528.0001 | 19 | 29151.0001 | 53 | 34559.0001 | 53 | 41390.0016 | 49 |
| 26953.0000 | 17 | 29152.1000 | 53 | 34602.0000 | 49 | 41390.0017 | 51 |
| 27018.0000 | 47 | 29152.1001 | 53 | 34955.0000 | 13 | 41390.0018 | 51 |
| 27429.0000 | 43 | 29329.1000 | 21 | 34955.0001 | 13 | 41390.0019 | 51 |
| 27429.0002 | 43 | 29351.0001 | 53 | 34955.0002 | 13 | 41390.0020 | 51 |
| 27514.0000 | 25 | 29445.1000 | 47 | 34955.0003 | 13 | 41390.0021 | 51 |
| 27623.0000 | 19 | 29845.0000 | 53 | 34981.0001 | 49 | 41390.0022 | 51 |
| 27691.0002 | 45 | 32063.0000 | 25 | 35129.0000 | 39 | 41390.0023 | 51 |
| 27693.0000 | 13 | 32283.0000 | 37 | 35302.0000 | 53 | 41390.0024 | 51 |
| 27705.0000 | 43 | 32400.0000 | 47 | 35712.0000 | 17 | 41390.0028 | 51 |
| 27727.0001 | 45 | 32400.0001 | 47 | 36256.0000 | 47 | 41402.1000 | 11 |
| 27728.0011 | 47 | 32530.0001 | 47 | 37297.1002 | 31 | 41402.1001 | 11 |
| 27904.0001 | 45 | 32540.0000 | 13 | 37297.1005 | 31 | 41402.1003 | 11 |
| 27929.0000 | 13 | 32832.0000 | 47 | 37711.0000 | 47 | 41402.1008 | 11 |
| 27946.0000 | 49 | 32964.0000 | 53 | 37711.0001 | 47 | 41405.0000 | 15 |
| 28004.0000 | 43 | 32966.0000 | 53 | 37881.0000 | 5,7,13 | 41417.1000 | 11 |
| 28005.0000 | 37 | 33088.0000 | 53 | 37881.0002 | 5,7 | 41417.1001 | 11 |
| 28010.0000 | 45 | 33090.0000 | 53 | 38326.0000 | 47 | 41417.1002 | 11 |
| 28010.0001 | 45 | 33119.0000 | 53 | 38326.0001 | 47 | 41426.1000 | 11 |
| 28010.0002 | 45 | 33127.0000 | 53 | 38496.1000 | 5 | 41427.0000 | 15 |
| 28010.0003 | 45 | 33529.0002 | 47 | 38496.1002 | 5 | 41760.0000 | 5,7 |
| 28010.0004 | 45 | 33637.0000 | 29 | 38498.1000 | 5,7 | 41935.0000 | 37 |
| 28010.0005 | 45 | 33643.0000 | 27,29 | 38503.1000 | 5 | 41935.0001 | 37 |
| 28020.0000 | 37 | 33985.0000 | 49 | 38504.1000 | 5 | 42025.0000 | 37 |
| 28021.0000 | 37 | 34005.0000 | 49 | 38707.1000 | 7 | 42025.0001 | 37 |

