



FLAT TOP BOTTLE COOLERS

REFRIGERATION

Features

- Heavy Duty Construction – Stainless steel interior & top
- 2" Foamed-in-place eco-friendly insulation provides energy savings with zero ozone depletion
- Stainless steel interior with choice of stainless steel or black vinyl-coated exterior
- Heavy gauge dent resistant doors with door locks standard
- LED Lights standard, E26 screw in bulb base for easy replacement
- Ultra quiet, high efficiency, refrigeration system
- Plug-in installation, no condensate plumbing required
- Available with optional bottle opener & cap receiver
- 1 Year Parts and Labor Warranty, 5 Year Compressor Warranty

| |
|-----------|
| JOB |
| AREA |
| ITEM NO. |
| MODEL NO. |

| MODELS | | |
|---|---------------------------------------|--|
| Regular Temperature (34°-40°F) | Low Temperature (28°-34°F) | Wine Temperature (45°-60°F) |
| BC24RT | BC24LT | BC24WT |
| BC36RT | BC36LT | BC36WT |
| BC48RT | BC48LT | BC48WT |
| BC60RT | BC60LT | BC60WT |
| BC72RT | BC72LT | BC72WT |
| BC96RT | BC96LT | BC96WT |

eco friendly
R290
Refrigerant



BC24
(shown w/optional opener, receiver and casters)



BC36
(shown w/optional casters)



BC72
(shown w/optional opener, receiver and casters)



FLAT TOP BOTTLE COOLERS
REFRIGERATION

| MODEL NUMBERS | | BC24 | BC36 | BC48 | BC60 | BC72 | BC96 |
|--|---|---|--------------|--------------|--------------|--------------|--------------|
| EXTERIOR CABINET DIMENSIONS | Length - in. (mm) | 24 (610) | 36 (914) | 48 (1219) | 60 (1524) | 72 (1829) | 96 (2436) |
| | Depth - in. (mm) | 24 (610) | 24 (610) | 24 (610) | 24 (610) | 24 (610) | 24 (610) |
| | Height - in. (mm) | 34-1/8 (866) | 34-1/8 (866) | 34-1/8 (866) | 34-1/8 (866) | 34-1/8 (866) | 34-1/8 (866) |
| INTERNAL NET VOLUME - cubic ft. (liters) | | 4.2 (118) | 8.6 (242) | 12.5 (353) | 16.3 (462) | 20.3 (575) | 28.3 (800) |
| CASE CAPACITY (12 bottles) | | 5.5 | 9.8 | 17.2 | 21.0 | 28.3 | 41.0 |
| CASE CAPACITY (12 cans) | | 7 | 16 | 25 | 30 | 36 | 58 |
| SHIPPING WEIGHT Lbs. (kg.) | | 190 (86) | 245 (111) | 300 (136) | 353 (160) | 405 (184) | 515 (235) |
| CABINET CONSTRUCTION (INTERIOR) | | All models have stainless steel walls and floor. | | | | | |
| CABINET CONSTRUCTION (EXTERIOR) | | Choice of black, stainless steel and all stainless. Black Option: Front and ends are black vinyl coated steel, back and bottom are galvanized. Stainless Steel Option: Front and ends are stainless steel, back and bottom are galvanized. All Stainless Option: Front, ends, back and bottom are all stainless steel. | | | | | |
| DOORS AND HARDWARE | | Sliding style open with standard locks. Stainless steel top and bottom pans. Die cast handle | | | | | |
| PLUMBING | | No drain required. Condensate evaporates automatically. | | | | | |
| INSULATION | | 2 inch foamed-in-place, environmentally friendly Ecomate® polyurethane insulation. Blowing agent R-611. | | | | | |
| VENTILATION | | 2' model is front vented, all other models require 2" clearance from wall on either left end or back of cabinet for proper air flow. | | | | | |
| TEMPERATURE SPECIFICATIONS | Default Temperature Setpoint: Standard Temp (RT) Models - °F [°C] | 38 [3.3] | | | | | |
| | Adjustable Setpoint Range: Standard Temp (RT) Models - °F [°C] | 34 - 40 [1.1 - 4.4] | | | | | |
| | Default Temperature Setpoint: Low Temp (LT) Models - °F [°C] | 30 [-1.1] | | | | | |
| | Adjustable Setpoint Range: Low Temp (LT) Models - °F [°C] | 28 - 34 [-2.2 - 1.1] | | | | | |
| | Default Temperature Setpoint: Wine Temp (WT) Models - °F [°C] | 50 [10.0] | | | | | |
| | Adjustable Setpoint Range: Wine Temp (WT) Models - °F [°C] | 45 - 60 [7.2 - 15.6] | | | | | |
| ELECTRICAL SPECIFICATIONS | Supply | 120 VAC/60 Hz/1 Ph | | | | | |
| | Running Load Amps | 1.9 | 1.9 | 3.1 | 4.4 | 4.4 | 4.4 |
| | Power Cord | 6-foot length with NEMA 5-15 plug. | | | | | |
| | Thermostat | NSF Listed electronic control. | | | | | |
| | Defrost Type | Automatic electric defrost (Low Temp models only). | | | | | |
| | Lighting Type | LED (136 Lumens, 5500K) | | | | | |
| REFRIGERATION SPECIFICATIONS | Condensing Unit | Hermetic condensing unit pulls out for service and cleaning. | | | | | |
| | Expansion Device | Capillary Tube | | | | | |
| | Refrigerant | R290 | | | | | |
| | Refrigerant Charge (g) | 90 | 110 | 120 | 120 | 120 | 120 |
| | Compressor H.P. | 1/6 | 1/6 | 1/5 | 1/4 | 1/4 | 1/4 |
| | Total Heat of Rejection At 75°F ambient (BTU/h) | 1420 | 1420 | 1920 | 2980 | 2980 | 2980 |
| OPTIONAL ACCESSORIES | | Floor racks • Casters • Bottle opener and receiver • Bin dividers Speed rails • Adjustable legs • Roller basket shelving | | | | | |

*NOTE: This equipment is intended for the storage and display of non-potentially hazardous bottled or canned products only!

California Prop 65 Notice:



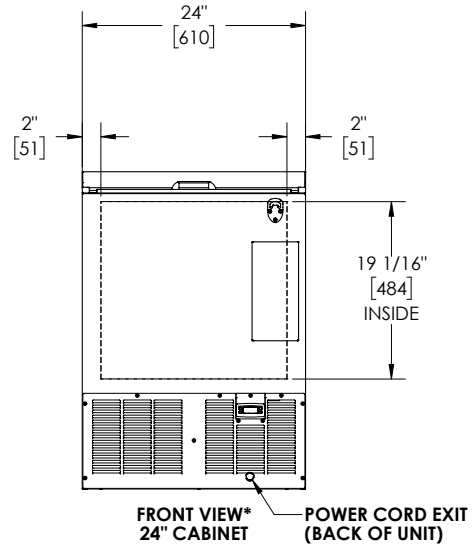
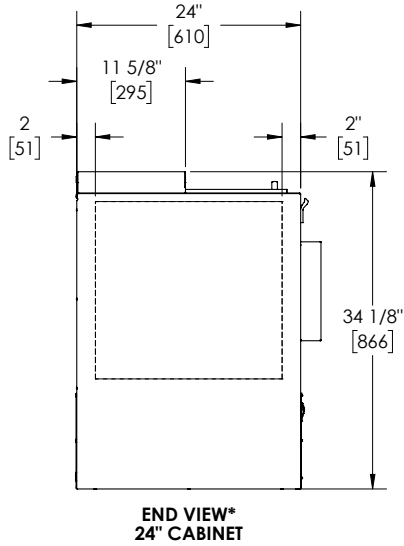
WARNING: The materials used in this product may contain chemicals known to the State of California to cause cancer and birth defects or other reproductive harm, For more information go to www.P65Warnings.ca.gov.

Form No. BC01
Rev. 07.13.2020

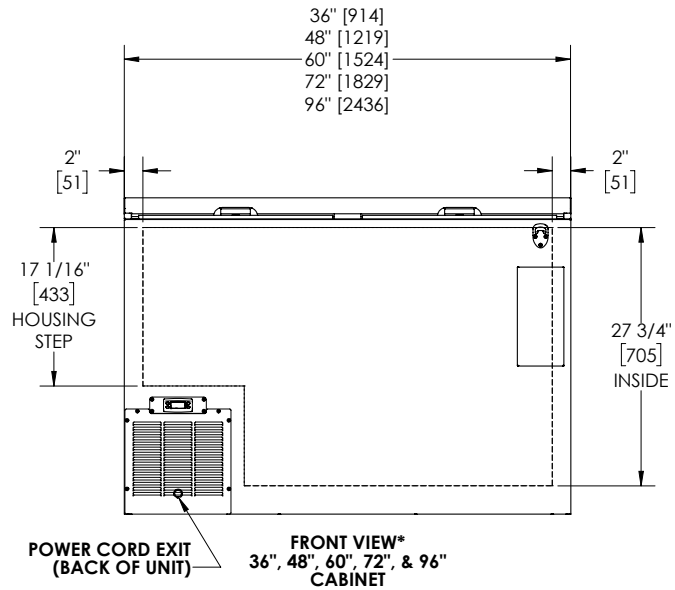
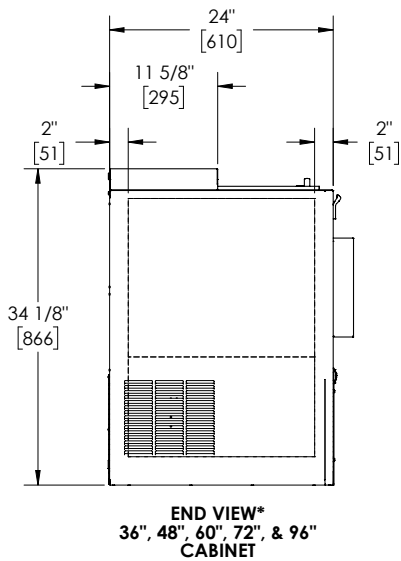


FLAT TOP BOTTLE COOLERS
REFRIGERATION

24" CABINET



36", 48", 60", 72", & 96" CABINET



California Prop 65 Notice:

! **WARNING:** The materials used in this product may contain chemicals known to the State of California to cause cancer and birth defects or other reproductive harm, For more information go to www.P65Warnings.ca.gov.

Form No. BC01
Rev. 07.13.2020