

Item #	Part #	Quantity	Description
17	W0604076	1	Mid - Bottom Hinge
16	85040203	1	Middle Door
15	W0604024	1	Right - Bottom Hinge
14	B0599270	3	SS Screw M6x8
13	W0604038	3	Door Stopper - Bottom
12	W0604025	1	Left - Bottom Hinge
11	W0604022	2	Right - Top Hinge
10	W0404601	3	Door Gasket
9	W0604401	3	Door Spring Bar
8	W0604030	1	Door Brake - Right
7	85040201	1	Right Door
6	W0409843	3	Door Shaft Sleeve - Bottom
5	W0604031	1	Door Brake - Left
4	85040202	1	Left Door
3	W0409842	3	Door Shaft Sleeve - Top
2	B0506044	21	Screw M6x16
1	W0604023	1	Left - Top Hinge

85080450

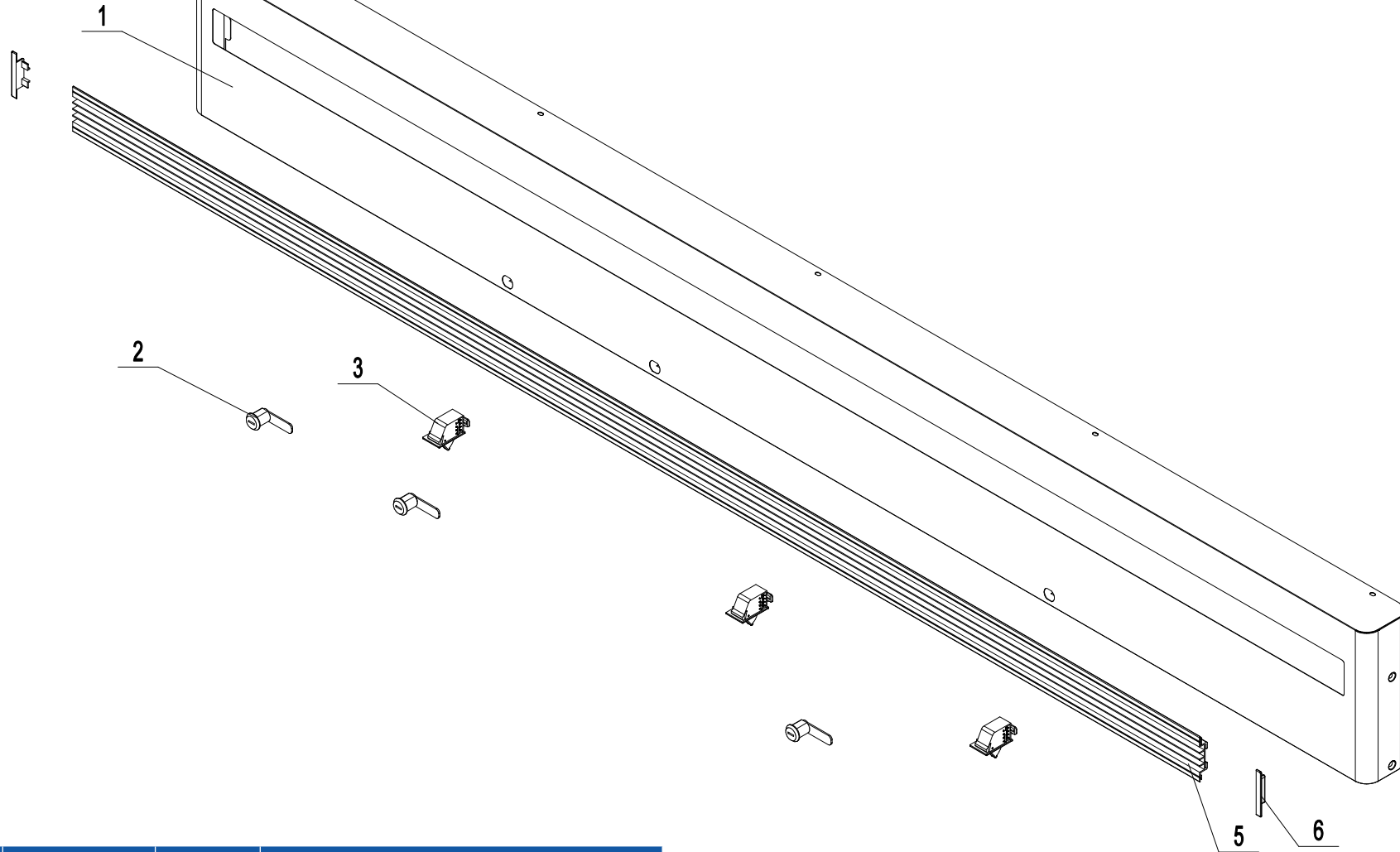
A

B

C

D

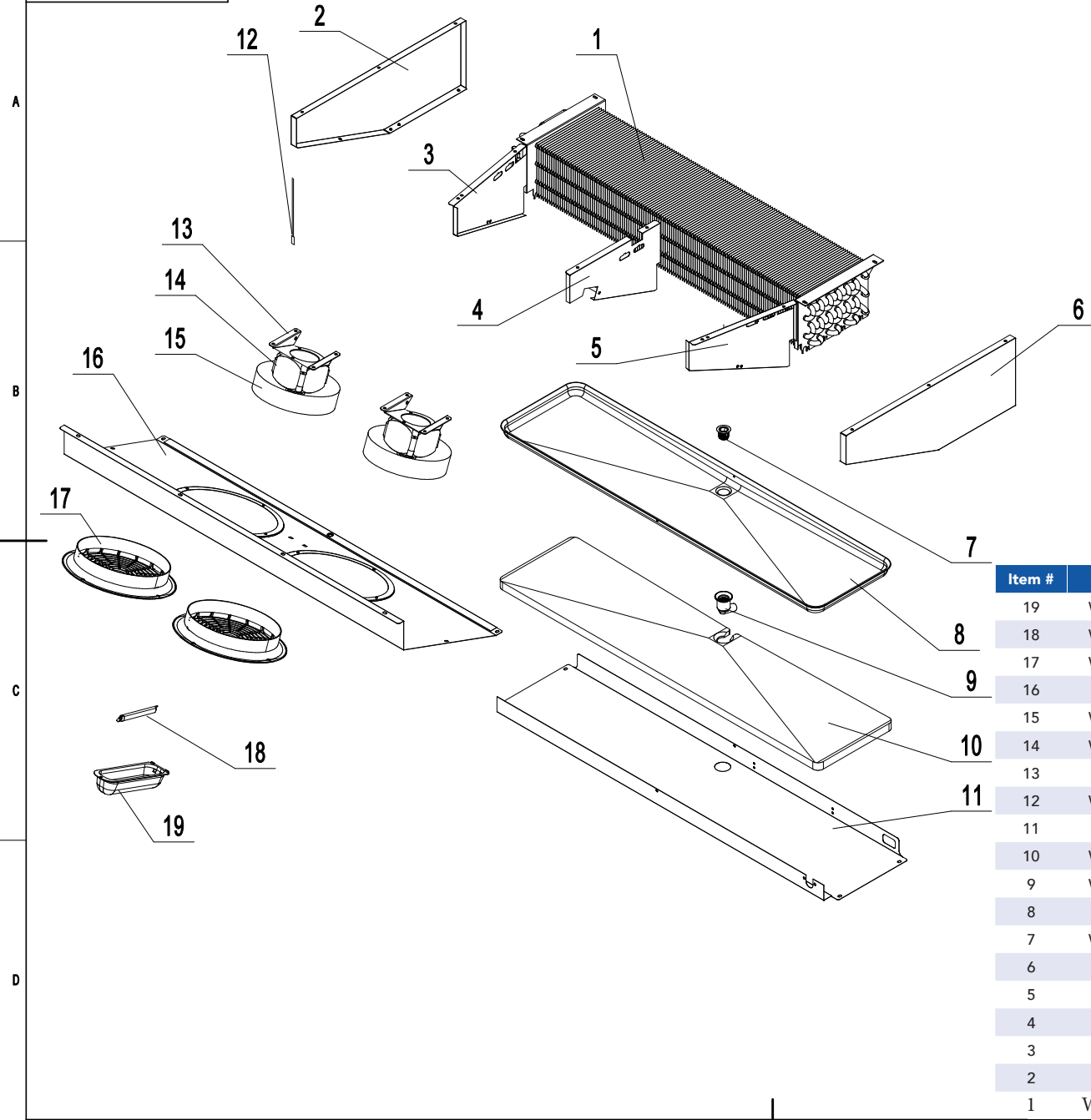
1 2 3 4 5 6



Item #	Part #	Quantity	Description
6	W0409272	2	Black Grille Clip
5	W0410356	1	Black Grille
3	W0308012	3	Door Switch
2	W0604007	3	Lock
1	85031422	1	Top Panel

1 2 3 4 5 6

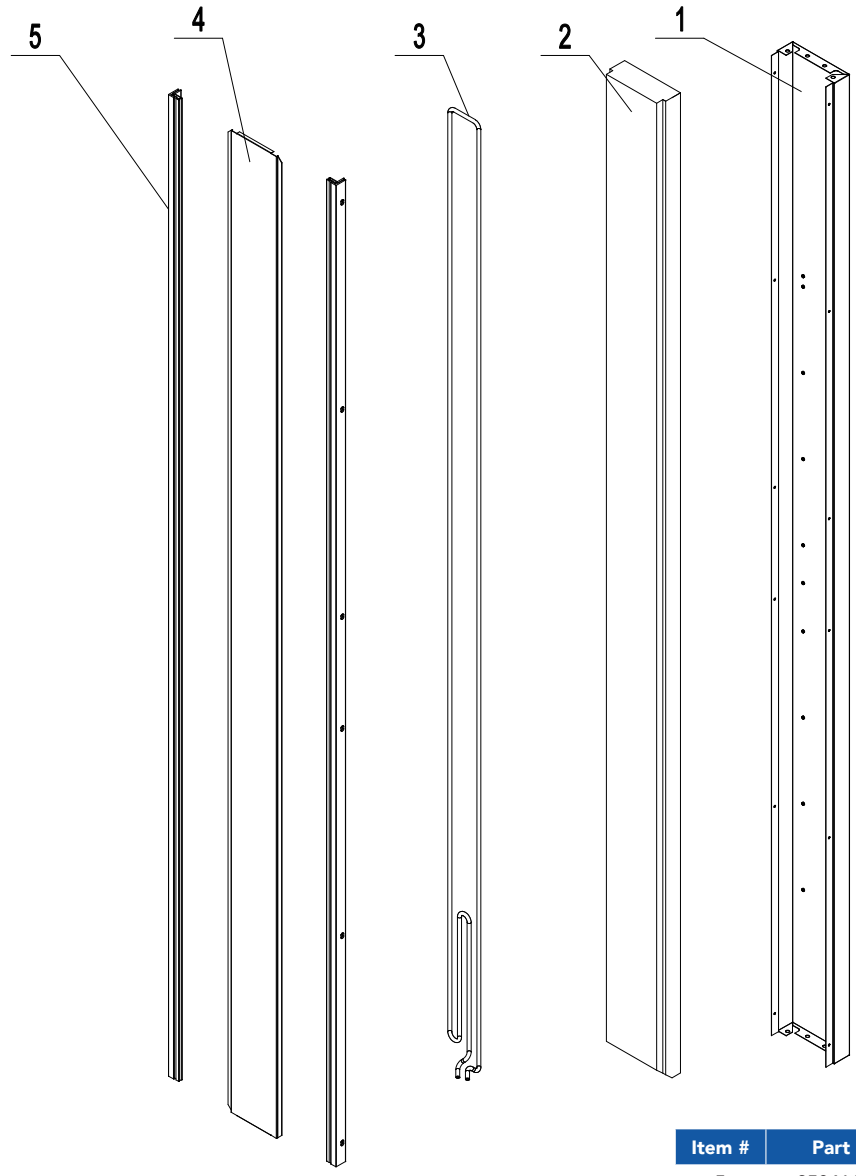
85080451



Item #	Part #	Quantity	Description
19	W0409863	1	Lamp Cover
18	W0304086	1	Lamp
17	W0409080	2	Evap Fan Motor Cover
16	80031203	1	Evap Front Cover
15	W0301059	2	Evap Fan Blade
14	W0301904	2	Evap Fan Motor
13	80021501	2	Evap Fan Bracket
12	W0302304	1	Room Temp Probe
11	80031204	1	Drain Pan Cover
10	W0803013	1	Drain Pan Foam
9	W0409858	1	Drain Hose Connector A
8	80032001	1	Drain Pan
7	W0409859	1	Drain Hose Connector B
6	80021207	1	Evap Right Cover
5	80021204	1	Right Air Lane Cover
4	80021205	1	Middle Air Lane Cover
3	80021203	1	Left Air Lane Cover
2	80021206	1	Evap Left Cover
1	W0202119	1	Evaporator

85070405

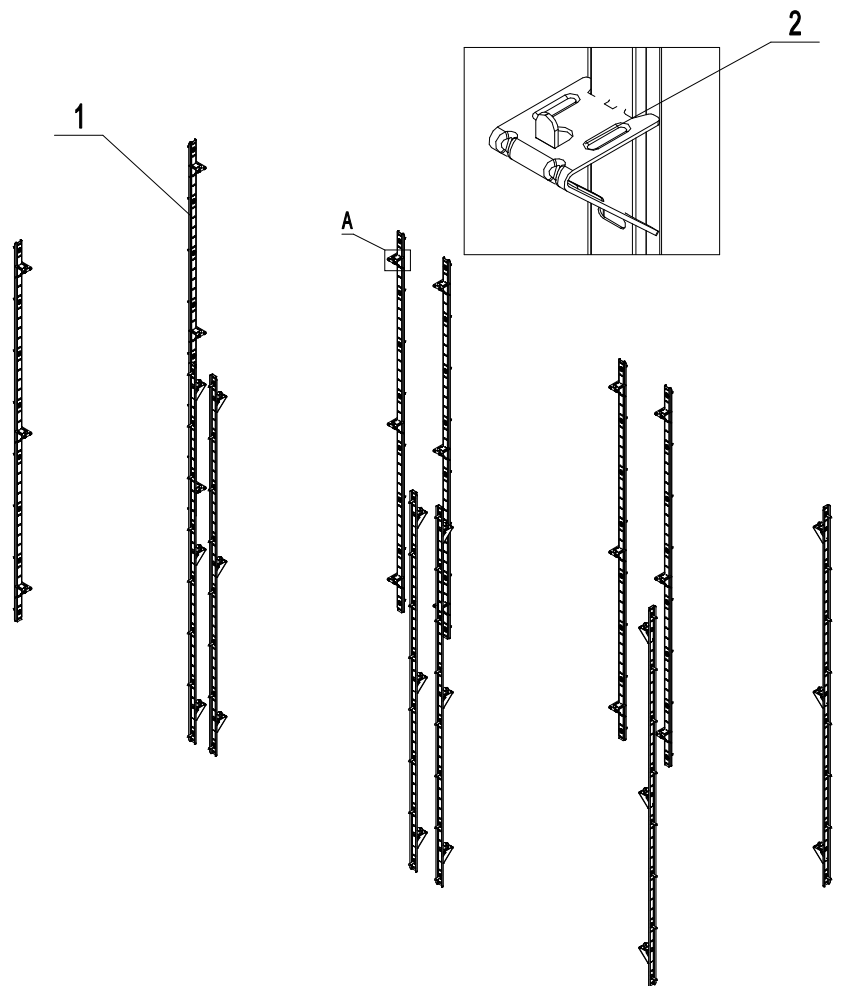
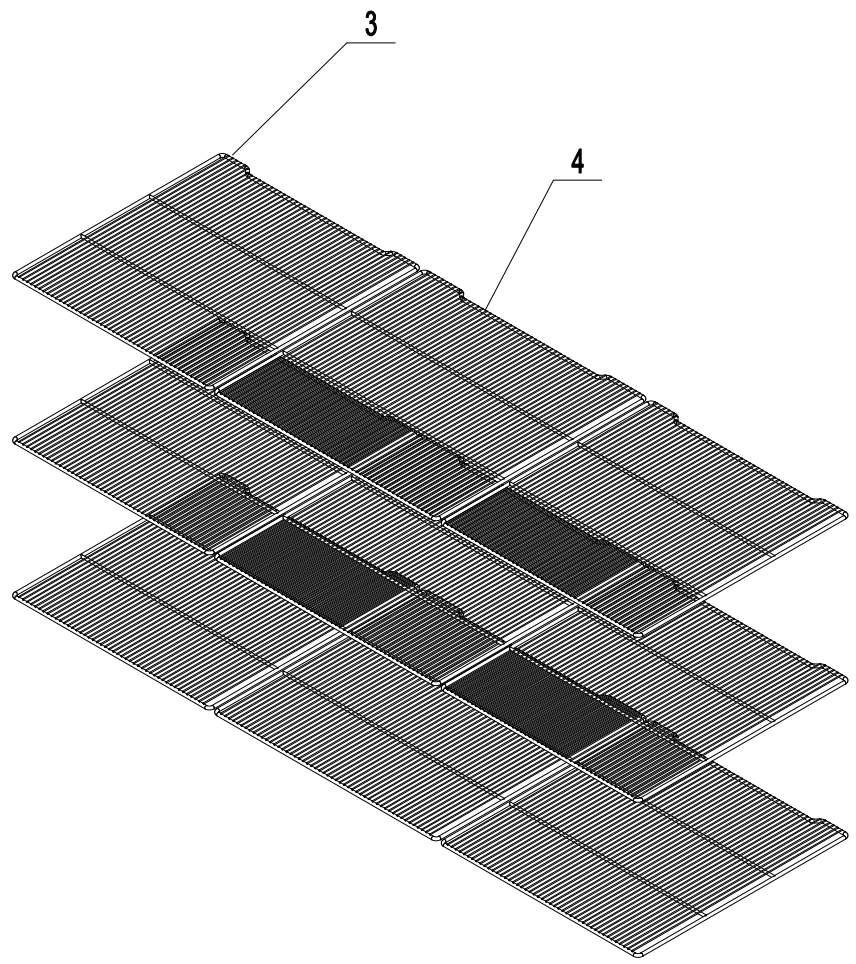
A  
B  
C  
D



Item #	Part #	Quantity	Description
5	85041111	1	Mullion Front Cover
4	W0410976	2	Mullion Plastic Connector
3	W0310110	1	Mullion Heater
2	W0499086	1	Mullion Foam
1	85041110	1	Mullion Back Cover

85080453

A  
B  
C  
D

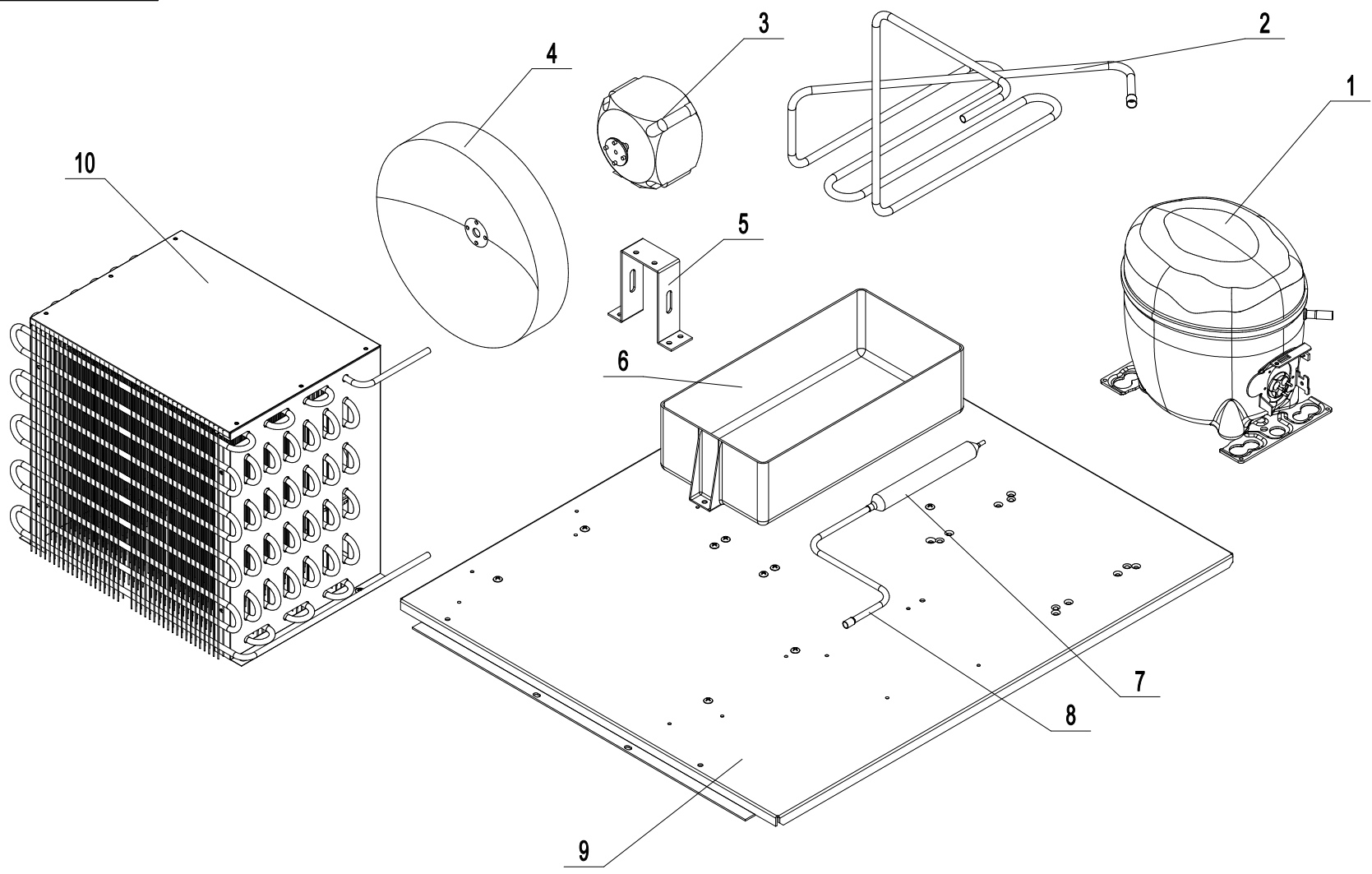


Item #	Part #	Quantity	Description
4	W0402388	3	Shelf (Mid)
3	W0402387	6	Shelf (R&L)
2	66490313	36	Shelf Clip
1	80037410	12	Pilaster For Shelf

1 2 3 4 5 6

85080452

A  
B  
C  
D



Item #	Part #	Quantity	Description	Item #	Part #	Quantity	Description
10	W0203076	1	Condenser	5	80061601	1	Condenser Fan Bracket
9	85031804	1	Compressor Board	4	W0301061	1	Condenser Fan Blade
8	W0210625	1	Connecting Coil to Condenser	3	W0301905	1	Condenser Fan
7	W0204101	1	Dry Filter	2	W0210624	1	High Pressure Coil
6	W0411152	1	Plastic Drain Pan	1	W0201165	1	Compressor

1 2 3 4 5 6