



STAINLESS STEEL Drop-In Water Stations With Iced Bin and Filler Faucet



D-24-WSIBL
21" x 18"



D-24-WSIBL2
18" x 21"

Add A 7-Circuit Cold Plate
To D-24-WSIBL2
Add SU-49

Item #: _____ Qty #: _____
Model #: _____
Project #: _____



FEATURES:

Removable grate covers drip pan.
Rubber thermal breaker to reduce condensation.
Supplied with stainless steel sliding cover.

MECHANICAL:

1" IPS drain (drip pan and ice bin)
Filler faucet has a cold connection with 1/2" IPS
Faucet meets federal lead free standards.

MATERIAL:

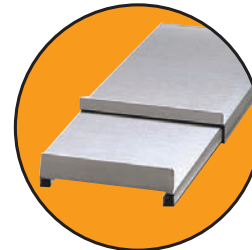
Jacket: 20 gauge galvanized steel
Ice Bin: 20 gauge, 300 stainless steel
Cover: 20 gauge stainless steel (7:00 pmSIBL and 7:00 pmSIBL2 only)
Molding: Extruded black polyethylene thermal breaker marine edge
Insulation: 2lbs. density foam-in-place insulation

OPTIONAL:

D-12: Replacement sliding stainless steel cover



**Units Include K-54
Filler Faucet**



**Units Include Sliding
Stainless Steel Cover**

Model #	Description	Outside Dimensions	Cut-Out Size	Ice Capacity	Approx. Weight	Approx. Cu. Ft.
D-24-WSIBL	Water Station w/ Ice Bin	21" x 18"	20 5/8" x 15 1/4"	23 lbs.	30 lbs.	5
D-24-WSIBL2	Water Station w/ Ice Bin	18" x 21"	15 1/4" x 20 5/8"	50 lbs.	47 lbs.	5

WARNING: Equipment that include faucets on this page may contain a chemical known to the State of California to cause cancer, birth defects or other reproductive harm.



Customer Service Available To Assist You 1-800-645-3166 8:30 am - 7:00 pm E.S.T.

For Orders & Customer Service:
Email: customer@advancetabco.com or Fax: 631-242-6900

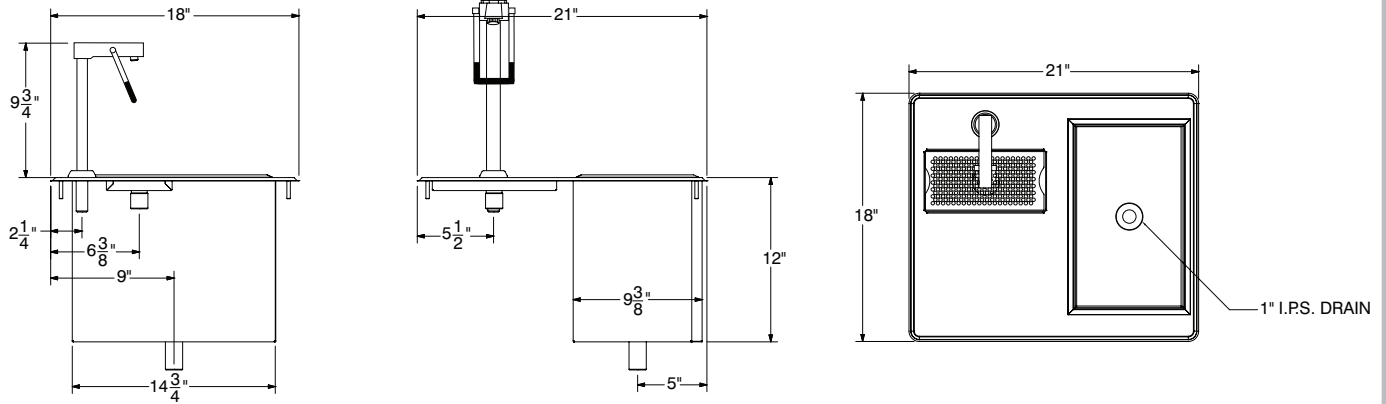
For Smart Fabrication™ Quotes:
Email: smartfab@advancetabco.com or Fax: 631-586-2933

DIMENSIONS and SPECIFICATIONS

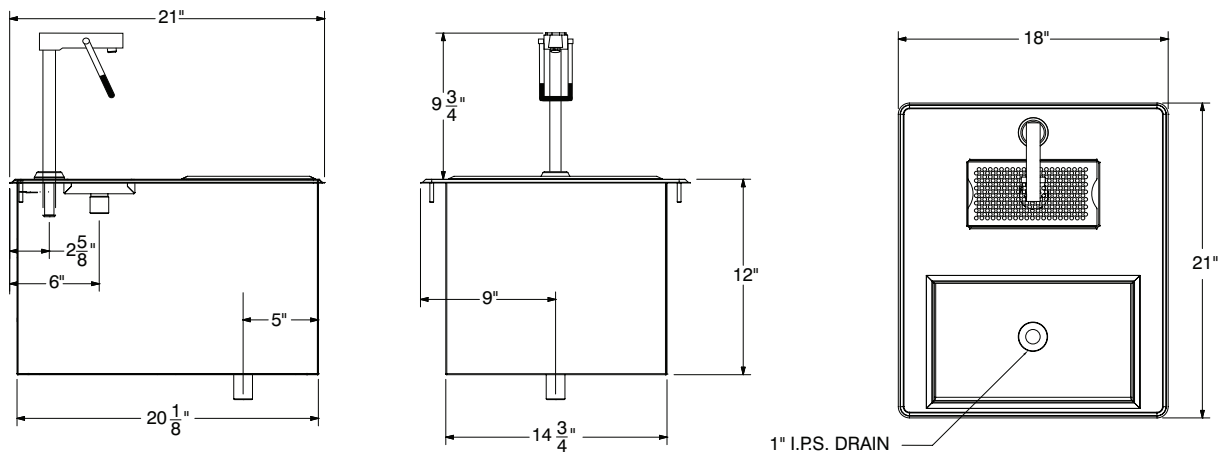
TOL Overall: ± .500" Interior: ± .250"

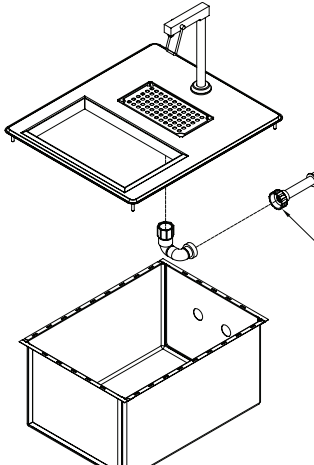
ALL DIMENSIONS ARE TYPICAL

D-24-WSIBL



D-24-WSIBL2





**NOTE ON INSTALLING
D-24-WSIBL2**

To install D-24-WSIBL2 unit into mounting surface, please loosen coupling and remove this section.

After unit has been placed into the mounting surface, re-attach this section and continue plumbing as normal.

