



STAINLESS STEEL  
**DROP-IN SINKS**  
 One Compartment - FOR HAND SINK USE

Sinks Include Gooseneck Faucet & Drain



Item #: \_\_\_\_\_ Qty #: \_\_\_\_\_  
 Model #: \_\_\_\_\_  
 Project #: \_\_\_\_\_

**FEATURES:**

One piece seamless **Deep Drawn** sink bowl design.  
 All sink bowls have a large liberal radii with a minimum dimension of 2" and are rectangular in design for increased capacity.  
 Self-Rim Design. Mounting clips provided accommodates all thicknesses of counter. (Quantity supplied varies based on drop in sink ordered).  
 Includes 4" O.C. **K-52** faucet.  
 Includes 3" Drain Basket Drain\*.  
 \*DI-1-25 Includes 2" Drain with Strainer Plate.

**CONSTRUCTION:**

Unit fabricated from one sheet of stainless steel.  
 All bowls are Sound Deadened.  
 Units feature Advance Tabco's **Smart Finish™**.

**MECHANICAL:**

Faucet supply is 1/2" IPS male thread.  
 Deck mounted faucet is furnished with aerator and 4" O.C.

**MATERIAL:**

20 gauge type 304 series stainless steel.  
 Faucets are brass-nickel plated.  
 Drains are 1-1/2" IPS.



DI-1-5



DI-1-25



DI-1-5SP



DI-1-10

New 6" Rear & Side Splash



DI-1-10SP



DI-1-35



**STANDARD MOUNTING CLIPS**  
 For countertops over 7/8" and up to 2" thick.  
 Replacement # K-28 (Per Sink)

Available Faucets & Accessories	Model #	Qty
Deck Mounted 3 1/2" Gooseneck. 4" O.C.	K-52	
Deck Mounted 8 1/2" Gooseneck. 4" O.C.	K-55	
Deck Mounted Swing w/Spray. 8" O.C.*	K-58	
Deck Mtd. X.H.D. 3 1/2" Gooseneck. 4" O.C.	K-62	
Mounting Clips (Bag of 4).	K-28	

\*REQUIRES K-472 FAUCET HOLE REVISION



Conforms To NSF 61/9 Lead Free Requirements  
**CA Prop 65 WARNING:** This product may contain a chemical known to the state of California to cause cancer, birth defects or other reproductive harm.



Customer Service Available To Assist You 1-800-645-3166 8:30 am - 8:00 pm E.S.T.

For Orders & Customer Service:  
 Email: customer@advancetabco.com or Fax: 631-242-6900

For Smart Fabrication™ Quotes:  
 Email: smartfab@advancetabco.com or Fax: 631-586-2933

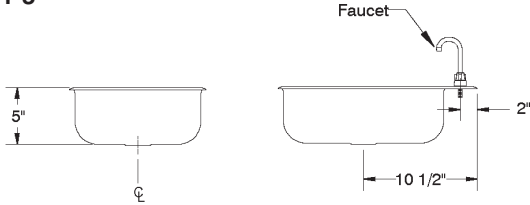
# DIMENSIONS and SPECIFICATIONS

TOL ± .125"

Supplied with K-52 Faucet

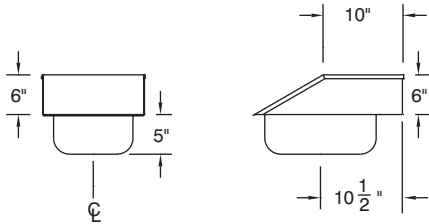
ALL DIMENSIONS ARE TYPICAL

## DI-1-5



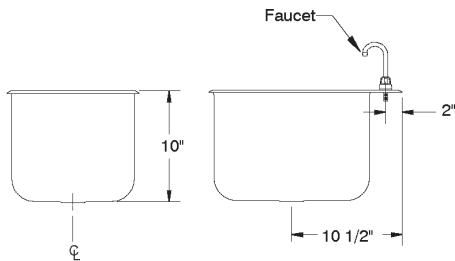
Approx. Wt. 12 lbs.

## DI-1-5SP



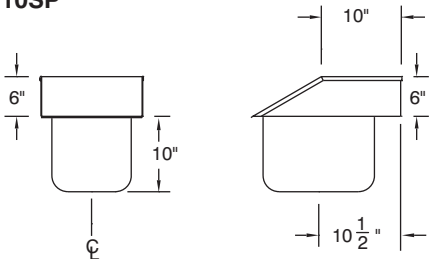
Approx. Wt. 16 lbs.

## DI-1-10



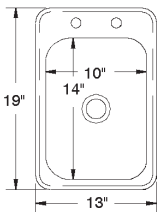
Approx. Wt. 14 lbs.

## DI-1-10SP



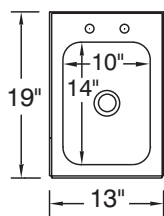
Approx. Wt. 18 lbs.

### TOP VIEW FOR DI-1-5 & DI-1-10

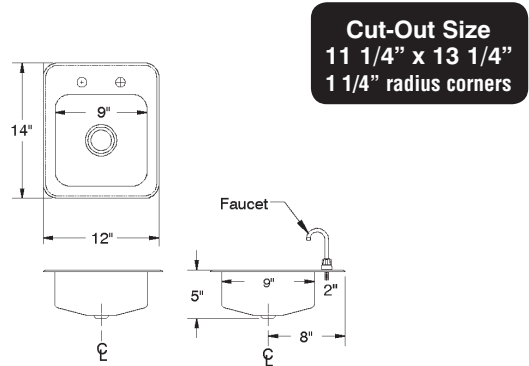


**Cut-Out Size**  
12 1/4" x 18 1/4"  
1 1/4" radius corners

### TOP VIEW FOR DI-1-5SP & DI-1-10SP

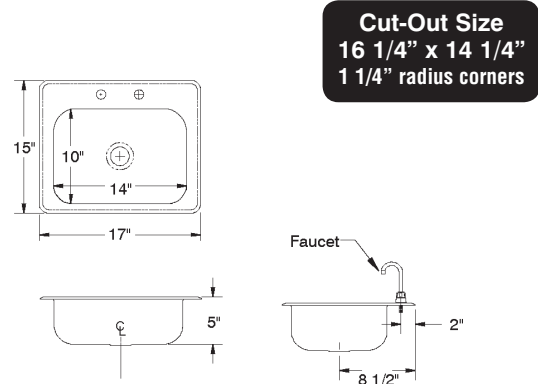


## DI-1-25



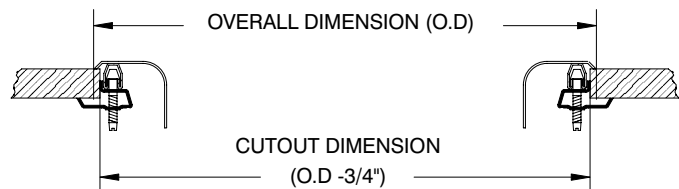
Approx. Wt. 8 lbs.

## DI-1-35



Approx. Wt. 10 lbs.

### TYPICAL INSTALLATION



Cut-Out Size = L to R x F to B

Standard Mounting Clips Fit Countertops  
Over 7/8" & Up To 2" Thick.

