



AM-50BAJ-(AD)DS

SELF-CONTAINED CUBER WITH BUILT-IN STORAGE BIN




AM-50BAJ-(AD)DS
01/12/18
Item # 13204

Item #: _____
 Project: _____
 Qty: _____
 AIA#: _____

W x D x H
AM-50BAJ / AM-50BAJ-DS
14⁷/₈" x 22⁵/₈"* x 33¹/₂"
 Shipping Dimensions 20³/₄" x 30¹/₂" x 40"

AM-50BAJ-AD / AM-50BAJ-ADDS
14⁷/₈" x 22⁵/₈"* x 31¹/₂"
 Shipping Dimensions 20³/₄" x 30¹/₂" x 38"

(-AD) - ADA Compliant 
 (-DS) - Customized Cabinet Door System

* not including handle



AM-50BAJ
Air-Cooled
(Shown)
AM-50BAJ-AD
Air-Cooled
ADA Compliant Unit



AM-50BAJ-DS*
(Shown)
with Custom Cabinetry
AM-50BAJ-ADDS*
Air-Cooled
ADA Compliant Unit

*Customer responsible for providing cabinetry



Features

- ▶ **UL approved for outdoor use**
- ▶ **Undercounter design**
- ▶ **Drain pump option available**

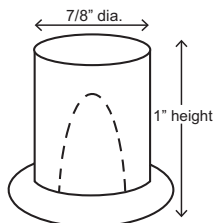
- Up to 55 lbs. of ice production per 24 hours
- Fewer moving parts for longer life
- Power switch accessible without panel removal
- Less than 34 inches tall (AM-50BAJ, AM-50BAJ-DS)
- Less than 32 inches tall; ADA Compliant (AM-50BAJ-AD, AM-50BAJ-ADDS)
- Up to 22 lbs. of built-in storage capacity
- Easily disassembled water circuit for easy cleaning
- Front in and out airflow
- Equipped with 6 ft. Cord with NEMA 5-15 Plug
- R-134a Refrigerant

Warranty:

2 Year Parts & Labor on entire machine.
 1 Year Parts & Labor on HS-5061 Drain Pump Assembly.
 Valid in United States, Canada, Puerto Rico and U.S. Territories. Contact factory for warranty in other countries.

Condenser	Model	ICE PRODUCTION		WATER USAGE		ELECTRICAL				Heat Rejection BTU/hr.	Refrigerant Charge Amount	Net / Ship Weight (lbs.)
		Air / Water Temp Lbs. per 24 hours 70°/50°F 90°/70°F		Potable Gal. per 100 lbs. 90°/70°F	Condenser Gal. per 100 lbs. 90°/70°F	kWh Used per 100 lbs. 90°/70°F	Max. Fuse Sz or HACR Circuit Bkr	Amperage	Voltage			
Air	AM-50BAJ(-DS)	51	35	71.0	N/A	17.0	15A	3.8A	115V/60/1	1,900	4.2oz	88 / 97
Air	AM-50BAJ-AD(-DS)	55	34	63.9	N/A	16.8	15A	3.8A	115V/60/1	1,900	4.2oz	88 / 99

AM Cube Dimensions*



* approximate size in inches, image not to scale

Operating Limits

- Ambient Temp Range 45 - 100°F
- Water Temp Range 45 - 95°F
- Water Pressure 7 - 113 PSIG
- Voltage Range 104-127V

Location

- Allow 15" (38 cm) at front and enough space at rear for water supply and drain connections.
- Location must provide a firm and level foundation.
- Do not place near ovens, grills or other high heat producing equipment.

Parts

- -DS Door Reversal Part - HS-0229
Optional Kit required for (-DS) models
- Side trim kit available
- Accessory - HS-5061 Drain Pump Assembly
- Water filter - H9320-51

Plumbing

- Icemaker Water Supply Line: Minimum 1/4" Nominal ID Copper Water Tubing or Equivalent
- Icemaker Drain Line: Minimum 1/2" Nominal ID Hard Pipe or Equivalent



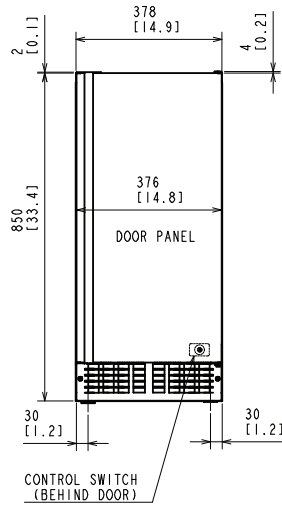
AM-50BAJ-(AD)DS

SELF-CONTAINED CUBER WITH BUILT-IN STORAGE BIN

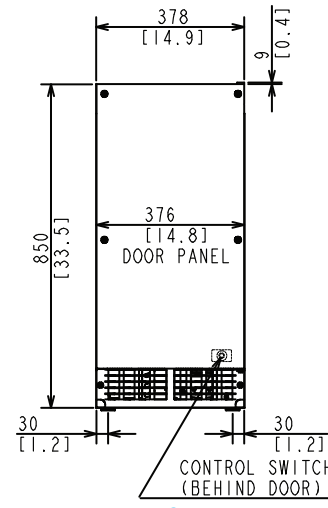


AM-50BAJ-(AD)DS
01/12/18
Item # 13204

FRONT VIEW



AM-50BAJ*

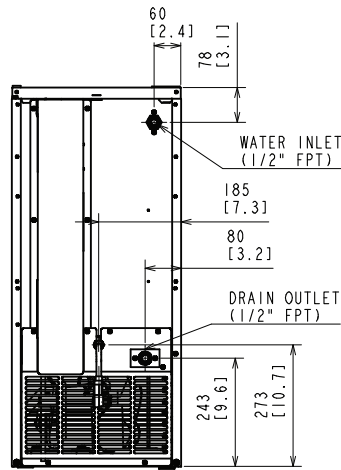


AM-50BAJ-DS*

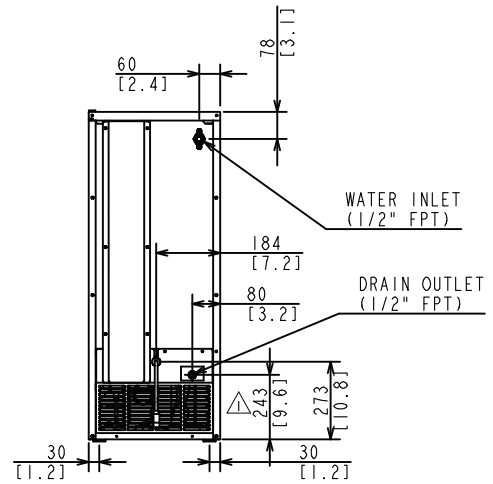
mm
[inch]

* -AD models have height of 31.5"

REAR VIEW



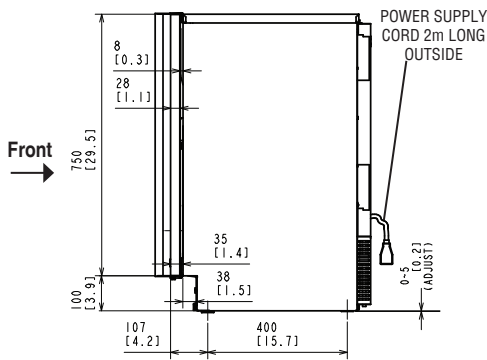
AM-50BAJ*



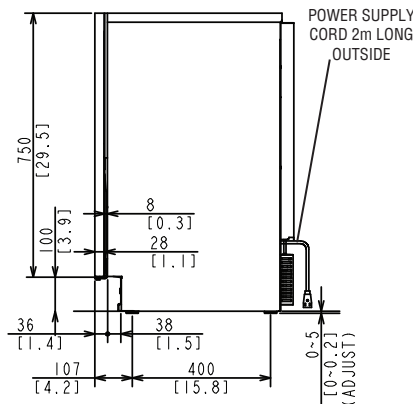
AM-50BAJ-DS*

* -AD models have height of 31.5"

SIDE VIEW



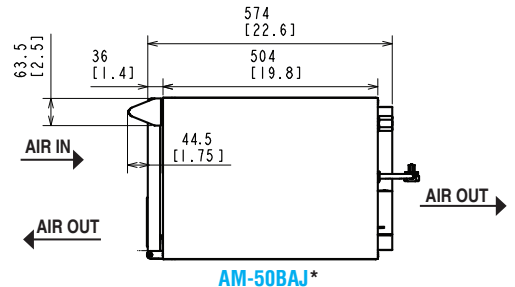
AM-50BAJ*



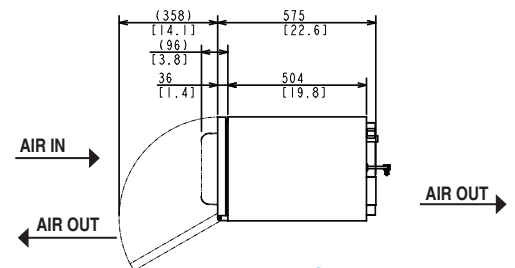
AM-50BAJ-DS*

* -AD models have height of 31.5"

TOP VIEW



AM-50BAJ*



AM-50BAJ-DS*