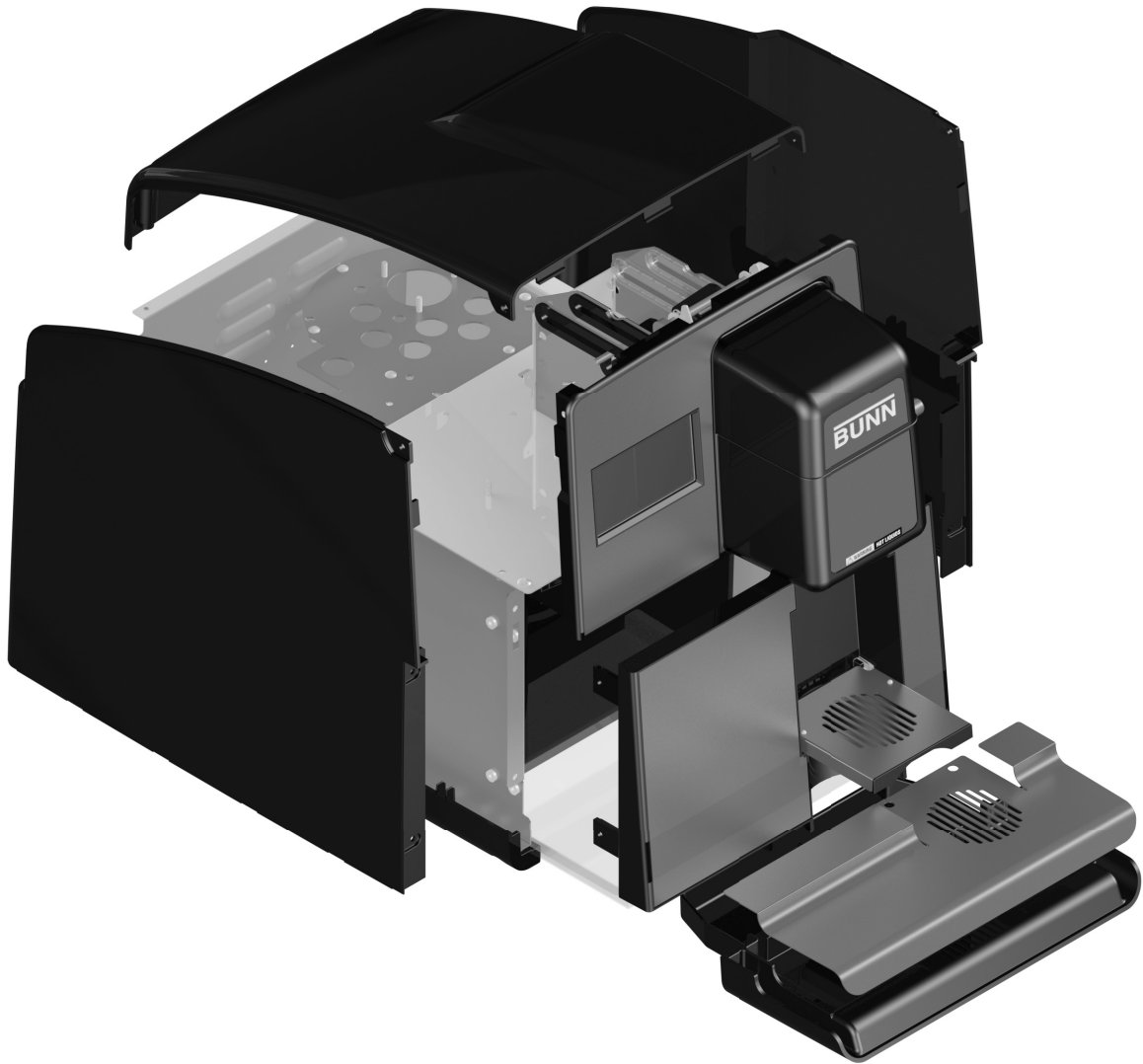


BUNN®

My Café® MCO



ILLUSTRATED PARTS CATALOG

Designs, materials, weights, specifications, and dimensions for equipment or replacement parts are subject to change without notice.

BUNN-O-MATIC CORPORATION

POST OFFICE BOX 3227

SPRINGFIELD, ILLINOIS 62708-3227

PHONE: (217) 529-6601 FAX: (217) 529-6644



BUNN-O-MATIC COMMERCIAL PRODUCT WARRANTY

Bunn-O-Matic Corp. ("BUNN") warrants equipment manufactured by it as follows:

- 1) Airpots, thermal carafes, decanters, GPR servers, iced tea/coffee dispensers, MCR/MCP/MCA single cup brewers, thermal servers and ThermoFresh® servers (mechanical and digital) 1 year parts and 1 year labor.
- 2) All other equipment - 2 years parts and 1 year labor plus added warranties as specified below:
 - a) Electronic circuit and/or control boards - parts and labor for 3 years.
 - b) Compressors on refrigeration equipment - 5 years parts and 1 year labor.
 - c) Grinding burrs on coffee grinding equipment to grind coffee to meet original factory screen sieve analysis - parts and labor for 4 years or 40,000 pounds of coffee, whichever comes first.

These warranty periods run from the date of installation BUNN warrants that the equipment manufactured by it will be commercially free of defects in material and workmanship existing at the time of manufacture and appearing within the applicable warranty period. This warranty does not apply to any equipment, component or part that was not manufactured by BUNN or that, in BUNN's judgment, has been affected by misuse, neglect, alteration, improper installation or operation, improper maintenance or repair, non periodic cleaning and descaling, equipment failures related to poor water quality, damage or casualty. In addition, the warranty does not apply to replacement of items subject to normal use including but not limited to user replaceable parts such as seals and gaskets. This warranty is conditioned on the Buyer 1) giving BUNN prompt notice of any claim to be made under this warranty by telephone at (217) 529-6601 or by writing to Post Office Box 3227, Springfield, Illinois 62708-3227; 2) if requested by BUNN, shipping the defective equipment prepaid to an authorized BUNN service location; and 3) receiving prior authorization from BUNN that the defective equipment is under warranty.

THE FOREGOING WARRANTY IS EXCLUSIVE AND IS IN LIEU OF ANY OTHER WARRANTY, WRITTEN OR ORAL, EXPRESS OR IMPLIED, INCLUDING, BUT NOT LIMITED TO, ANY IMPLIED WARRANTY OF EITHER MERCHANTABILITY OR FITNESS FOR A PARTICULAR PURPOSE. The agents, dealers or employees of BUNN are not authorized to make modifications to this warranty or to make additional warranties that are binding on BUNN. Accordingly, statements by such individuals, whether oral or written, do not constitute warranties and should not be relied upon.

If BUNN determines in its sole discretion that the equipment does not conform to the warranty, BUNN, at its exclusive option while the equipment is under warranty, shall either 1) provide at no charge replacement parts and/or labor (during the applicable parts and labor warranty periods specified above) to repair the defective components, provided that this repair is done by a BUNN Authorized Service Representative; or 2) shall replace the equipment or refund the purchase price for the equipment.

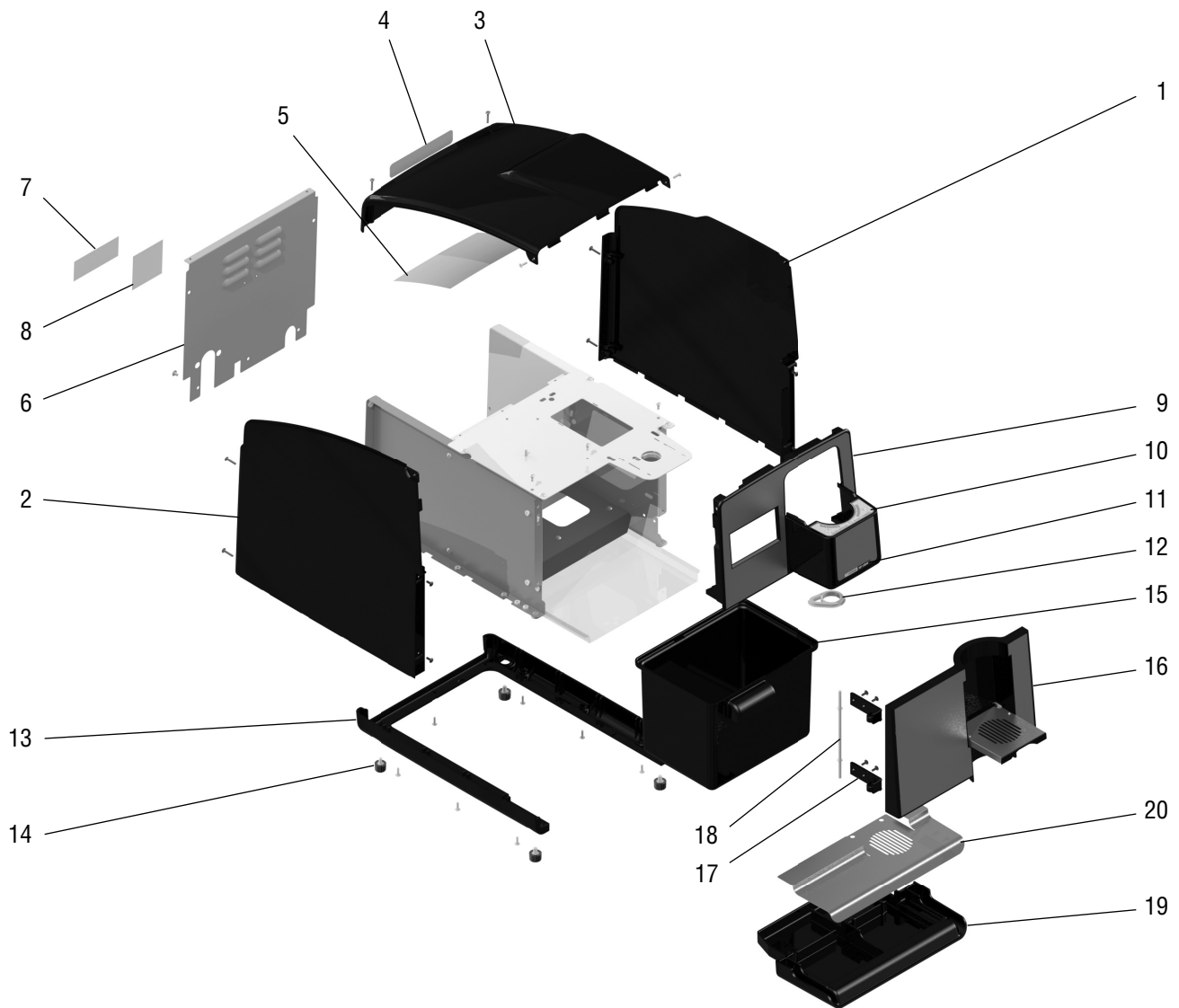
THE BUYER'S REMEDY AGAINST BUNN FOR THE BREACH OF ANY OBLIGATION ARISING OUT OF THE SALE OF THIS EQUIPMENT, WHETHER DERIVED FROM WARRANTY OR OTHERWISE, SHALL BE LIMITED, AT BUNN'S SOLE OPTION AS SPECIFIED HEREIN, TO REPAIR, REPLACEMENT OR REFUND.

In no event shall BUNN be liable for any other damage or loss, including, but not limited to, lost profits, lost sales, loss of use of equipment, claims of Buyer's customers, cost of capital, cost of down time, cost of substitute equipment, facilities or services, or any other special, incidental or consequential damages.

392, A Partner You Can Count On, Air Infusion, AutoPOD, AXIOM, BrewLOGIC, BrewMETER, Brew Better Not Bitter, BrewWISE, BrewWIZARD, BUNN Espresso, BUNN Family Gourmet, BUNN Gourmet, BUNN Pour-O-Matic, BUNN, BUNN with the stylized red line, BUNNlink, Bunn-O-Matic, Bunn-O-Matic, BUNNserve, BUNNSERVE with the stylized wrench design, Cool Froth, DBC, Dr. Brew stylized Dr. design, Dual, Easy Pour, EasyClear, EasyGard, FlavorGard, Gourmet Ice, Gourmet Juice, High Intensity, iMIX, Infusion Series, Intellisteam, My Café, Phase Brew, PowerLogic, Quality Beverage Equipment Worldwide, Respect Earth, Respect Earth with the stylized leaf and coffee cherry design, Safety-Fresh, savemycoffee.com, Scale-Pro, Silver Series, Single, Smart Funnel, Smart Hopper, SmartWAVE, Soft Heat, SplashGard, The Mark of Quality in Beverage Equipment Worldwide, ThermoFresh, Titan, trifacta, TRIFECTA (stylized logo), Velocity Brew, Air Brew, Beverage Bar Creator, Beverage Profit Calculator, Brew better, not bitter., Build-A-Drink, BUNNSource, Coffee At Its Best, Cyclonic Heating System, Daypart, Digital Brewer Control, Element, Milk Texturing Fusion, Nothing Brews Like a BUNN, Picture Prompted Cleaning, Pouring Profits, Signature Series, Sure Tamp, Tea At Its Best, The Horizontal Red Line, Ultra are either trademarks or registered trademarks of Bunn-O-Matic Corporation. The commercial trifacta® brewer housing configuration is a trademark of Bunn-O-Matic Corporation.

TABLE OF CONTENTS

Panels & Housing	4
Brew Chamber Assembly	6
Tank Components	8
Plumbing	10
Electrical Components	14
Numerical Index.....	16



PANELS AND HOUSING

ITEM	PART NO.	QTY.	DESCRIPTION
1	48423.0003	1	Panel, Right Side
	01382.0007	2	Screw, Front TRH SLTD BLK 6-32x.375
	01388.0002	2	Screw, Rear TRH SLTD BLK 6-32x.75
2	48423.0004	1	Panel, Left Side
	01382.0007	2	Screw, Front TRH SLTD BLK 6-32x.375
	01388.0002	2	Screw, Rear TRH SLTD BLK 6-32x.75
3	48423.1004	1	Panel w/Decal, Top (Includes 4)
	49144.0000	2	Screw, Front FH PH BLK 6-32x.5
	01388.0002	2	Screw, Rear TRH SLTD BLK 6-32x.75
4	37881.0002	1	Decal, Warning
5	49245.0000	1	Schematic
6	49278.1000	1	Cover, Back (Includes 7 & 8)
	01308.0000	3	Screw, Rear TRH SLTD SST 6-32x.25
7	00656.0001	1	Decal, Comply to Plumbing Code
8	00986.0000	1	Decal, Warning, Electrical
9	50280.1000	1	Panel Assembly w/Decals
10	49867.0000	1	Decal, Warning Sharp Needle
11	37280.0001	1	Decal, Warning Hot Liquids
12	49950.0000	1	Grommet
13	48422.0000	1	Housing, Base
	01380.0000	6	Screw, TRH SLTD SST 6-32x.5
14	24600.0000	1	Kit, Foot (Includes 4 feet)
15	48429.0000	1	Bin, Waste
16	48424.1000	1	Door Assembly (Includes hinges installed)
	01382.0007	4	Screw, Front TRH SLTD BLK 6-32x.375
17	48426.1000	1	Kit, Hinge (Includes 2 hinges, 4 screws, 2 E-rings)
18	48617.1000	1	Kit, Hinge Pin (Includes pin & 2 E-rings)
19	48430.0000	1	Drip Tray
20	48432.0000	1	Grate, Drip Tray

* Indicates the part number listed is for reference only. See DESCRIPTION for possible service replacement.

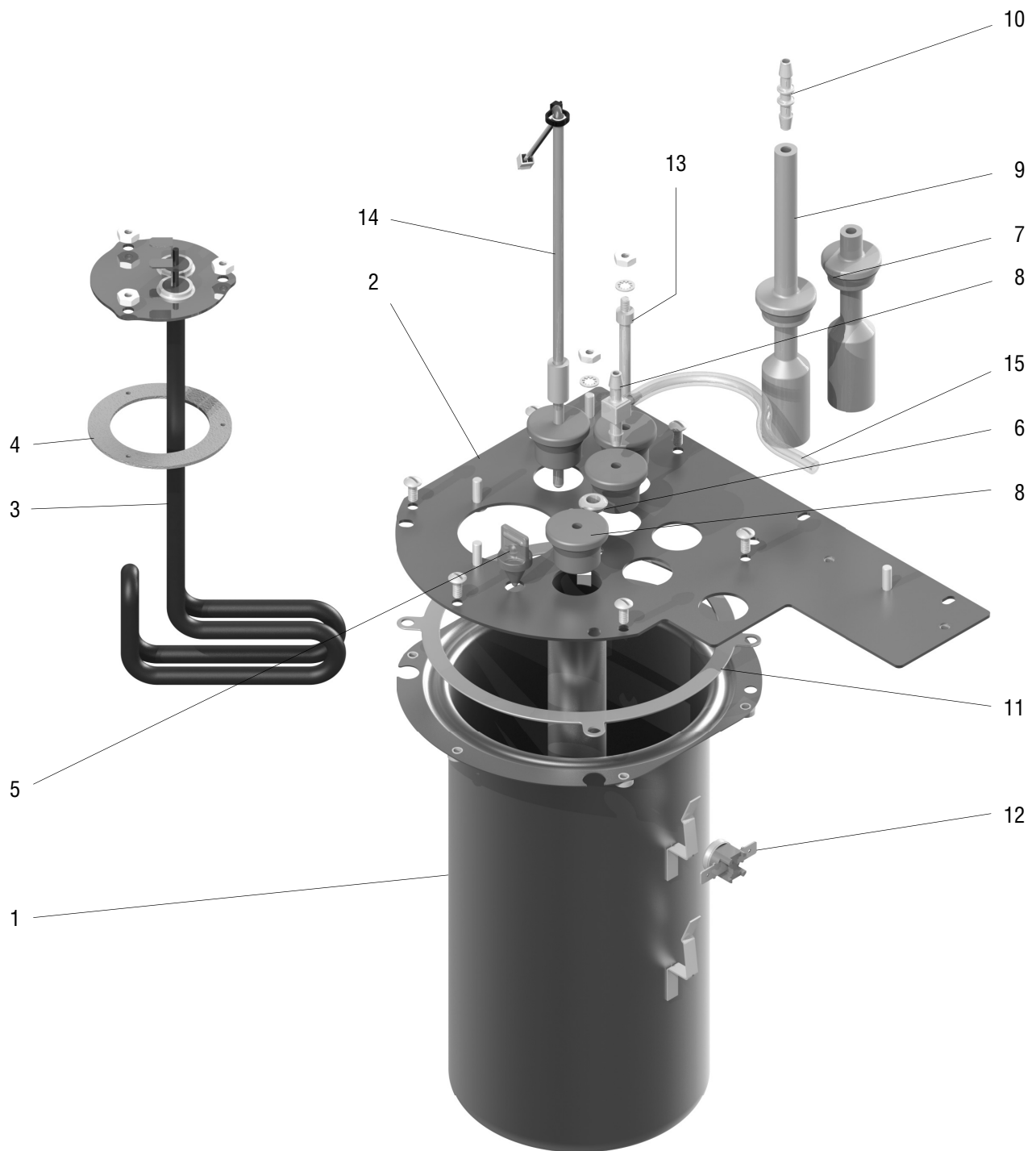
BREW CHAMBER ASSEMBLY

ITEM	PART NO.	QTY.	DESCRIPTION
1	48840.1000	1	Hood Assembly, Brew Mech. w/Name Plate
2	48755.1001	1	Kit, Sprayhead & Seals
3	44846.1000	1	Seal
4	48490.0001	1	Insert Assembly
5	36536.1000	1	Switch, Snap Action
6	49752.0000	1	Handle w/set screws
7	48826.1000	1	Brew Mechanism (Includes 1-6)
8		1	Tube 7.5" Refer to # 13, (cut as needed)
9	47846.0000	1	Link
10	49211.0000	1	Spring
11	48897.1000	1	Kit, Set Screws (3 pack)
12	51032.0000	1	Kit, E-rings (5 small, 5 large)

The following items are not illustrated

13	42916.1000	1 Foot	Tube, Bulk
	42916.1001	3 Feet	Tube, Bulk
	42916.1002	10 Feet	Tube, Bulk
	42916.1004	250 Feet	Tube, Bulk
14	50509.0000	1	Oil, Super Lube

* Indicates the part number listed is for reference only. See DESCRIPTION for possible service replacement.



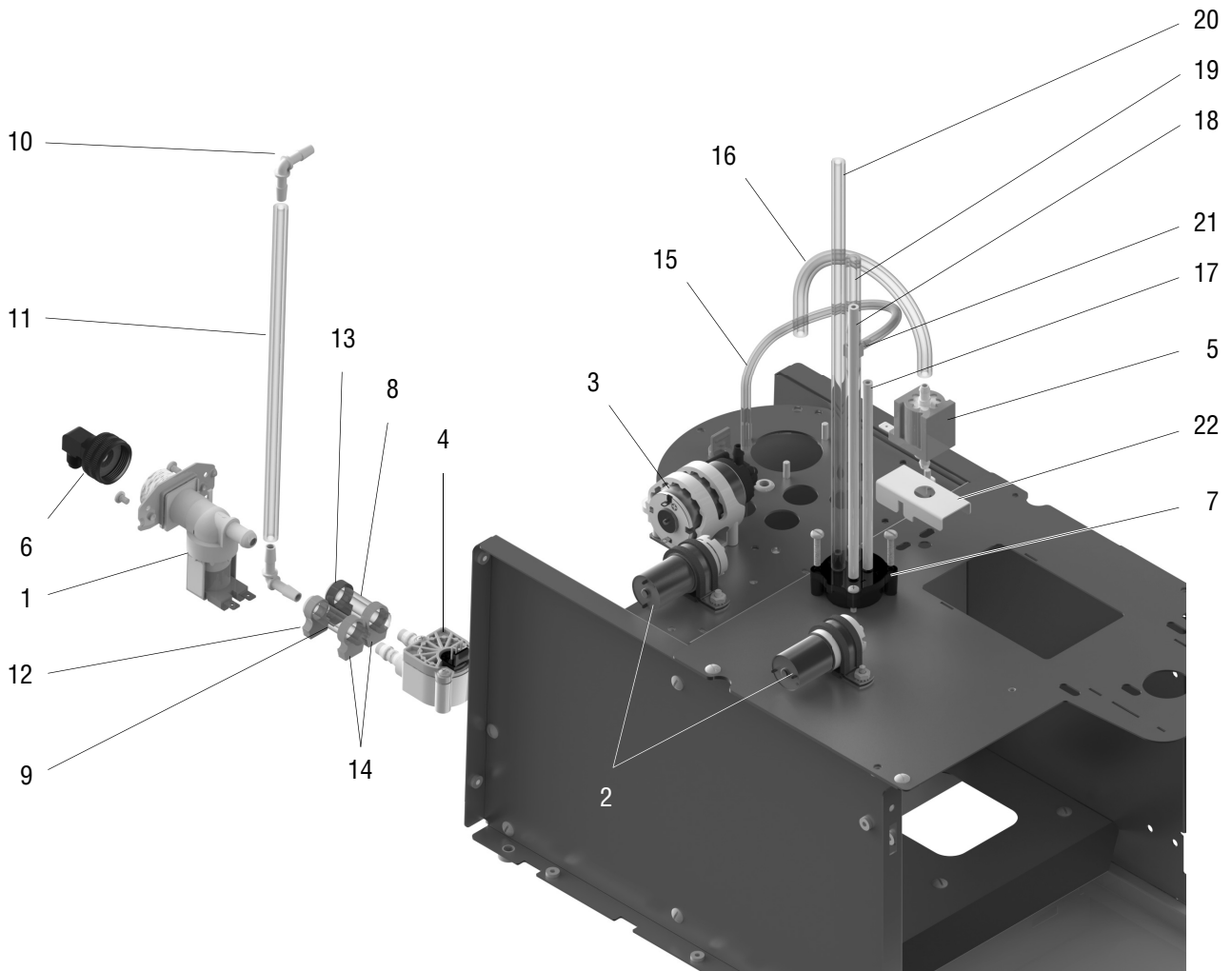
TANK COMPONENTS

ITEM	PART NO.	QTY.	DESCRIPTION
1	47478.0000	1	Tank
2	49109.0000	1	Lid, Tank
3	48316.1001 00908.0000	1 3	Heater (Includes Gasket) Nuts, 8-32
4	39590.0000	1	Gasket
5	44235.0000	1	Plug
6	12928.0000	1	Grommet,
7	44304.0001	1	Tube, Hot Water Pickup
8	33801.0003	4	Grommet, Probes
9	44304.0000	1	Tube, Hot Water Pickup
10	45515.1000	1	Connector
11	47270.0001	1	Gasket, Tank Lid
12	29329.1000	1	Thermostat, Limit
13	43468.0000 00908.0000 20203.0100	1 1 1	Probe, Level Nut, 8-32 Lock Washer
14	28891.1011 01533.0010	1 1	Probe, Temperature Sensor 10.5" Spacer
15		1	Tube 5.5", (Refer to # 17, cut as needed)
16	41089.0000	1	Tee

The following items are not illustrated

17	42918.1000	1 Foot	Tube, Bulk
	42918.1001	3 Feet	Tube, Bulk
	42918.1002	10 Feet	Tube, Bulk
	42918.1004	250 Feet	Tube, Bulk

* Indicates the part number listed is for reference only. See DESCRIPTION for possible service replacement.

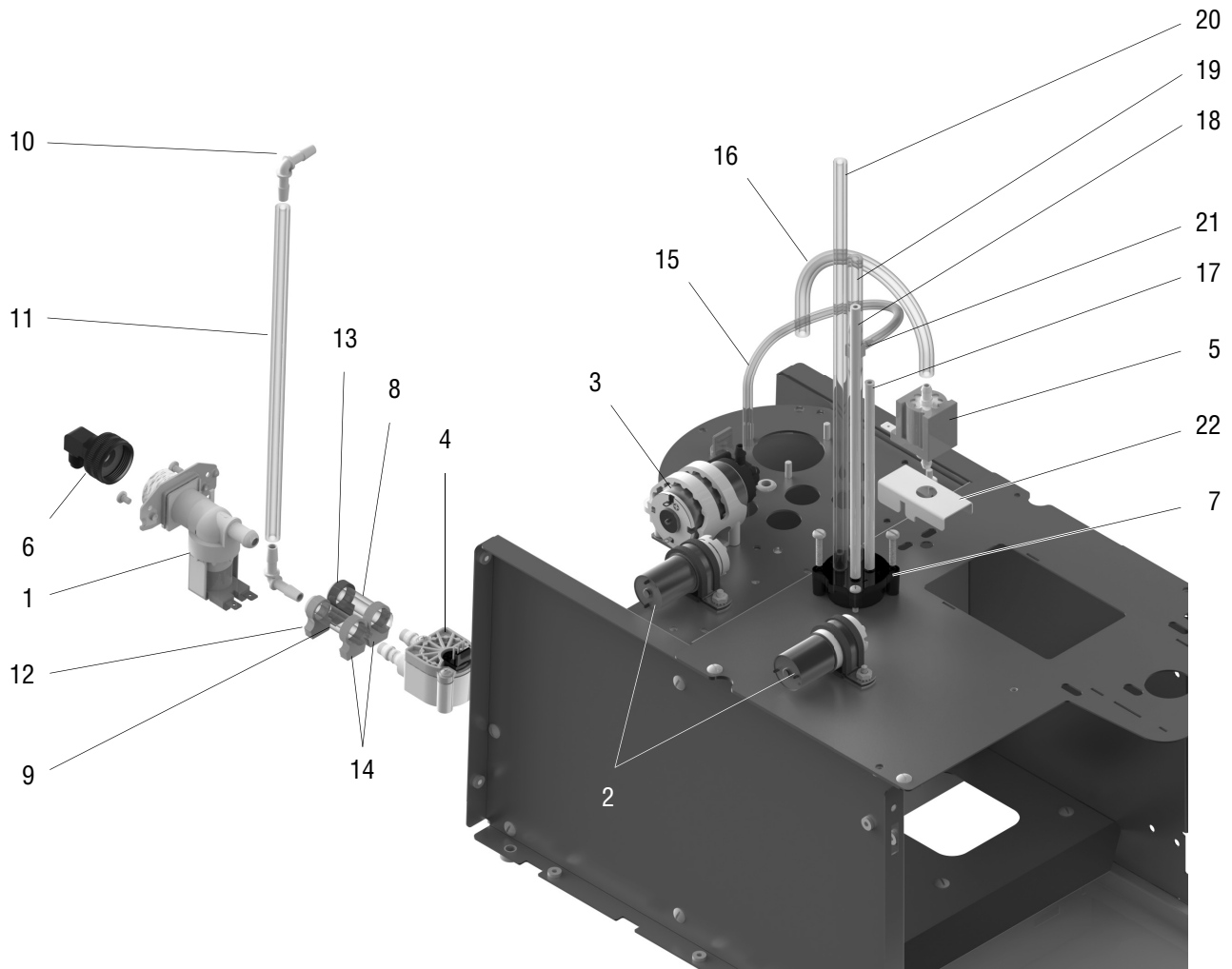


PLUMBING

ITEM	PART NO.	QTY.	DESCRIPTION
1	48961.0000	1	Inlet Valve
	32283.0000	2	Screws, SST SLTD PNH M4x6MM
2	38316.1000	2	Air Pump
	40935.0000	2	Clamp
	00970.0000	2	Nut, Keps 8-32
3	48899.1001	1	Water Pump
	47462.0000	1	Saddle
4	40752.1001	1	Flow Meter
5	39984.1001	1	Vent Valve (For late models with spacer bracket already installed)
	39984.1011	1	Vent Valve (For early models w/o spacer bracket)
6	37297.0006	1	Elbow
7	48050.1001	1	Check Valve
	01370.0002	2	Screws, PNH SLTD SST 8-32x.875"
8		1	Tube, .313" ID x 1.75" Refer to # 25, cut as needed
9		1	Tube, .25" ID x 1.75" Refer to # 26, cut as needed
10	49014.0000	2	Elbow
11		1	Tube, .188" ID x 10" Refer to # 23, cut as needed
12	12422.0000	1	Clamp SNP-6
13	12422.0001	1	Clamp SNP-10
14	12422.0006	2	Clamp SNP-8
15		1	Tube, .125" ID x 8.5" Refer to # 27, cut as needed
16		1	Tube, .188" ID x 8.5" Refer to # 23, cut as needed
17		1	Tube, .125" ID x 5.5" (Air Pump) Refer to # 24, cut as needed
18		1	Tube, .125" ID x 9.0" (Transducer) Refer to # 24, cut as needed
19		1	Tube, .188" ID x 2.5" (Water Pump) Refer to # 23, cut as needed
20		1	Tube, .188" ID x 12.0" (Brew Head) Refer to # 23, cut as needed
21	42781.0000	1	Tee
22	51477.0000	1	Spacer, Vent Valve

CONTINUED

* Indicates the part number listed is for reference only. See DESCRIPTION for possible service replacement.



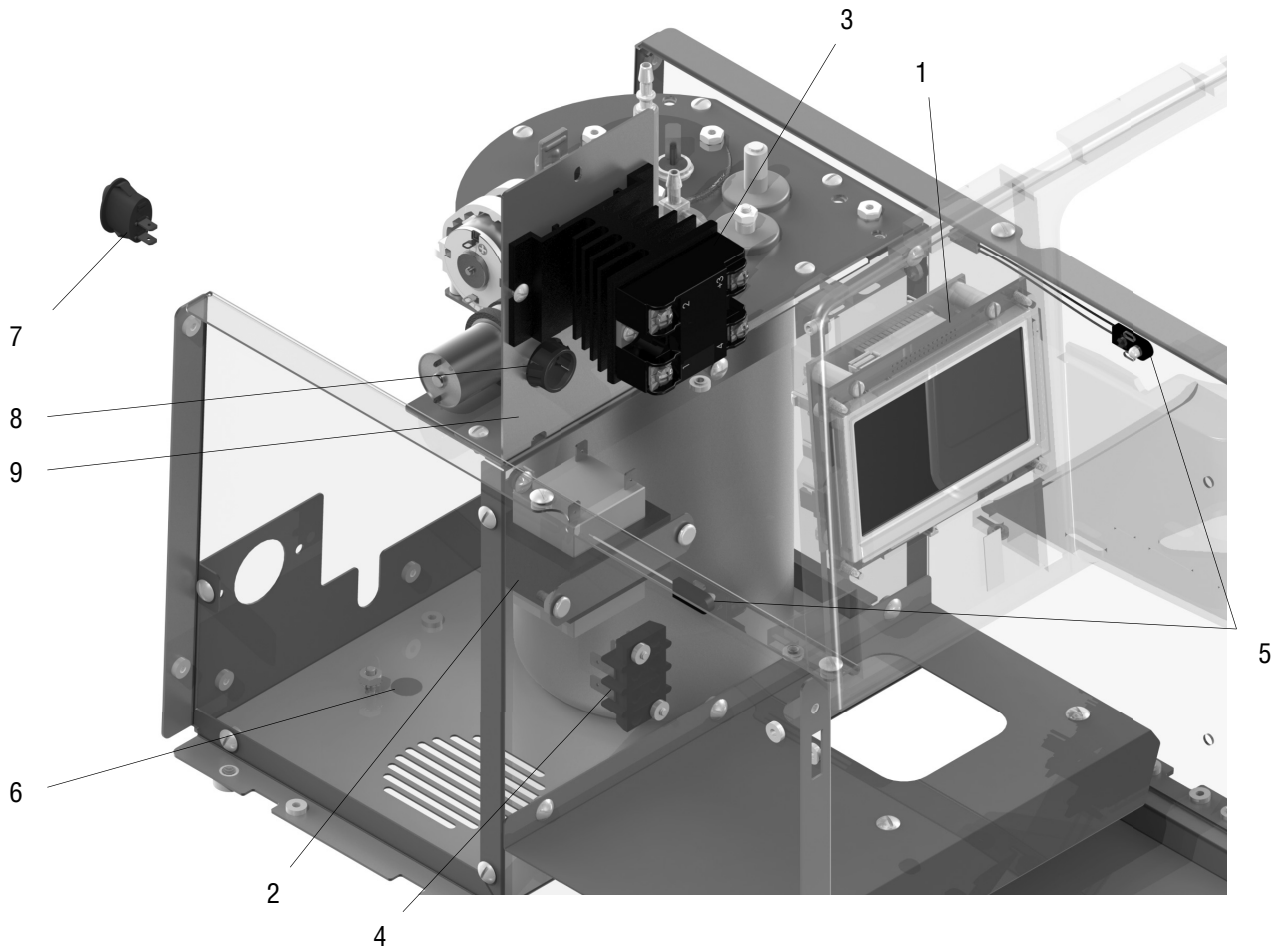
PLUMBING

ITEM	PART NO.	QTY.	DESCRIPTION
------	----------	------	-------------

The following items are not illustrated

23	42916.1000	1 Foot	Tube, Bulk
	42916.1001	3 Feet	Tube, Bulk
	42916.1002	10 Feet	Tube, Bulk
	42916.1004	250 Feet	Tube, Bulk
24	42918.1000	1 Foot	Tube, Bulk
	42918.1001	3 Feet	Tube, Bulk
	42918.1002	10 Feet	Tube, Bulk
	42918.1004	250 Feet	Tube, Bulk
25	28526.1000	1 Foot	Tube, Bulk
	28526.1001	3 Feet	Tube, Bulk
	28526.1002	5 Feet	Tube, Bulk
	28526.1003	10 Feet	Tube, Bulk
	28526.1004	50 Feet	Tube, Bulk
	28526.1005	250 Feet	Tube, Bulk
26	11707.1000	1 Foot	Tube, Bulk
	11707.1001	3 Feet	Tube, Bulk
	11707.1002	10 Feet	Tube, Bulk
	11707.1004	250 Feet	Tube, Bulk
27	36630.1000	1 Foot	Tube, Bulk
	36630.1001	3 Feet	Tube, Bulk
	36630.1002	10 Feet	Tube, Bulk

*** Indicates the part number listed is for reference only. See DESCRIPTION for possible service replacement.**



ELECTRICAL

ITEM	PART NO.	QTY.	DESCRIPTION
1	49371.1003	1	CBA/Display Assembly
	44224.0000	4	Screw, PNH PHH 6-20x.375"
2	48825.0000	1	Transformer
	00970.0000	2	Nut, Keps 8-32
3	49266.0000	1	SSR Assembly
	01382.0000	2	Screw, TRH SLTD 6-32x.375
4	04309.0000	1	Terminal Block
	01380.0000	2	Screw, TRH SLTD 6-32x.5
5	49001.1000	1	Sensor, Bin Empty
6	00824.0002	1	Decal, Ground
	00970.0000	1	Nut, Keps 8-32 (Ground Wire)
7	36285.0000	1	Switch
8	01663.0000	2	Bushing
9	49276.0000	1	Bracket
	01382.0000	2	Screw, TRH SLTD 6-32x.375

The following items are not illustrated

21	36381.0011	1	Power Cord 120VAC
22	48995.0000	1	Wiring Harness Flow Meter to CBA
23	49002.0000	1	Wiring Harness, Inlet Valve to CBA
24	48987.0000	1	Wiring Harness, Transformer to Terminal Block
25	48988.0000	1	Wiring Harness, Transformer to CBA
26	48989.0001	1	Wiring Harness, Main Switch to Terminal Block
27	48999.0000	1	Wiring Harness, Limit Thermostat to Tank Heater
28	48993.0000	1	Wiring Harness, Blowout Pump to CBA
29	48998.0000	1	Wiring Harness, Vent Valve to CBA
30	48991.0000	1	Wiring Harness, Sprayhead Switch to CBA
31	48992.0000	1	Wiring Harness, HW Air Pump to CBA
32	48994.0000	1	Wiring Harness, SSR to CBA
33	48990.0000	1	Wiring Harness, SSR to Limit Thermostat

* Indicates the part number listed is for reference only. See DESCRIPTION for possible service replacement.

NUMERICAL INDEX

PART NO.	PAGE NO.	PART NO.	PAGE NO.	PART NO.	PAGE NO.	PART NO.	PAGE NO.
00656.0001.....	5	42918.1002.....	9,13	49867.0000.....	5		
00824.0002.....	15	42918.1004.....	9,13	49950.0000.....	5		
00908.0000.....	9	43468.0000.....	9	50280.1000.....	5		
00970.0000.....	11,15	44224.0000.....	15	50509.0000.....	7		
00986.0000.....	5	44235.0000.....	9	51032.0000.....	7		
01308.0000.....	5	44304.0000.....	9	51477.0000.....	11		
01370.0002.....	11	44304.0001.....	9				
01380.0000.....	5,15	44846.1000.....	7				
01382.0000.....	15	45515.1000.....	9				
01382.0007.....	5	47270.0001.....	9				
01388.0002.....	5	47462.0000.....	11				
01533.0010.....	9	47478.0000.....	9				
01663.0000.....	15	47846.0000.....	7				
04309.0000.....	15	48050.1001.....	11				
11707.1000.....	13	48316.1001.....	9				
11707.1001.....	13	48422.0000.....	5				
11707.1002.....	13	48423.0003.....	5				
11707.1004.....	13	48423.0004.....	5				
12422.0000.....	11	48423.1004.....	5				
12422.0001.....	11	49144.0000.....	5				
12422.0006.....	11	48424.1000.....	5				
12928.0000.....	9	48426.1000.....	5				
20203.0100.....	9	48429.0000.....	5				
24600.0000.....	5	48430.0000.....	5				
28526.1000.....	13	48432.0000.....	5				
28526.1001.....	13	48490.0001.....	7				
28526.1002.....	13	48617.1000.....	5				
28526.1003.....	13	48755.1001.....	7				
28526.1004.....	13	48825.0000.....	15				
28526.1005.....	13	48826.1000.....	7				
28891.1011.....	9	48840.1000.....	7				
29329.1000.....	9	48897.1000.....	7				
32283.0000.....	11	48899.1001.....	11				
33801.0003.....	9	48961.0000.....	11				
36285.0000.....	15	48987.0000.....	15				
36381.0011.....	15	48988.0000.....	15				
36536.1000.....	7	48989.0001.....	15				
36630.1000.....	13	48990.0000.....	15				
36630.1001.....	13	48991.0000.....	15				
36630.1002.....	13	48992.0000.....	15				
37280.0001.....	5	48993.0000.....	15				
37297.0006.....	11	48994.0000.....	15				
37881.0002.....	5	48995.0000.....	15				
38316.1000.....	11	48998.0000.....	15				
39590.0000.....	9	48999.0000.....	15				
39984.1001.....	11	49001.1000.....	15				
40752.1001.....	11	49002.0000.....	15				
40935.0000.....	11	49014.0000.....	11				
41089.0000.....	9	49109.0000.....	9				
42781.0000.....	11	49211.0000.....	7				
42916.1000.....	7,13	49245.0000.....	5				
42916.1001.....	7,13	49266.0000.....	15				
42916.1002.....	7,13	49276.0000.....	15				
42916.1004.....	7,13	49278.1000.....	5				
42918.1000.....	9,13	49371.1003.....	15				
42918.1001.....	9,13	49752.0000.....	7				