



# CATALOG OF REPLACEMENT PARTS



## HL400 LEGACY MIXER

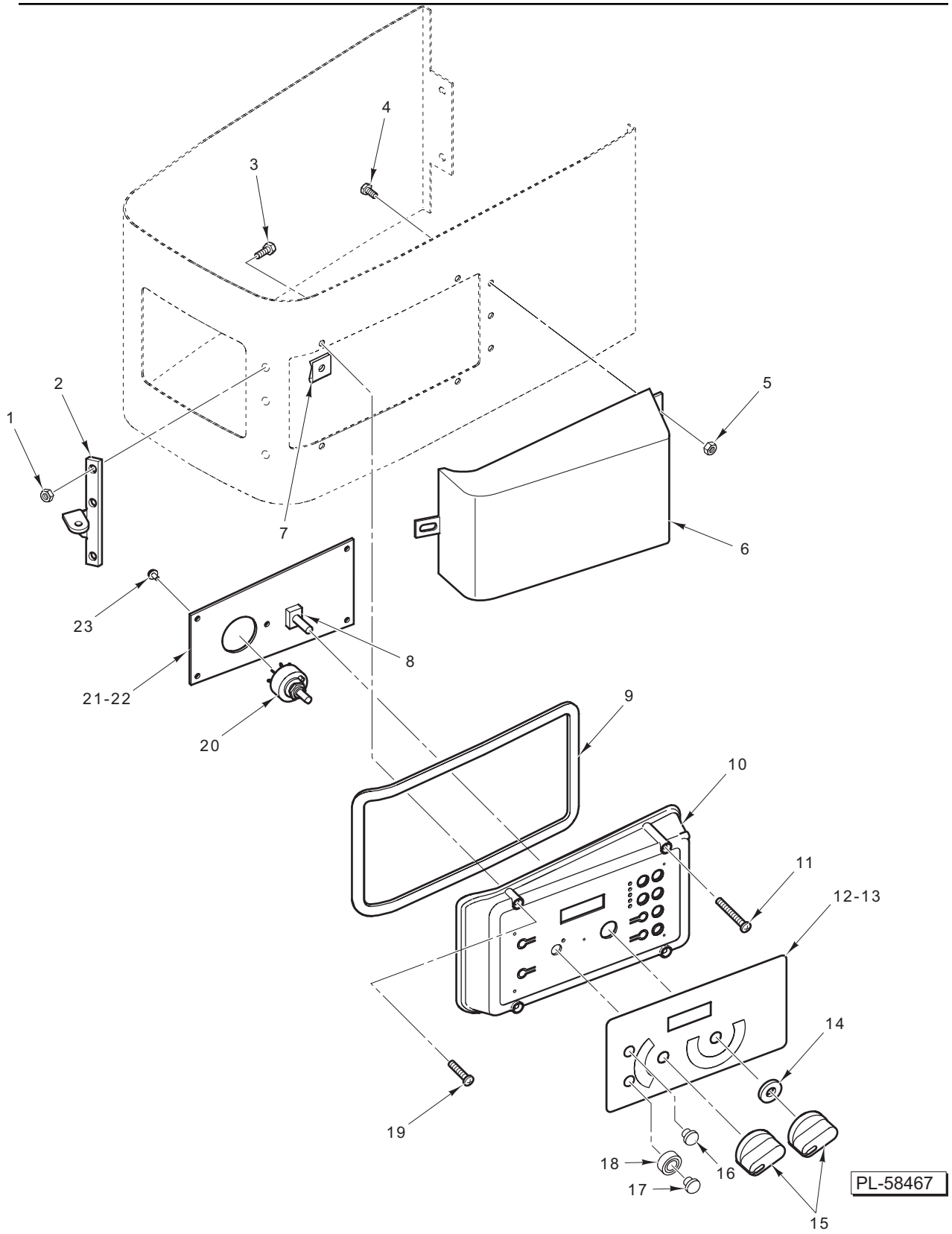
HL400  
HL400C

ML-134348  
ML-134359



**Table Of Contents**

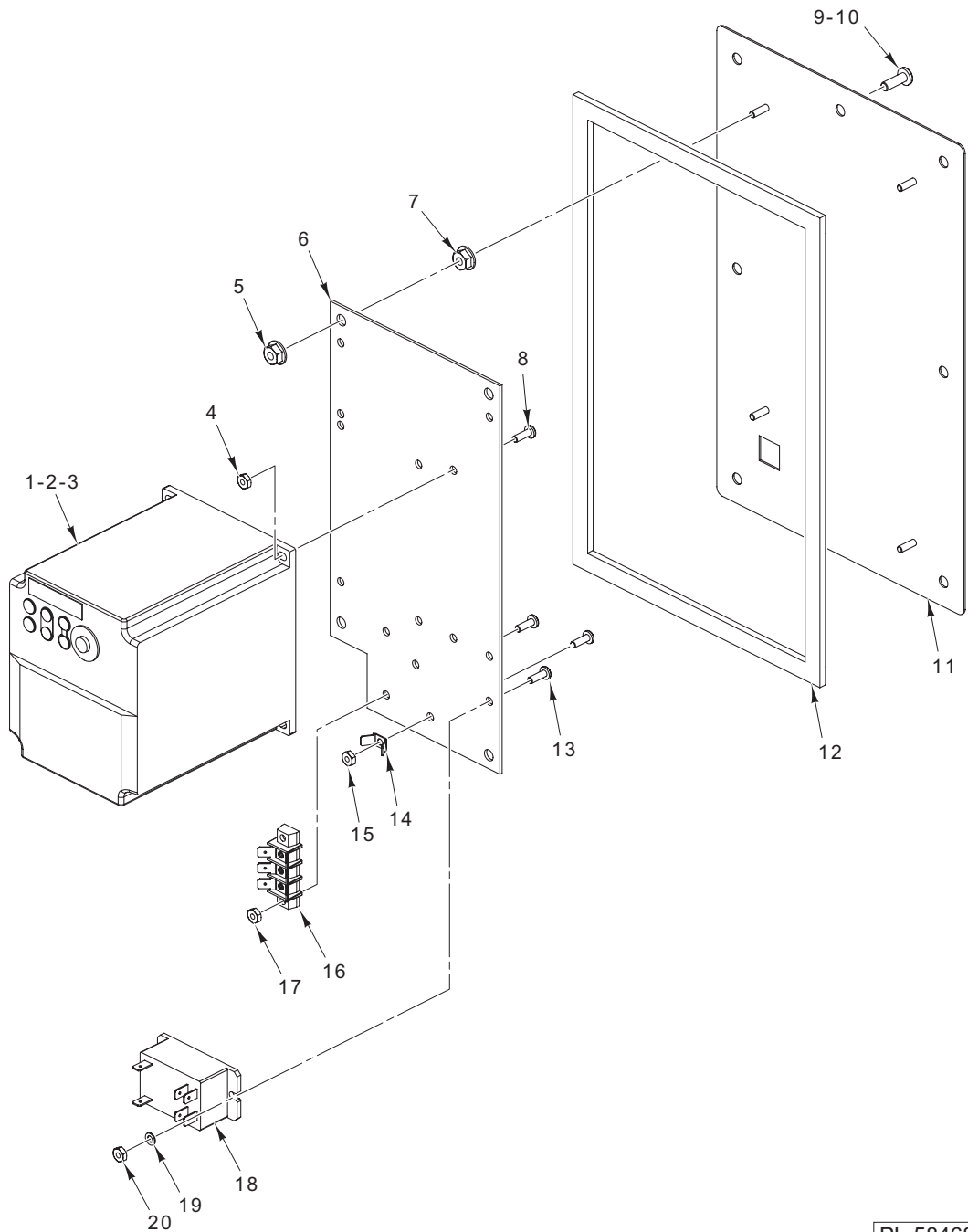
|    |                             |
|----|-----------------------------|
| 5  | CONTROL PANEL               |
| 7  | ELECTRICAL COMPONENTS       |
| 9  | BASE AND PEDESTAL           |
| 10 | ATTACHMENT HUB              |
| 11 | TRANSMISSION CASE AND MOTOR |
| 13 | TRANSMISSION                |
| 15 | PLANETARY                   |
| 17 | BOWL SUPPORT                |
| 19 | BOWL AND BOWL GUARD         |
| 20 | AGITATORS AND ACCESSORIES   |



**CONTROL PANEL**

**CONTROL PANEL**

| ILLUS.   | PART NO.        | NAME OF PART   | AMT. |
|----------|-----------------|--|------|
| PL-58467 |                 |  |      |
| 1        | NS-038-13       | Lock Nut 10-24 (ML-134359).....                                | 3    |
| 2        | 00-916759       | Latch (ML-134359) .....  | 1    |
| 3        | SC-128-69       | Mach. Screw 10-24 x 3/8 Tx. Button Hd. (ML-134359) .....       | 3    |
| 4        | SC-128-69       | Mach. Screw 10-24 x 3/8 Tx. Button Hd. (ML-134359) .....       | 3    |
| 5        | NS-038-13       | Lock Nut 10-24 (ML-134359).....                                | 3    |
| 6        | 00-916760       | Cover – Security (ML-134359).....                              | 1    |
| 7        | 00-874338       | Fastener – Self Retaining .....                                | 4    |
| 8        | 00-916594       | Potentiometer Assy. ....                                       | 1    |
| 9        | 00-916613       | Seal – Control Panel .....                                     | 1    |
| 10       | 00-916622       | Panel – Control .....  | 1    |
| 11       | SC-128-40       | Mach. Screw 8-32 x 2 1/4 Phil. Oval Hd. (SST) (ML-134359)..... | 2    |
| 12       | 00-916575       | Overlay – Standard .....                                       | 1    |
| 13       | 00-916528       | Overlay – Recipe .....   | 1    |
| 14       | WS-031-55       | Washer.....  | 1    |
| 15       | 00-874809       | Knob .....   | 2    |
| 16       | 00-916592       | Switch – Sealed Dome (Stop).....                               | 1    |
| 17       | 00-916593       | Switch – Sealed Dome (Start) .....                             | 1    |
| 18       | 00-916958-00002 | Guard – Switch .....   | 1    |
| 19       | SC-128-39       | Mach. Screw 8-32 x 1 1/2 Phil. Oval Hd. (SST) (ML-134348)..... | 2    |
| 20       | 00-916923       | Switch Assy. – Selector.....                                   | 1    |
| 21       | 00-916611       | PCB Assy. (Standard) .....                                     | 1    |
| 22       | 00-916491       | PCB Assy. (Recipe Timer).....                                  | 1    |
| 23       | SD-039-23       | Self-Tapping Screw 6-32 x 1/4 Hex Hd. Type RL.....             | 5    |
|          | 00-916566-00001 | Harness – Switch .....   | 1    |

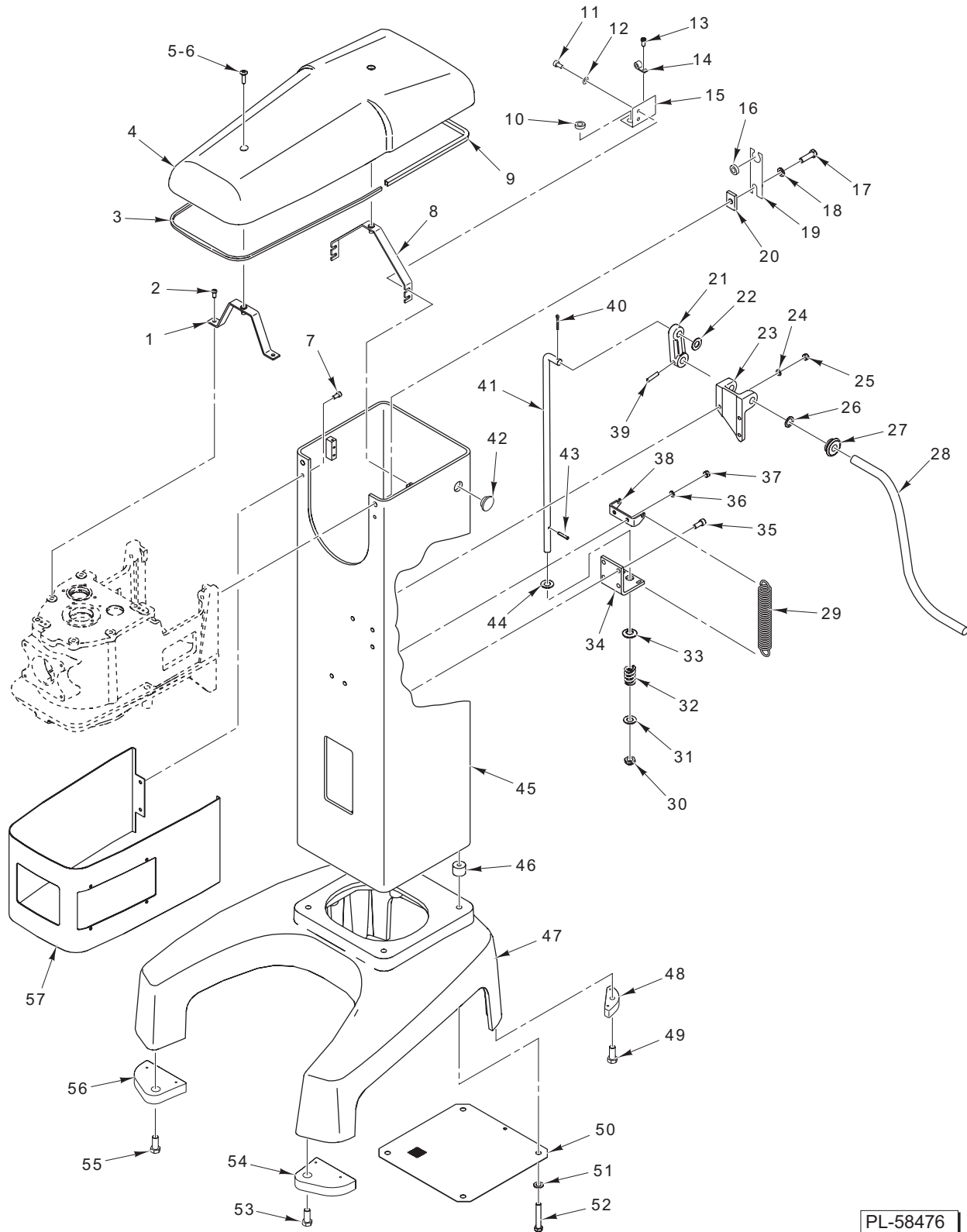


PL-58468

**ELECTRICAL COMPONENTS**

**ELECTRICAL COMPONENTS**

| ILLUS.   | PART NO.        | NAME OF PART  | AMT. |
|----------|-----------------|---|------|
| PL-58468 |                 |   |      |
| 1        | 00-916526-00001 | Controller (200/230 V., 50/60 Hz., 1 Ph.).....                    | 1    |
| 2        | 00-916527-00001 | Controller (200/230 V., 50/60 Hz., 3 Ph.).....                    | 1    |
| 3        | 00-916527-00002 | Controller (380/480 V., 50/60 Hz., 3 Ph.).....                    | 1    |
| 4        | NS-009-12       | Nut 8-32 Hex.....   | 4    |
| 5        | NS-038-04       | Lock Nut 1/4-20.....  | 4    |
| 6        | 00-916871       | Plate – Controller Mounting.....                                  | 1    |
| 7        | NS-038-04       | Lock Nut 1/4-20.....  | 4    |
| 8        | SC-018-34       | Mach. Screw 8-32 x 1/2 Phil. Pan Hd.....                          | 4    |
| 9        | SC-053-46       | Mach. Screw 1/4-20 x 3/4 Slotted Truss Hd. (SST) (ML-134348)..... | 7    |
| 10       | SC-128-74       | Mach. Screw 1/4-20 x 5/8 Tx. Button Hd. (SST) (ML-134359).....    | 7    |
| 11       | 00-916772-00002 | Cover – Back & Studs (200/230 V., 50/60 Hz., 1 Ph.).....          | 1    |
| 12       | 00-557188       | Foam – Tape.....  | AR   |
| 13       | SC-018-34       | Mach. Screw 8-32 x 1/2 Phil. Pan Hd.....                          | 5    |
| 14       | 00-065890-00090 | Terminal.....   | 1    |
| 15       | NS-009-12       | Nut 8-32 Hex.....   | 1    |
| 16       | 00-916269       | Block – Terminal.....   | 1    |
| 17       | NS-009-12       | Nut 8-32 Hex.....   | 2    |
| 18       | 00-087714-042-5 | Relay (2-Pole, 30 Amp.).....                                      | 1    |
| 19       | WS-023-48       | Washer.....   | 2    |
| 20       | NS-009-12       | Nut 8-32 Hex.....   | 2    |
|          | 00-874833-00002 | Cord & Plug Assy.....   | 1    |
|          | FE-026-34       | Strain Relief – Electrical.....                                   | 1    |
|          | 00-916769       | Harness – Main.....   | 1    |



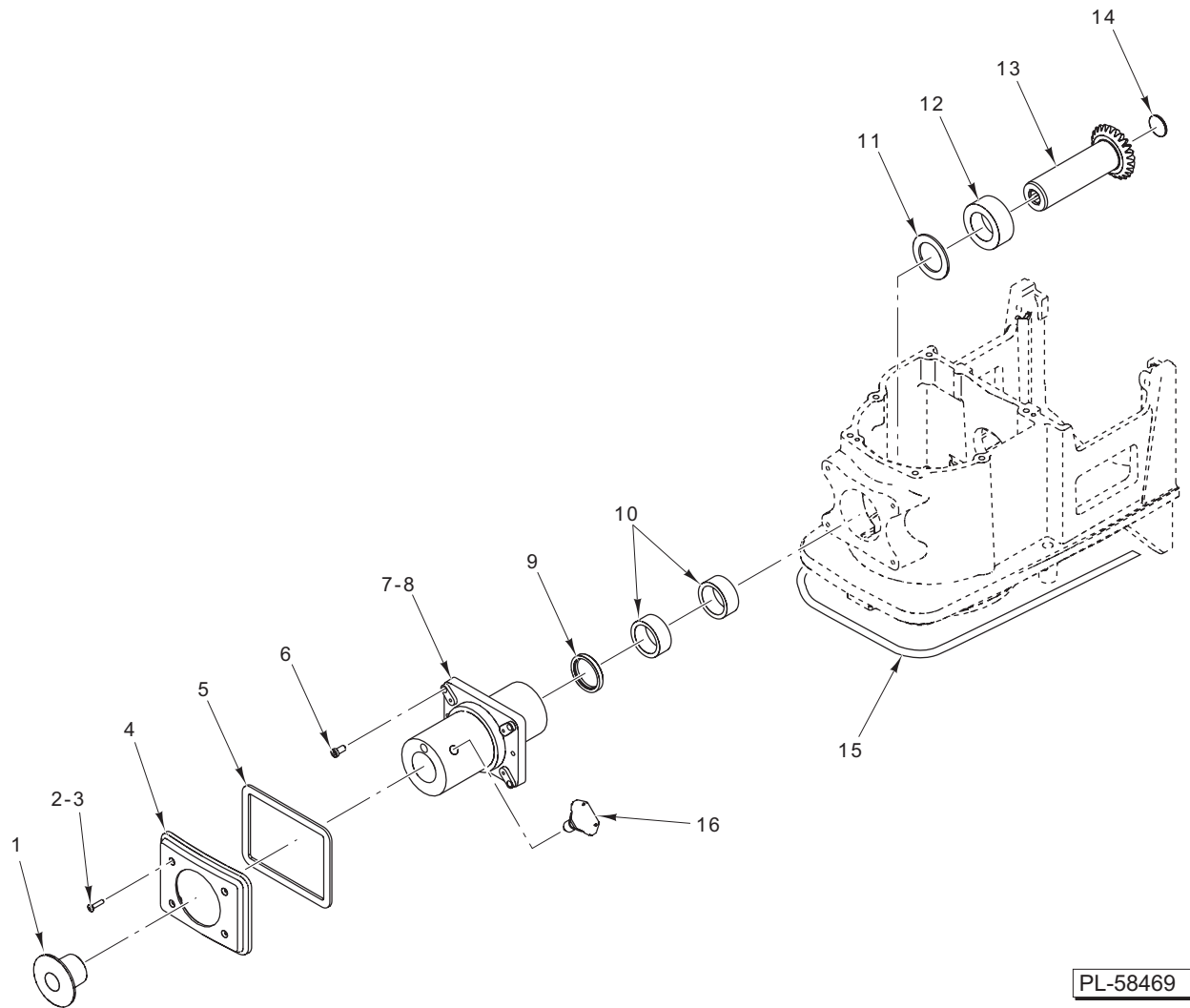
PL-58476

**BASE AND PEDESTAL**



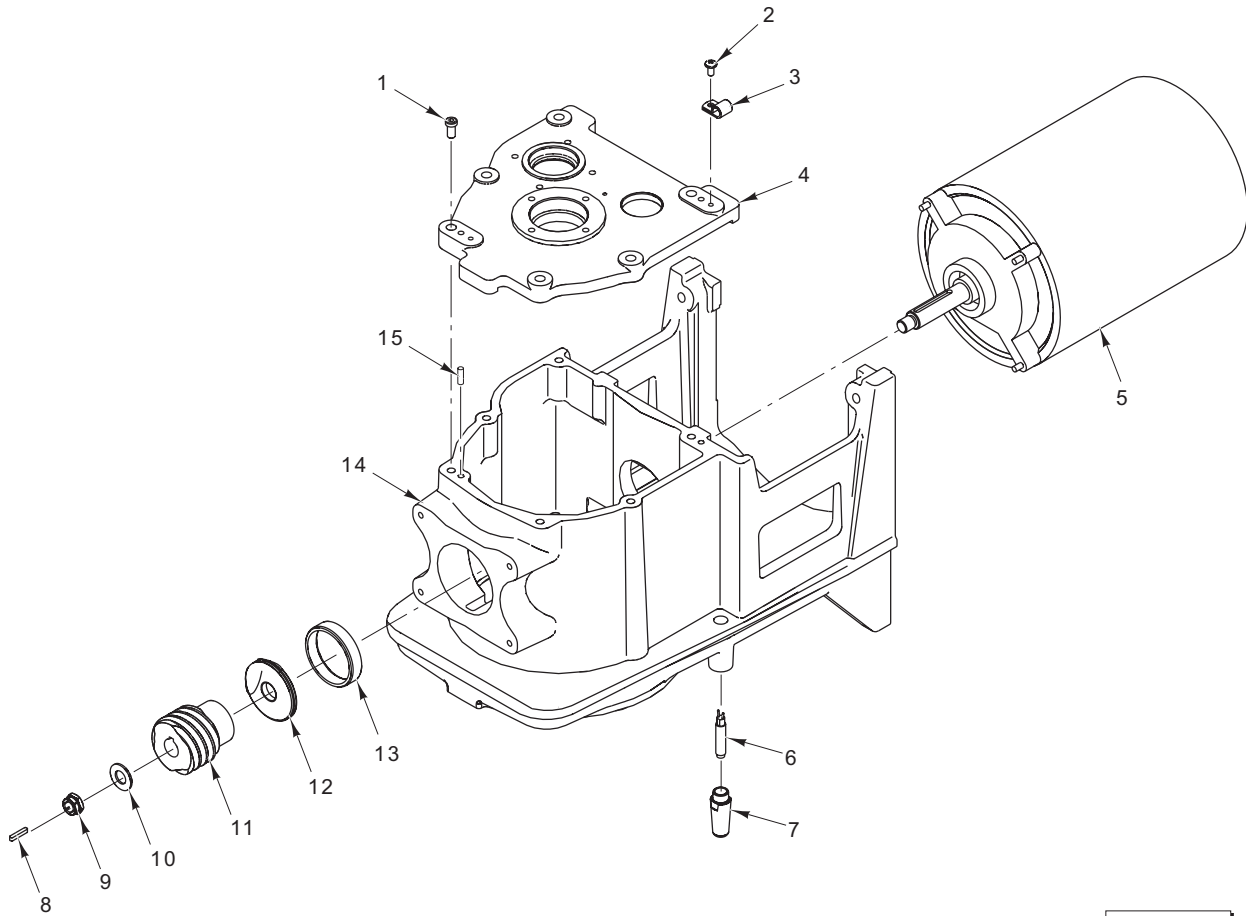
**BASE AND PEDESTAL**

| ILLUS.<br>PL-58476 | PART NO.        | NAME OF PART   | AMT. |
|--------------------|-----------------|--|------|
| 1                  | 00-916452       | Strap – Front Cover Mounting .....   | 1    |
| 2                  | SC-089-19       | Cap Screw <sup>5</sup> / <sub>16</sub> -18 x 1 <sup>3</sup> / <sub>8</sub> Hex Socket Hd. .... | 2    |
| 3                  | 00-874512-00003 | Seal – Top Cover .....   | 1    |
| 4                  | 00-916440       | Cover – Top.....   | 1    |
| 5                  | SC-120-29       | Mach. Screw <sup>1</sup> / <sub>4</sub> -20 x 1 Phil. Oval Hd. (ML-134348).....                | 2    |
| 6                  | SC-128-64       | Mach. Screw <sup>1</sup> / <sub>4</sub> -20 x 1 Tx. Flat Hd. (SST) (ML-134359) .....           | 2    |
| 7                  | SC-089-01       | Cap Screw <sup>1</sup> / <sub>4</sub> -20 x <sup>1</sup> / <sub>2</sub> Hex Socket Hd. ....    | 2    |
| 8                  | 00-916454       | Strap – Rear Cover Mounting.....   | 1    |
| 9                  | 00-916535-00001 | Seal – Top Cover .....   | 1    |
| 10                 | FE-021-13       | Bushing – Split Electric.....  | 1    |
| 11                 | SC-089-01       | Cap Screw <sup>1</sup> / <sub>4</sub> -20 x <sup>1</sup> / <sub>2</sub> Hex Socket Hd.....     | 4    |
| 12                 | WS-003-19       | Washer.....  | 4    |
| 13                 | SD-019-23       | Self-Tapping Screw 10-16 x <sup>3</sup> / <sub>8</sub> Phil. Pan Hd. Type B .....              | 1    |
| 14                 | 00-078752-00009 | Clamp – Cable.....   | 1    |
| 15                 | 00-916813       | Plate – Electric Connection.....   | 1    |
| 16                 | FE-021-13       | Bushing – Split Electric.....  | 1    |
| 17                 | SC-118-09       | Cap Screw <sup>3</sup> / <sub>8</sub> -16 x 1 <sup>1</sup> / <sub>4</sub> Hex Hd. ....         | 6    |
| 18                 | WL-004-06       | Lockwasher <sup>3</sup> / <sub>8</sub> Helical.....  | 6    |
| 19                 | 00-916815       | Plate – Wire Routing.....  | 1    |
| 20                 | 00-271340       | Bar – Reinforcing .....  | 6    |
| 21                 | 00-916467       | Arm – Bowl Lift.....   | 1    |
| 22                 | WS-008-47       | Washer.....  | 1    |
| 23                 | 00-916442       | Block – Bowl Lift Bearing.....   | 1    |
| 24                 | WL-003-38       | Lockwasher <sup>1</sup> / <sub>4</sub> Helical.....  | 3    |
| 25                 | NS-013-02       | Nut <sup>1</sup> / <sub>4</sub> -20 Hex .....  | 3    |
| 26                 | WS-020-01       | Washer (SST).....  | 1    |
| 27                 | 00-271343       | Grommet – Handle .....   | 1    |
| 28                 | 00-916482       | Handle – Bowl Lift.....  | 1    |
| 29                 | 00-916463       | Spring – Bowl Lift.....  | 2    |
| 30                 | NS-031-39       | Stop Nut <sup>1</sup> / <sub>2</sub> -20 .....   | 1    |
| 31                 | WS-008-47       | Washer.....  | 1    |
| 32                 | 00-070104       | Spring – Bowl Lift.....  | 1    |
| 33                 | 00-070131       | Washer – Cup Bowl Lift .....   | 1    |
| 34                 | 00-916469       | Bracket – Bowl Lift Support .....  | 1    |
| 35                 | SC-040-14       | Cap Screw <sup>5</sup> / <sub>16</sub> -18 x <sup>3</sup> / <sub>4</sub> Hex Socket Hd. ....   | 4    |
| 36                 | WL-003-38       | Lockwasher <sup>1</sup> / <sub>4</sub> Helical.....  | 2    |
| 37                 | NS-013-02       | Nut <sup>1</sup> / <sub>4</sub> -20 Hex .....  | 2    |
| 38                 | 00-916449       | Hook – Bowl Lift Spring .....  | 1    |
| 39                 | RP-002-26       | Pin – Roll .....   | 1    |
| 40                 | PC-006-13       | Cotter Pin.....  | 1    |
| 41                 | 00-916468       | Rod – Bowl Lift.....   | 1    |
| 42                 | PB-005-30       | Plug – Button .....  | 1    |
| 43                 | RP-002-10       | Pin – Roll .....   | 1    |
| 44                 | WS-008-47       | Washer.....  | 1    |
| 45                 | 00-916364-00004 | Column .....   | 1    |
| 46                 | 00-916508       | Lug – Threaded Column .....  | 4    |
| 47                 | 00-916213-00004 | Base.....  | 1    |
| 48                 | 00-916309       | Pad – Rear.....  | 2    |
| 49                 | SC-110-36       | Cap Screw <sup>3</sup> / <sub>8</sub> -16 x 1 Hex Hd. ....                                     | 2    |
| 50                 | 00-916549       | Screen – Air Floor .....   | 1    |
| 51                 | WS-018-24       | Washer.....  | 4    |
| 52                 | SC-097-53       | Cap Screw <sup>3</sup> / <sub>8</sub> -16 x 2 <sup>1</sup> / <sub>4</sub> Hex Hd.....          | 4    |
| 53                 | SC-110-36       | Cap Screw <sup>3</sup> / <sub>8</sub> -16 x 1 Hex Hd.....                                      | 1    |
| 54                 | 00-916308       | Pad – Front (RH) .....   | 1    |
| 55                 | SC-110-36       | Cap Screw <sup>3</sup> / <sub>8</sub> -16 x 1 Hex Hd.....                                      | 1    |
| 56                 | 00-916307       | Pad – Front (LH).....  | 1    |
| 57                 | 00-916387       | Wrapper – Transmission.....  | 1    |
|                    | 00-916546       | Kit – Pad Corrosion Protection .....   | 1    |
|                    | 00-916353       | Kit – Foot Pad.....  | 1    |



**ATTACHMENT HUB**

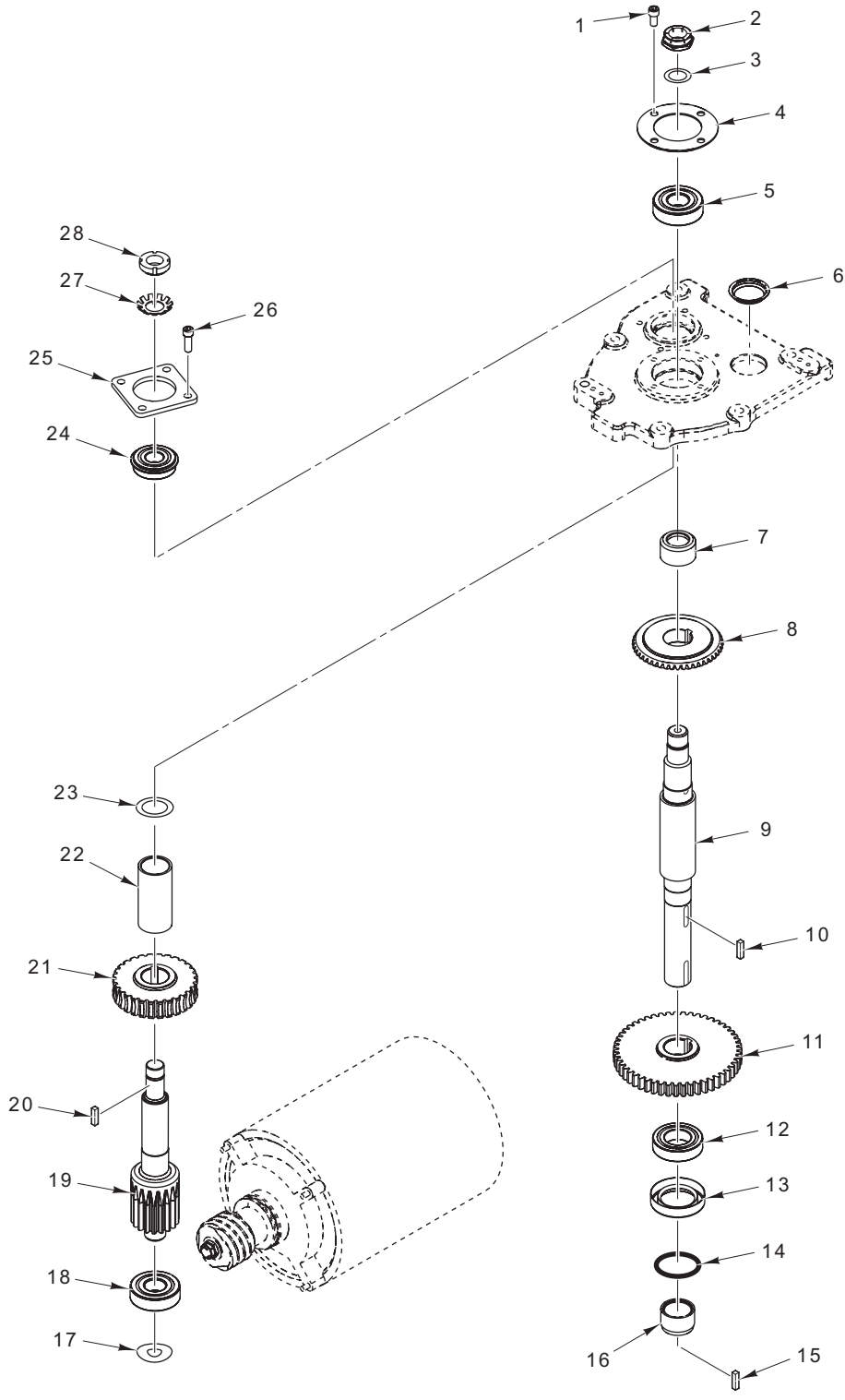
| ILLUS.   | PART NO.        | NAME OF PART   | AMT. |
|----------|-----------------|--|------|
| PL-58469 |                 |  |      |
| 1        | 00-114824-00001 | Plug – Attachment.....                                       | 1    |
| 2        | SC-079-04       | Mach. Screw 8-32 x 3/4 Phil. Oval Hd. (SST) (ML-134348)..... | 4    |
| 3        | SC-128-85       | Mach. Screw 8-32 x 3/4 Tx. Flat Hd. (SST) (ML-134359).....   | 4    |
| 4        | 00-873973-00002 | Panel – Front.....   | 1    |
| 5        | 00-875813       | Seal – Front Cover.....                                      | 1    |
| 6        | SC-040-09       | Cap Screw 1/4-20 x 1 1/4 Hex Socket Hd.....                  | 4    |
| 7        | 00-916384-00002 | Hub – Attachment.....  | 1    |
| 8        | OR-001-09       | O-Ring.....  | 1    |
| 9        | 00-916733       | Seal – Attachment Hub.....                                   | 1    |
| 10       | BN-005-11       | Bearing – Needle.....  | 2    |
| 11       | 00-061920-00009 | Washer.....  | 1    |
| 12       | BB-013-03       | Bearing – Ball.....  | 1    |
| 13       | 00-916601       | Gear – Drive Attachment (Incls. Item 14).....                | 1    |
| 14       | PL-003-17       | Plug – Expansion.....  | 1    |
| 15       | 00-874925-00005 | Seal – Neopreme.....   | 1    |
| 16       | 00-108197-00001 | Screw – Thumb.....   | 1    |



PL-58470

**TRANSMISSION CASE AND MOTOR**

| ILLUS.   | PART NO.        | NAME OF PART   | AMT. |
|----------|-----------------|--|------|
| PL-58470 |                 |  |      |
| 1        | SC-040-15       | Cap Screw $\frac{5}{16}$ -18 x $1\frac{1}{4}$ Hex Socket Hd..... | 6    |
| 2        | SC-018-62       | Mach. Screw 10-24 x $\frac{3}{8}$ Phil. Pan Hd.....              | 1    |
| 3        | 00-078752-00003 | Clamp – Cable.....   | 1    |
| 4        | 00-916324-00002 | Cover – Top.....   | 1    |
| 5        | 00-916447       | Motor.....   | 1    |
| 6        | 00-087711-00352 | Switch – Reed.....   | 1    |
| 7        | 00-916533       | Holder – Reed Switch.....  | 1    |
| 8        | 00-012430-00069 | Key $\frac{3}{16}$ X $\frac{3}{16}$ X $1\frac{39}{64}$ .....     | 1    |
| 9        | NS-032-23       | Lock Nut $\frac{7}{16}$ -20 Special.....                         | 1    |
| 10       | WS-021-08       | Washer.....  | 1    |
| 11       | 00-916338       | Worm – Motor.....  | 1    |
| 12       | 00-916388       | Deflector – Grease (LH).....                                     | 1    |
| 13       | 00-916445       | Bushing – Motor.....   | 1    |
| 14       | 00-916326-00004 | Transmission.....  | 1    |
| 15       | 00-011800-00187 | Dowel.....   | 2    |

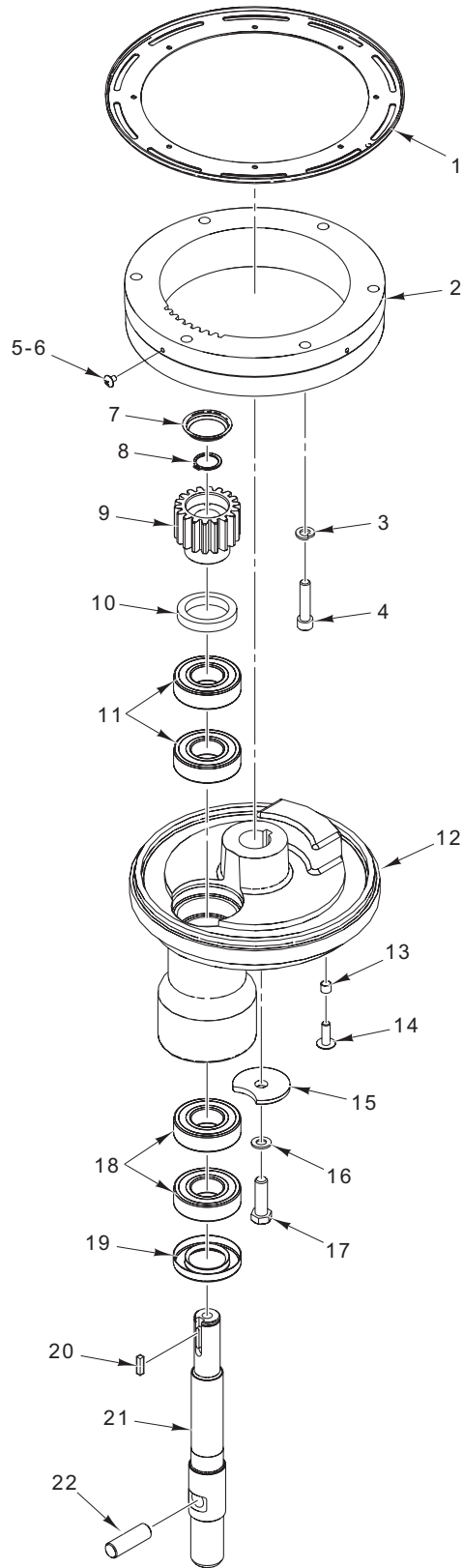


PL-58471

**TRANSMISSION**

**TRANSMISSION**

| ILLUS.   | PART NO.        | NAME OF PART                               | AMT. |
|----------|-----------------|--|------|
| PL-58471 |                 |  |      |
| 1        | SC-089-01       | Cap Screw 1/4-20 x 1/2 Hex Socket Hd. .... | 4    |
| 2        | NS-034-06       | Lock Nut 3/16-32.....                      | 1    |
| 3        | WL-012-06       | Lockwasher – Bearing .....                 | 1    |
| 4        | 00-916439       | Retainer – Planetary .....                 | 1    |
| 5        | BB-017-39       | Bearing – Ball .....                       | 1    |
| 6        | 00-064871       | Plug – Friction.....                       | 1    |
| 7        | 00-916356       | Spacer – Upper Planetary .....             | 1    |
| 8        | 00-271234-00002 | Gear – Planetary Shaft Bevel .....         | 1    |
| 9        | 00-916342       | Shaft – Planetary .....                    | 1    |
| 10       | 00-012430-00143 | Key.....                                   | 1    |
| 11       | 00-916341       | Gear – Helical (51T) .....                 | 1    |
| 12       | 00-067500-00070 | O-Ring .....                               | 1    |
| 13       | BB-015-36       | Bearing – Ball .....                       | 1    |
| 14       | 00-271341       | Seal – Planetary .....                     | 1    |
| 15       | 00-012430-00173 | Key.....                                   | 1    |
| 16       | 00-437599       | Seal – Hub .....                           | 1    |
| 17       | SL-005-04       | Spring – Loading.....                      | 1    |
| 18       | BB-020-06       | Bearing – Ball .....                       | 1    |
| 19       | 00-916340       | Shaft – Worm Gear.....                     | 1    |
| 20       | 00-012430-00138 | Key.....                                   | 1    |
| 21       | 00-916339       | Gear – Worm .....                          | 1    |
| 22       | 00-916358       | Spacer – Upper Input Shaft .....           | 1    |
| 23       | 00-916357       | Spacer – Input Shaft .....                 | 1    |
| 24       | BB-021-21       | Bearing – Ball .....                       | 1    |
| 25       | 00-916438       | Retainer – Wormwheel .....                 | 1    |
| 26       | SC-089-02       | Cap Screw 1/4-20 x 3/4 Hex Socket Hd. .... | 4    |
| 27       | WL-012-04       | Lockwasher.....                            | 1    |
| 28       | NS-034-04       | Lock Nut 3/4-16 .....                      | 1    |

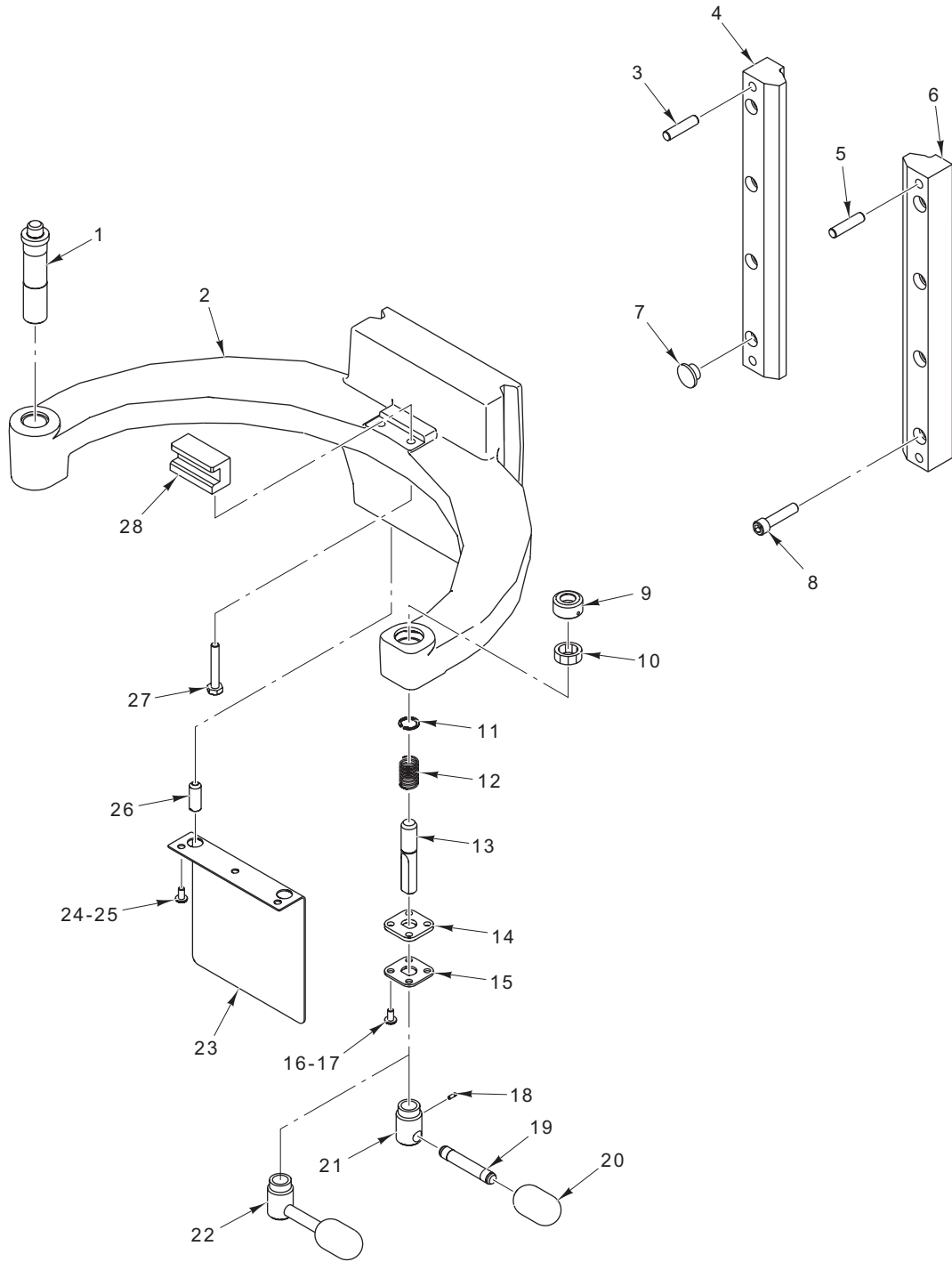


PL-58472

**PLANETARY**

**PLANETARY**

| ILLUS.   | PART NO.        | NAME OF PART   | AMT. |
|----------|-----------------|--|------|
| PL-58472 |                 |  |      |
| 1        | 00-916363       | Flange – Dripcup .....   | 1    |
| 2        | 00-916416-00002 | Gear – Internal .....  | 1    |
| 3        | WL-003-48       | Lockwasher <sup>5</sup> / <sub>16</sub> Helical .....  | 6    |
| 4        | SC-089-19       | Cap Screw <sup>5</sup> / <sub>16</sub> -18 x 1 <sup>3</sup> / <sub>8</sub> Hex Socket Hd. ....         | 6    |
| 5        | SC-066-13       | Mach. Screw 8-32 x <sup>1</sup> / <sub>4</sub> Phil. Truss Hd. (SST) (ML-134348).....                  | 3    |
| 6        | SC-128-73       | Mach. Screw 8-32 x <sup>1</sup> / <sub>4</sub> Tx. Button Hd. (ML-134359).....                         | 3    |
| 7        | 00-064871       | Plug – Friction.....   | 1    |
| 8        | RR-012-26       | Retaining Ring .....   | 1    |
| 9        | 00-916444       | Pinion – Planetary.....  | 1    |
| 10       | 00-916455       | Seal – Planetary Upper.....  | 1    |
| 11       | BB-017-39       | Bearing – Ball .....   | 2    |
| 12       | 00-916436       | Planetary.....   | 1    |
| 13       | 00-874770       | Spacer – Bowl Scraper .....  | 2    |
| 14       | SC-053-46       | Mach. Screw <sup>1</sup> / <sub>4</sub> -20 x <sup>3</sup> / <sub>4</sub> Slotted Truss Hd. (SST)..... | 2    |
| 15       | 00-070047-00001 | Washer – Planetary .....   | 1    |
| 16       | WL-006-27       | Lockwasher <sup>3</sup> / <sub>8</sub> Helical .....   | 1    |
| 17       | SC-062-58       | Cap Screw <sup>3</sup> / <sub>8</sub> -24 x 1 <sup>1</sup> / <sub>4</sub> Hex Socket Hd. ....          | 1    |
| 18       | BB-017-26       | Bearing – Ball .....   | 2    |
| 19       | 00-439286       | Seal – Planetary .....   | 1    |
| 20       | 00-012430-00149 | Key.....   | 1    |
| 21       | 00-916458       | Shaft – Agitator .....   | 1    |
| 22       | 00-070019       | Pin – Agitator .....   | 1    |



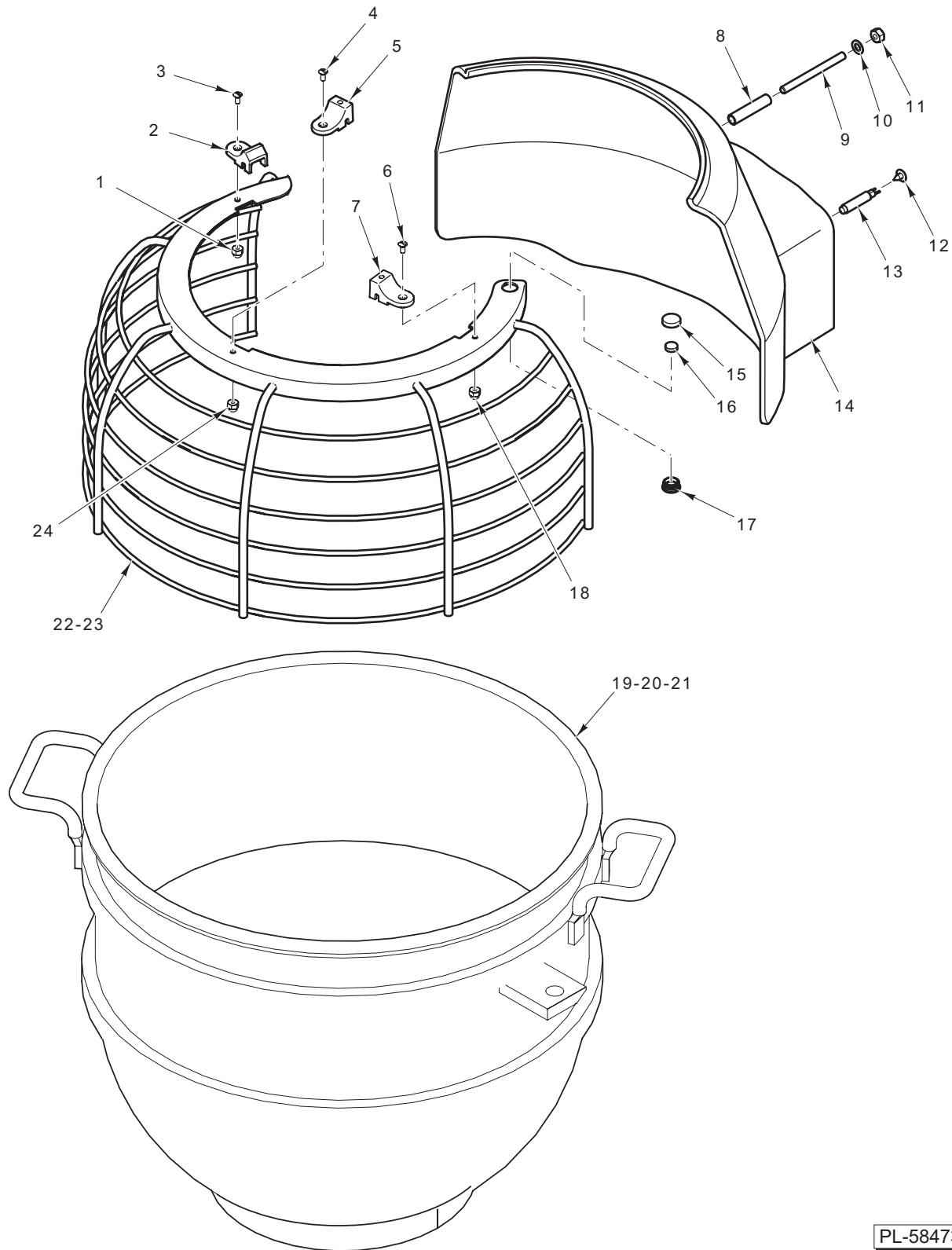
PL-58474

**BOWL SUPPORT**



**BOWL SUPPORT**

| ILLUS.<br>PL-58474 | PART NO.        | NAME OF PART  | AMT. |
|--------------------|-----------------|---|------|
| 1                  | 00-916516       | Pin – Bowl (LH).....  | 1    |
| 2                  | 00-916497       | Support – Bowl .....  | 1    |
| 3                  | 00-011800-00141 | Dowel 1/16 x 1 3/16 .....                                     | 2    |
| 4                  | 00-916365-00001 | Slideway – Bowl Lift (LH).....                                | 1    |
| 5                  | 00-011800-00141 | Dowel 1/16 x 1 3/16 .....                                     | 2    |
| 6                  | 00-916365-00002 | Slideway – Bowl Lift (RH) .....                               | 1    |
| 7                  | PB-004-96       | Cap .....   | 8    |
| 8                  | SC-089-18       | Cap Screw 5/16-18 x 1 1/4 Hex Socket Hd.....                  | 8    |
| 9                  | 00-916501       | Ramp .....  | 1    |
| 10                 | 00-916502       | Bushing – Split.....  | 1    |
| 11                 | RR-012-30       | Retaining Ring .....  | 1    |
| 12                 | 00-916488       | Spring – Compression .....                                    | 1    |
| 13                 | 00-916505       | Pin – Bowl (RH) .....   | 1    |
| 14                 | 00-916550       | Glide – Bowl Release .....                                    | 1    |
| 15                 | 00-916506       | Plate – Bowl Release.....                                     | 1    |
| 16                 | SC-093-23       | Mach. Screw 10-24 x 3/8 Phil. Pan Hd. (SST) (ML-134348).....  | 3    |
| 17                 | SC-128-69       | Mach. Screw 10-24 x 3/8 Tx. Button Hd. (SST) (ML-134359)..... | 3    |
| 18                 | SC-047-74       | Set Screw 8-32 x 1/4 Hdls. Hex Hd. Cup Pt. ....               | 1    |
| 19                 | 00-916552       | Shaft – Bowl Pin Handle (ML-134348) .....                     | 1    |
| 20                 | 00-875356       | Handle – Lift Lever (Microban) (ML-134348).....               | 1    |
| 21                 | 00-916503       | Block – Bowl Handle (ML-134348) .....                         | 1    |
| 22                 | 00-916504-00002 | Handle – Security Bowl Release (ML-134359).....               | 1    |
| 23                 | 00-916470       | Apron – Lower .....   | 1    |
| 24                 | SC-093-23       | Mach. Screw 10-24 x 3/8 Phil. Pan Hd. (SST) (ML-134348).....  | 3    |
| 25                 | SC-128-69       | Mach. Screw 10-24 x 3/8 Tx. Button Hd. (SST) (ML-134359)..... | 3    |
| 26                 | SC-129-59       | Set Screw 3/8-16 x 1 Slotted Hdls., Flat Pt. ....             | 2    |
| 27                 | SC-097-15       | Cap Screw 1/4-20 x 1 3/8 Hex Hd.....                          | 2    |
| 28                 | 00-916515       | Catch – Rear Bowl.....  | 1    |

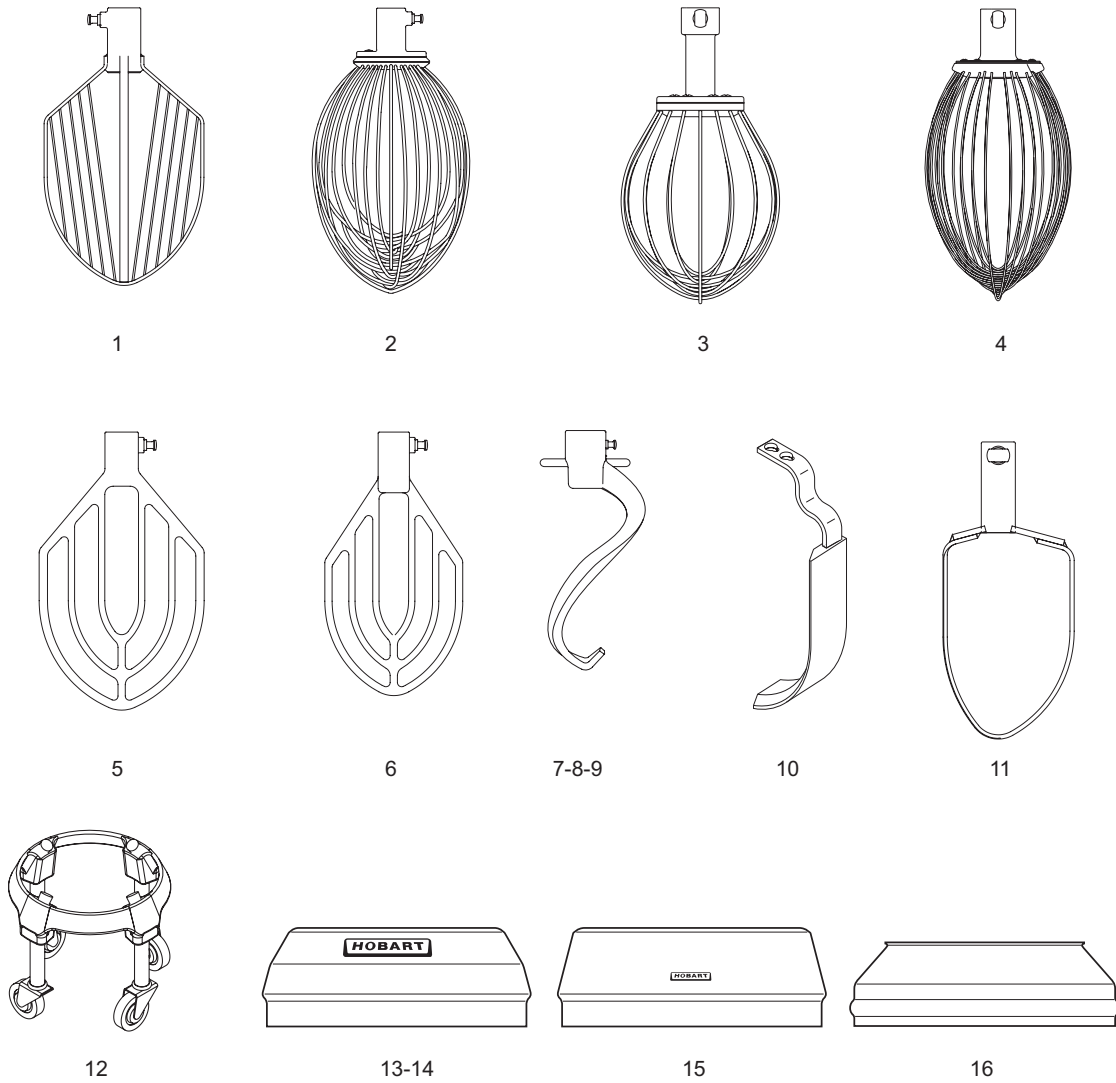


**BOWL AND BOWL GUARD**

PL-58473

**BOWL AND BOWL GUARD**

| ILLUS.<br>PL-58473 | PART NO.        | NAME OF PART   | AMT. |
|--------------------|-----------------|--|------|
| 1                  | NS-048-96       | Crown Nut 6-32 (SST) .....                                   | 1    |
| 2                  | 00-916424-00002 | Carrier – Wire Cage Bypass .....                             | 1    |
| 3                  | SC-129-39       | Mach. Screw 6-32 x 5/16 Slotted Oval Hd. (SST) .....         | 1    |
| 4                  | SC-129-39       | Mach. Screw 6-32 x 5/16 Slotted Oval Hd. (SST) .....         | 1    |
| 5                  | 00-916424-00001 | Carrier – Wire Cage Standard .....                           | 1    |
| 6                  | SC-129-39       | Mach. Screw 6-32 x 5/16 Slotted Oval Hd. (SST) .....         | 1    |
| 7                  | 00-916424-00001 | Carrier – Wire Cage Standard .....                           | 1    |
| 8                  | 00-916610       | Spacer – Splash Guard .....                                  | 4    |
| 9                  | 00-916671       | Rod – Splash Guard .....                                     | 4    |
| 10                 | WS-003-19       | Washer.....  | 8    |
| 11                 | NS-013-02       | Nut 1/4-20 Hex .....   | 4    |
| 12                 | SD-034-19       | Self-Tapping Screw 10-16 x 3/8 Phil. Truss Hd., Type AB..... | 1    |
| 13                 | 00-087711-00352 | Switch – Reed.....   | 1    |
| 14                 | 00-916407       | Guard – Splash Back.....                                     | 1    |
| 15                 | 00-874887       | Holder – Upper Magnet .....                                  | 1    |
| 16                 | 00-874875       | Magnet – Disc.....   | 1    |
| 17                 | 00-874886       | Holder – Lower Magnet .....                                  | 1    |
| 18                 | NS-048-96       | Crown Nut 6-32 (SST) .....                                   | 1    |
| 19                 | 00-916617       | Bowl Assy. (20 Qt.).....                                     | 1    |
| 20                 | 00-916616       | Bowl Assy. (30 Qt.).....                                     | 1    |
| 21                 | 00-916615       | Bowl Assy. (40 Qt.).....                                     | 1    |
| 22                 | 00-916422-00001 | Cage Assy. – Wire (ML-134348).....                           | 1    |
| 23                 | 00-916422-00002 | Cage Assy. – Security (ML-134359) .....                      | 1    |
| 24                 | NS-048-96       | Crown Nut 6-32 (SST) .....                                   | 1    |



PL-58475

**AGITATORS AND ACCESSORIES**

| ILLUS. | PART NO.        | NAME OF PART  | AMT. |
|--------|-----------------|---|------|
|        | PL-58475        |   |      |
| 1      | 00-916573       | "C" Wire Whip (30 & 40 Qt.) (Packaged) .....          | 1    |
| 2      | 00-916598       | "D" Wire Whip (20 Qt.) (Packaged) .....               | 1    |
| 3      | 00-916520       | "I" Wire Whip (30 & 40 Qt.) (Packaged) .....          | 1    |
| 4      | 00-916421       | "D" Wire Whip (30 & 40 Qt.) (Packaged) .....          | 1    |
| 5      | 00-916372       | "B" Beater (30 & 40 Qt.) (Packaged) .....             | 1    |
| 6      | 00-916582       | "B" Flat Beater (20 Qt.) (Packaged) .....             | 1    |
| 7      | 00-916827       | "ED" Dough Arm (20 Qt.) (Packaged) .....              | 1    |
| 8      | 00-916618-00001 | "ED" Hook (30 & 40 Qt.) (Packaged) .....              | 1    |
| 9      | 00-916618-00002 | "ED" Hook (40 Qt.) (Packaged) (SST) (ML-134348) ..... | 1    |
| 10     | 00-916839       | Bowl Scraper (40 Qt.) (Packaged) .....                | 1    |
| 11     | 00-916481       | "P" Pastry Knife (30 & 40 Qt.) (Packaged) .....       | 1    |
| 12     | 00-916883       | Bowl Truck Assy. ....                                 | 1    |
| 13     | 00-438079       | Splash Cover (20 Qt.) (Lexan) (Packaged) .....        | 1    |
| 14     | 00-438080       | Splash Cover (30 Qt.) (Lexan) (Packaged) .....        | 1    |
| 15     | 00-916897       | Splash Cover (40 Qt.) (Lexan) (Packaged) .....        | 1    |
| 16     | 00-875677       | Splash Cover (20 Qt.) (Packaged) (SST) .....          | 1    |
|        | 00-438607       | Chute – Ingredient (30 Qt.) (Packaged) .....          | 1    |
|        | 00-916684       | Chute – Ingredient (20 Qt.) (Packaged) .....          | 1    |
|        | 00-439096       | Chute – Ingredient (40 Qt.) (Packaged) .....          | 1    |