

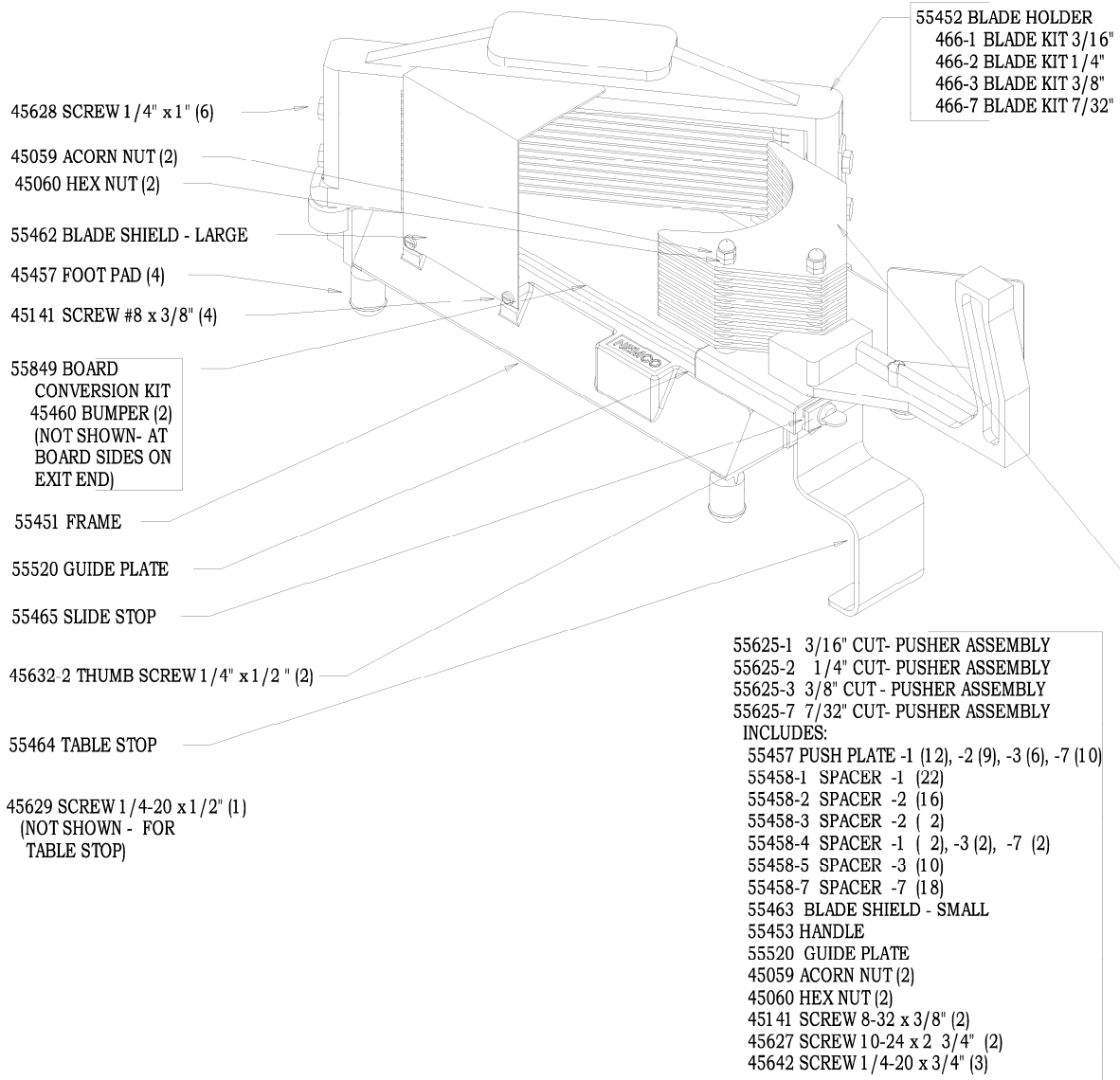
1. Be sure BLADE HOLDER ASSEMBLY is firmly mounted on the FRAME with the warning and the sharp side of the BLADES toward the PUSHER ASSEMBLY.
2. Be sure the hex head screws on the right side of the BLADE HOLDER (end with CAUTION SHARP BLADES) are tight.
3. Tighten the hex head screws on the left end of the BLADE HOLDER until the BLADES “ hum” when plucked. Gradually tighten the top and bottom screws until the top and bottom blades sound about the same when plucked or “ strummed”.

NOTICE: Check the Tension of the BLADES each time the machine is used to be sure they are tight. If not, tighten per (3) above.

**TO REPLACE BLADES** Instructions for BLADE replacement are provided with each BLADE KIT.

**IMPORTANT:** NEMCO recommends occasional application of mineral oil in the grooves of the slide board.

## 55600- ( ) EASY TOMATO SLICER



**NEMCO FOOD EQUIPMENT** 301 Meuse Argonne, Hicksville, OH 43526

Phone: (419) 542-7751

Fax : (419) 542-6690

Toll Free: 1-800-782-6761

46023

[www.nemcofoodequip.com](http://www.nemcofoodequip.com)

10-25-2006